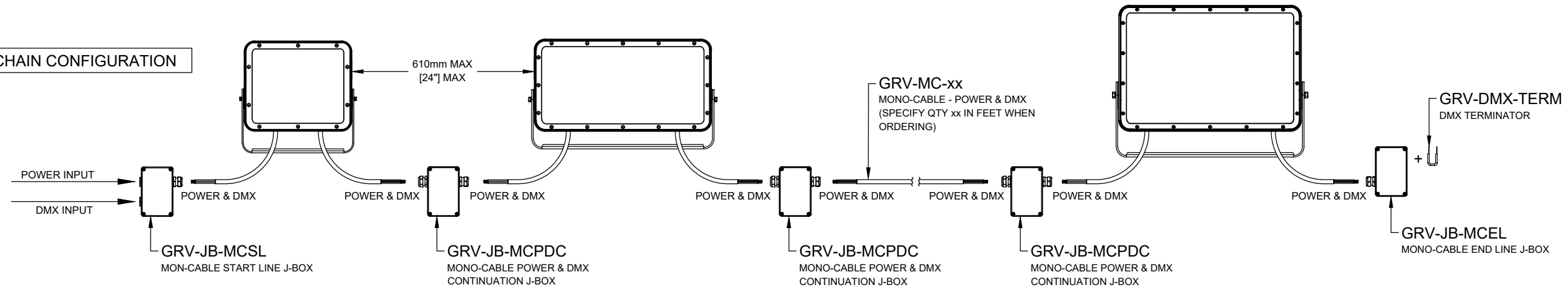
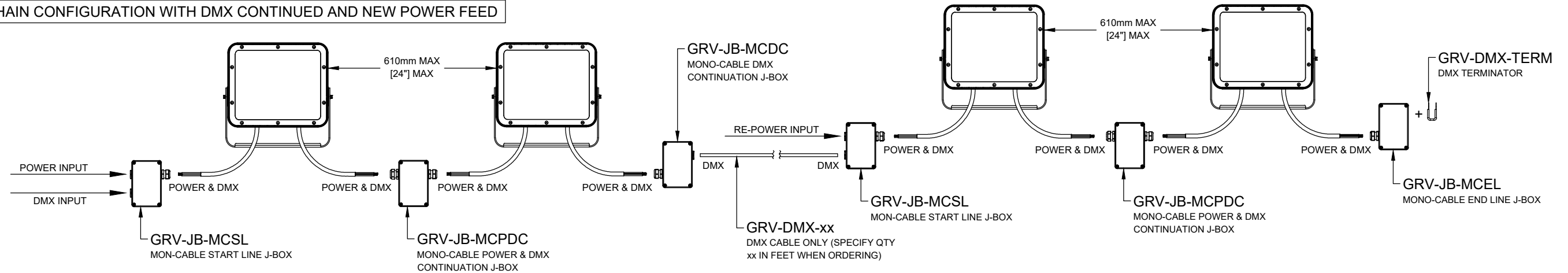


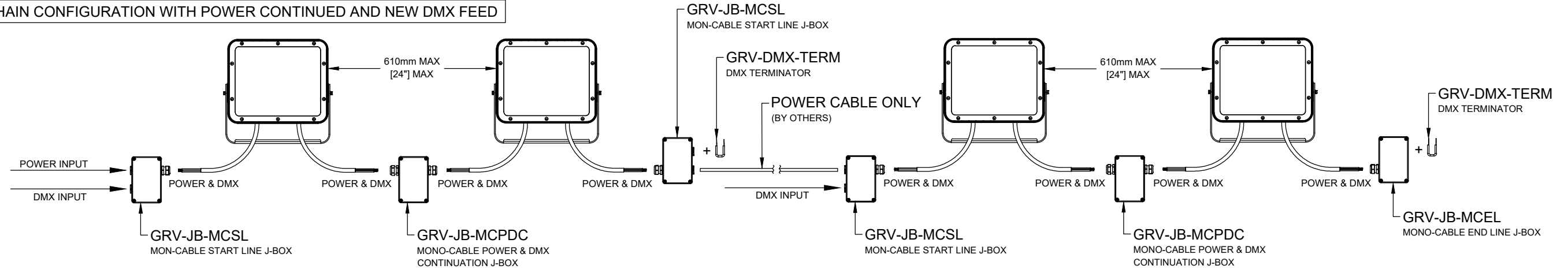
SINGLE CHAIN CONFIGURATION



MULTI-CHAIN CONFIGURATION WITH DMX CONTINUED AND NEW POWER FEED



MULTI-CHAIN CONFIGURATION WITH POWER CONTINUED AND NEW DMX FEED



- START LINE J-BOX: GRV-JB-MCSL
- CONTINUATION J-BOX: GRV-JB-MCPDC
- END LINE J-BOX: GRV-JB-MCEL
- DMX CONTINUATION J-BOX: GRV-JB-MCDC

- DMX TERMINATOR: GRV-DMX-TERM
- MONO-CABLE CABLE (POWER & DMX): GRV-MC-xx
- DMX CABLE: GRV-DMX-xx

- DMX/RDM REPEATER, 4-WAY, eDIN (NOT SHOWN): GRV-DMX/RDM-RPTR
- DMX/RDM REPEATER ENCLOSURE, IP67 (NOT SHOWN): GRV-IP67-ENCL
- DMX/RDM REPEATER 24Vdc POWER SUPPLY (NOT SHOWN): GRV-24VDC-PS

- POWER INPUT 120Vac OR 277Vac
- MAX 10 AMP PER DAISY CHAIN
- USE A DMX REPEATER AT EACH 32nd LUMINAIRE IN THE DAISY CHAIN OR WHEN THE DMX LINE LENGTH EXCEEDS 300M / [1,000 FT].



MONO-CABLE JUNCTION BOX CONFIGURATIONS FOR POWER & DMX/RDM