

DESCRIPTION

CAPITAL 100 US accentuates the designer's palette with an ultra-narrow 3.2° beam using 20 high-power LEDs fitted with precision optics. Grazing of vertical columnar features or illumination of objects at distance both benefit from the high-performance of this luminaire.



Date: _____ Type: _____ Catalog Number: _____

Project Name: _____

ORDERING INFORMATION

LUMINAIRE							
MODEL	CCT	CONTROL	CABLE	VOLTAGE	OPTIC	FINISH	OPTION
CP100US Capital 100 US	DW Dynamic White (2700K to 6500K)	DMX-RDM DMX/RDM	S Power in (7.9"), DMX in, DMX out (59")	UNV 120 & 277V	US Ultra Spot 3.2°	AG Anthracite Grey	AST Anti-Saline Treatment
CP100USPE Capital 100 US Polar Edition			M Monocable Without Connectors (19.7")			BL Black	3G 3G Mounting Yoke
			C Monocable With Connectors (19.7")			SG Griven Silver Grey	
						WH White	
						CC Custom RAL Color	

Custom options are available; consult factory via phone at (864) 487-3535 ext. 258 or via email at DesignServices@EXP-Brands.com.

See Page 5 for ordering information of available accessories.



		CAPITAL 100 US
PHYSICAL	HOUSING	Die-Cast Aluminum
	OVERALL DIMENSIONS	11.1" L x 3.2" W x 11.1" H
	WEIGHT	11.2 Pounds
	OPERATING TEMPERATURE	-40°F to 122°F (-40°C to 50°C)
	DRIVER LOCATION	Integral

ELECTRICAL	POWER	53 Watts		
	POWER SUPPLY	120 and 277VAC; 50-60Hz		
	CURRENT	0.44 amps at 120 volts 0.19 amps at 277 volts		
	CONTROL	DMX-RDM, Standalone Onboard Sequencing, or Master-Satellite Operation		
	CABLE	S Cable	M Cable	C Cable
		Power In, DMX In, DMX Out Cables	6-Polarity In and Out Power/Data Monocable Without Connectors	6-Polarity In and Out Power/Data Monocable With Connectors
	CABLE LENGTH	59"	19.7"	19.7"
	MODES	- DW (2 Channels) - DW + Intensity (3 Channels) - DW 16-Bit Mode (4 Channels)		- Master/Satellite - Stand-Alone Fixed CCT

PHOTOMETRIC	LED	Dynamic White (2700K to 6500K)		
	NUMBER OF LEDS	20 High Power LEDS		
	DELIVERED LUMEN OUTPUT	up to 3387 lumens		
	EFFICACY	up to 64 lumens per watt		
	LUMEN MAINTENANCE	L70 > 100,000 Hours at 77°F*		
	LIGHT CONTROL ACCESSORIES	Snoot, Visor Available		

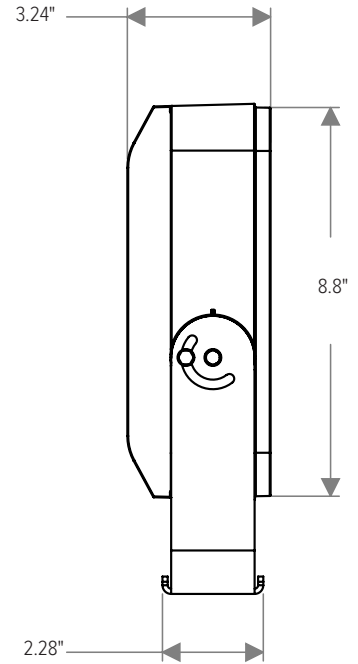
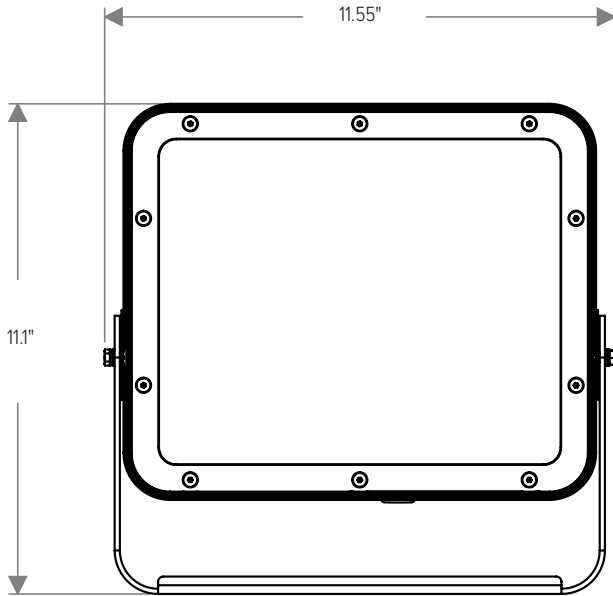
LIGHT DISTRIBUTIONS	DISTRIBUTION	BEAM ANGLE	LUMENS	EFFICACY	MAX. CANDELA
	Ultra-Spot	3.2°	3387	64	221,337

CERTIFICATIONS	SAFETY	ETL Certified for Wet Locations			
	INGRESS PROTECTION	IP67			
	IMPACT RATING	IK09			
	WARRANTY	Five Year Limited Warranty			

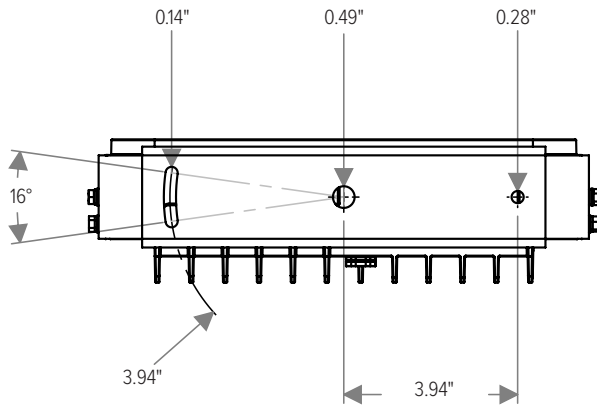
* LED life may vary under actual field conditions due to external factors. Lifetime estimates are generated from actual testing in a controlled environment. Values are conservatively derived from those numbers.

DIMENSIONS

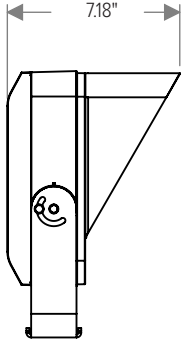
All dimensions are shown in inches unless otherwise noted.



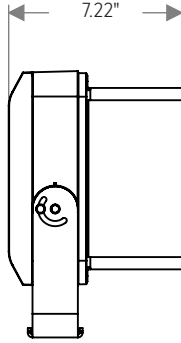
MOUNTING



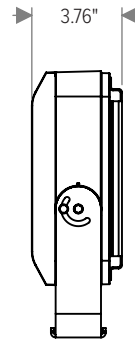
ACCESSORY DIMENSIONS



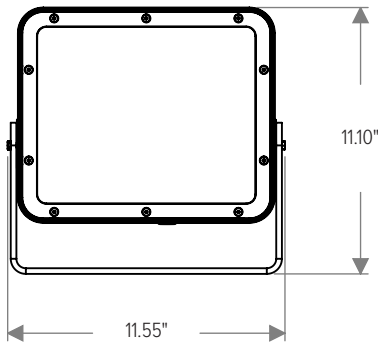
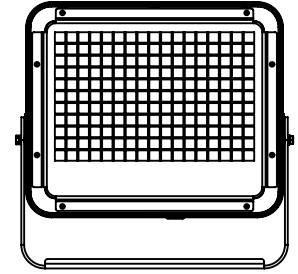
With Visor (CP100-VISOR-XX)



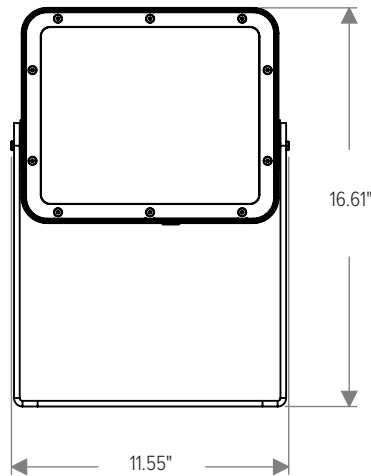
With Snoot (CP100-SNOOT-XX)



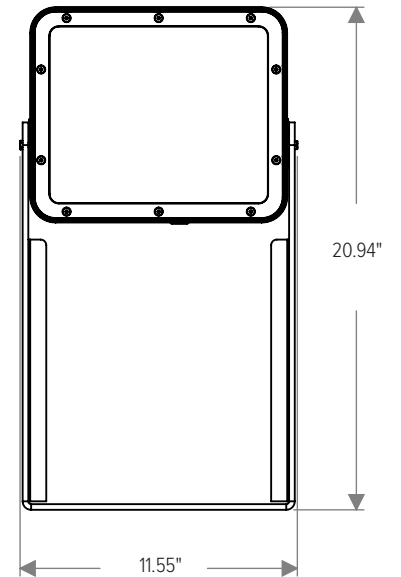
With Wire Guard (CP100-WIREGUARD-XX)



With 3G Mounting Yoke
(Ordered with Luminaire)



With 11.8" Extended Mounting Yoke
(CP100-EXTYOKE300-XX)



With 16.1" Extended Mounting Yoke
(CP100-EXTYOKE410-XX)

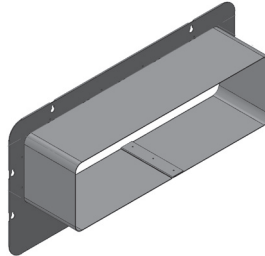
ACCESSORIES

NOTE: Accessories are ordered and shipped separately from luminaire for field installation.

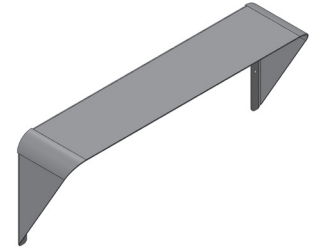
-XX* indicates a painted accessory. See bottom of page for painted accessory ordering information.



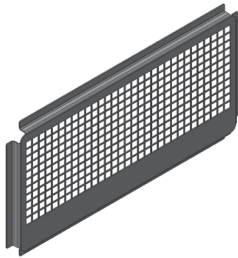
IR-CONFIG-REMOTE
Infrared Configuration Remote



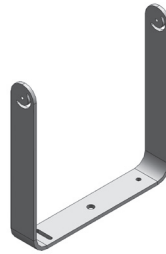
CP100-SNOOT-XX*
Snoot



CP100-VISOR-XX*
Visor



CP100-WIREGUARD-XX*
Wire Guard



CP100-EXTYOKE300-XX*
11.8" (300mm) Extended Mounting Yoke



CP100-EXTYOKE410-XX*
16.1" (410mm) Extended Mounting Yoke

ORDERING INFORMATION

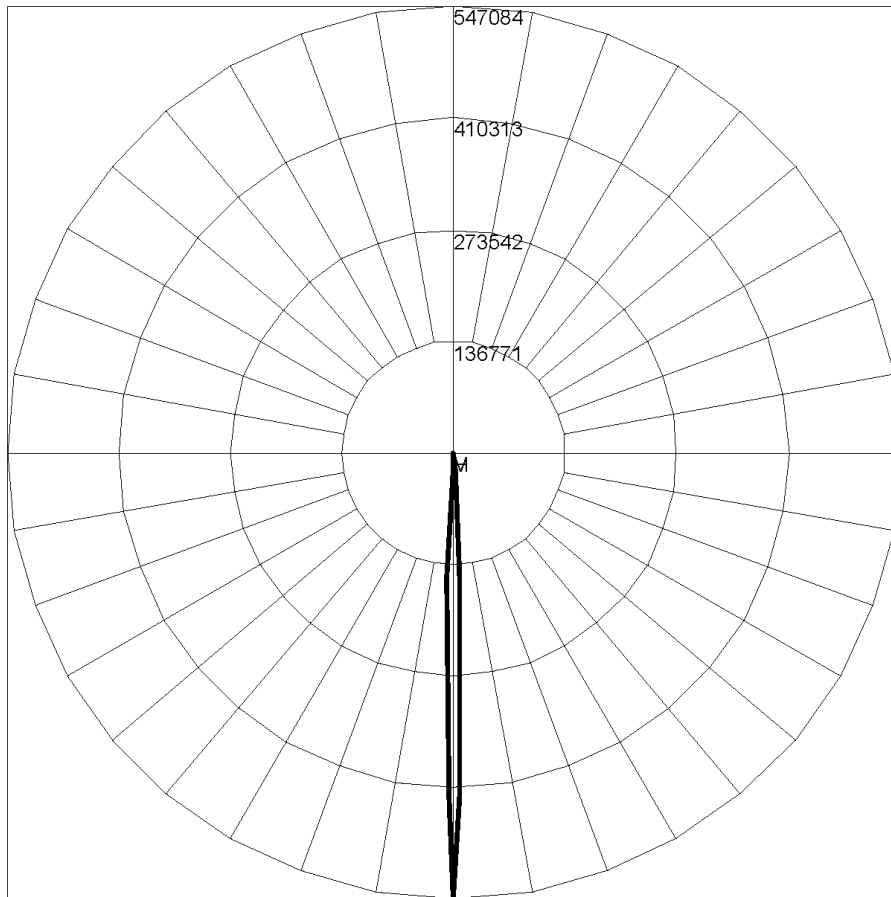
PAINTED ACCESSORIES

MODEL		FINISH (*-XX)		OPTION	
CP100-EXTYOKE300	11.8" (300mm) Extended Mounting Yoke	AG	Anthracite Grey	AST	Anti-Saline Treatment
CP100-EXTYOKE410	16.1" (410mm) Extended Mounting Yoke	BL	Black		
CP100-SNOOT	Snoot	SG	Griven Silver Grey		
CP100-VISOR	Visor	WH	White		
CP100-WIREGUARD	Wire Guard	CC	Custom RAL Color		

PHOTOMETRICS - DYNAMIC WHITE CANDELA DISTRIBUTION  HORIZONTAL
 VERTICAL

ULTRA SPOT 3.2°

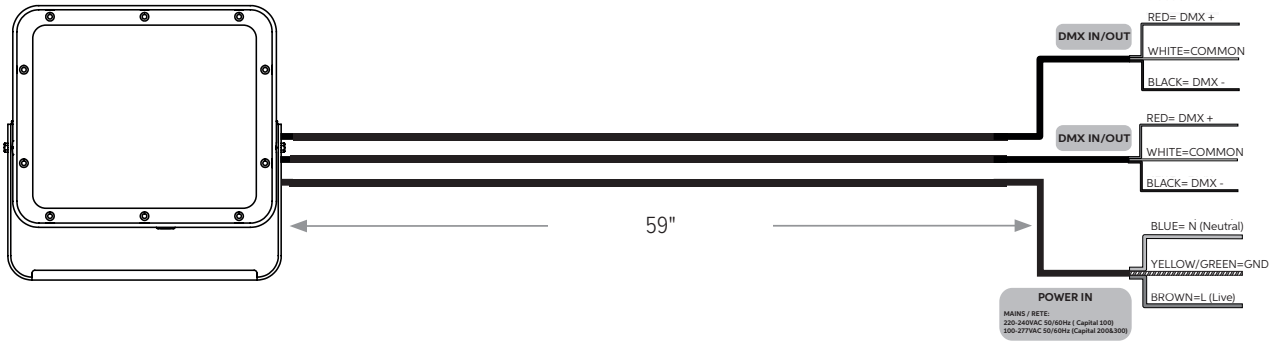
Maximum Candela = 547084 / 3387 Lumens



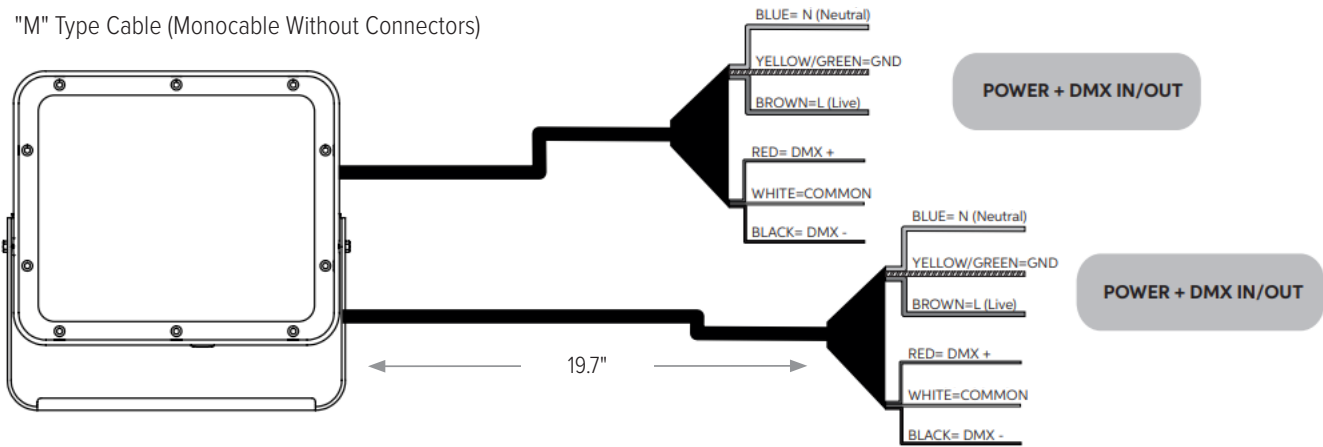
Maximum Candela = 547084.2 Located At Horizontal Angle = 0, Vertical Angle = 0
H - Horizontal Axial Candela
V - Vertical Axial Candela

CONNECTIONS

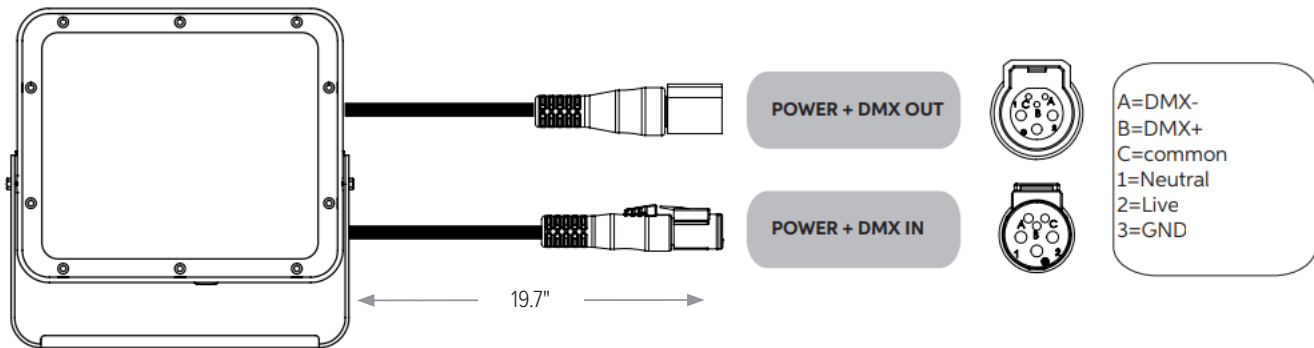
"S" Type Cable (Power In, DMX In, DMX Out)



"M" Type Cable (Monocable Without Connectors)

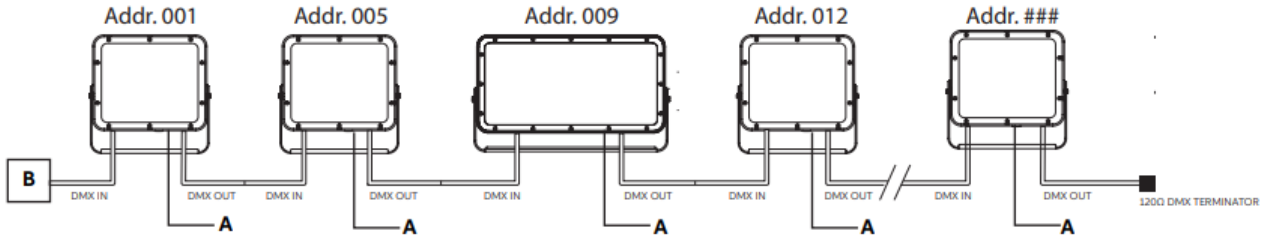


"C" Type Cable (Monocable With Connectors)



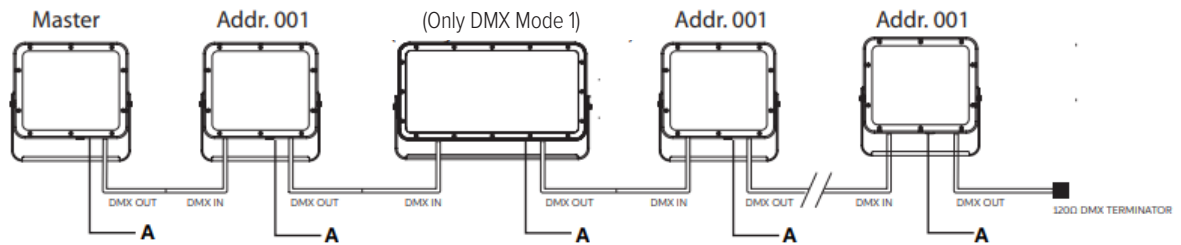
OPERATING MODES

DMX Mode



Example with fixtures set to 4 DMX channels
Esempio con apparecchi impostati su 4 canali DMX

Master-Satellite/Automatic/Fixed Color Mode



WARNING ! in this mode, no DMX control device must be present along the line.

CUSTOMIZE YOUR EXPERIENCE.

At Experience Brands, we believe every space deserves unique lighting elements. We proudly specialize in crafting solutions that reflect your personal vision. Our expert team is here to collaborate with you to design and implement customized features that elevate your environment.

Ready to Get Started? Email us at: DesignServices@exp-brands.com