

DESCRIPTION

CAPITAL 100 US accentuates the designer’s palette with an ultra-narrow 4° beam using 20 high-power LEDs fitted with precision optics. Grazing of vertical columnar features or illumination of objects at distance both benefit from the high-performance of this luminaire.



Date: _____ Type: _____ Catalog Number: _____

Project Name: _____

ORDERING INFORMATION

LUMINAIRE							
MODEL	CCT	CONTROL	CABLE	VOLTAGE	OPTIC *	FINISH §	OPTION
CP100US Capital 100 US	27K 2700K	DMX-RDM DMX/RDM	S Power in (7.9 in.), DMX in, DMX out (5.9 in.)	UNV 120 - 277V	US Ultra Spot 3.2°	AG Anthracite Grey	AST Anti-Saline Treatment
CP100USPE Capital 100 US Polar Edition	30K 3000K		M Monocable without connectors (19.7 in.)			BL Black	3G 3G Mounting Yoke
	40K 4000K		C Monocable with connectors (19.7 in.)			SG Griven Silver Grey	
						WH White	
						CC Custom RAL Color	

		CAPITAL 100 US
PHYSICAL	HOUSING	Die-cast Aluminum
	HOUSING DIMENSIONS	11½" W x 9" H x ø3¼"
	OVERALL DIMENSIONS	11½" W x 11½" H x ø3¼"
	WEIGHT	11.2 lbs
	EPA	0.79 ft²
	OPERATING TEMPERATURE	-40°C to 50°C (-40°F to 122°F)

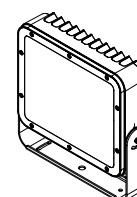
ELECTRICAL	POWER CONSUMPTION	51 watts max
	AMPERAGE	0.4 A @ 120VAC 0.2 A @ 277VAC
	CONTROL	DMX-RDM. Includes onboard standalone sequencing or master-satellite operation without DMX control systems when programmed with infra-red configuration remote (Ordering code AL1321)
	MODES	- Intensity (1 channel) - Stand-Alone Dimmer

PHOTOMETRIC	LED	Static White (2700K, 3000K or 4000K)
	# LEDES	20 high power LEDs
	DELIVERED LUMEN OUTPUT	3915 lumens
	EFFICACY	Up to 76 lumens per watt
	L70 LUMEN MAINTENANCE	100,000 Hours @ 25°C
	# DISTRIBUTIONS	One
	LIGHT CONTROL ACCESSORIES	Visor, Snoot, Spreading Diffusers (Contact Factory)

Values based on full output

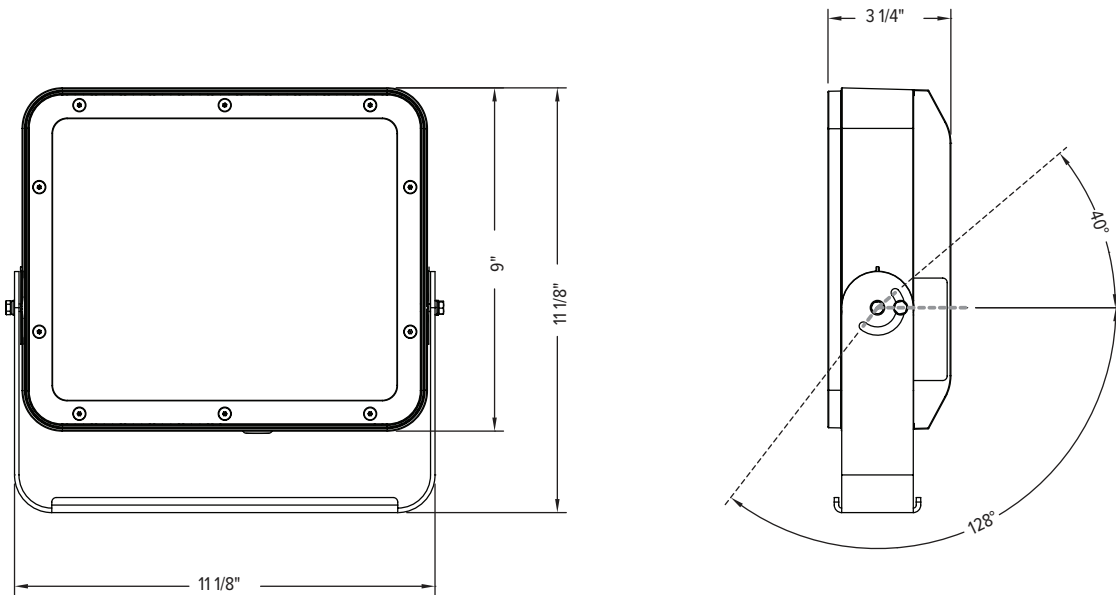
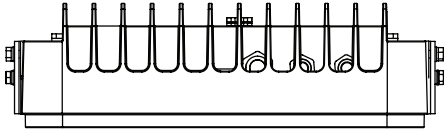
LIGHT DISTRIBUTIONS	DISTRIBUTION	BEAM ANGLE	LUMENS	MAX CANDELA
	ULTRA SPOT	4°	3915	532,589

CERTIFICATIONS	SAFETY	ETL Listed for Wet Locations
	INGRESS PROTECTION	IP67
	IMPACT RATING	IK09
	EUROPEAN	RoHS

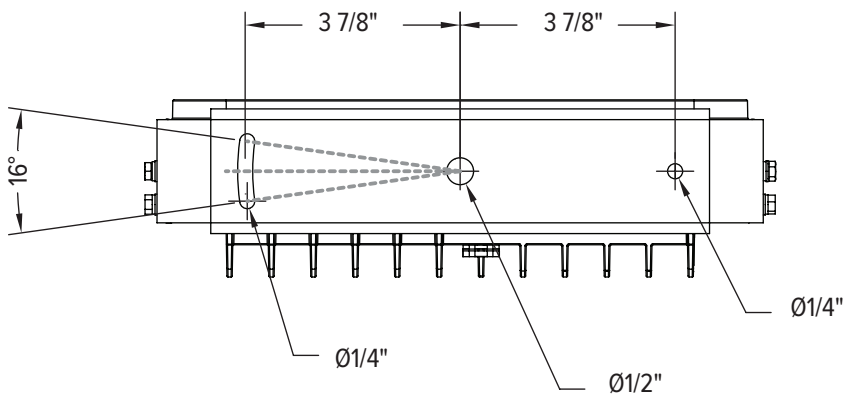


DIMENSIONS

All dimensions are shown in inches unless otherwise noted.



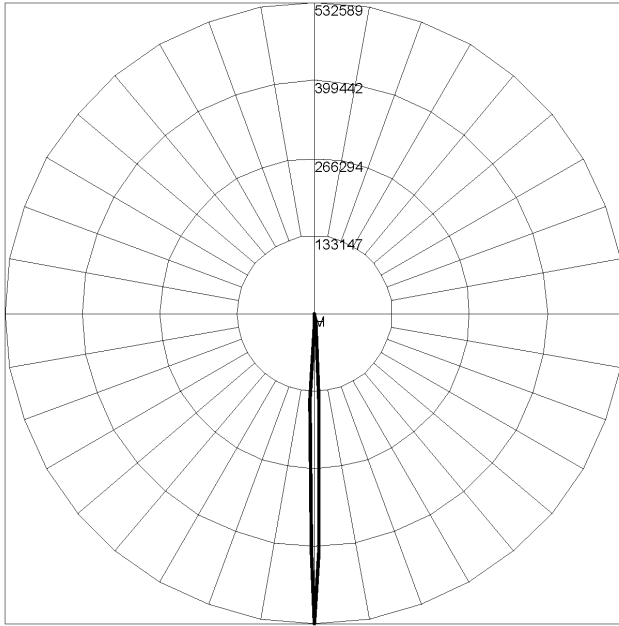
MOUNTING



PHOTOMETRICS - STATIC WHITE CANDELA DISTRIBUTION 

ULTRA SPOT 4° - Warm White 3000K

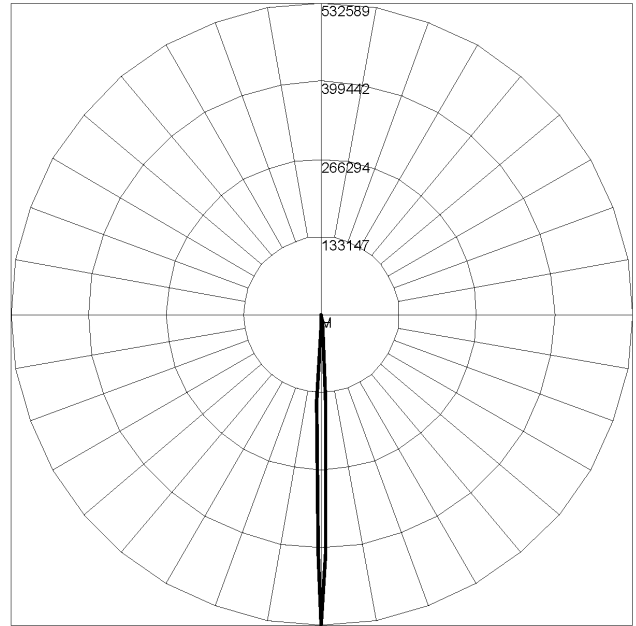
Maximum Candela = 532589 / 3915 lms



Maximum Candela = 532588.91 Located At Horizontal Angle = 0, Vertical Angle = 0
H - Horizontal Axial Candela
V - Vertical Axial Candela

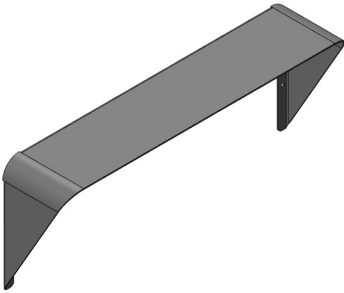
ULTRA SPOT 4° - Neutral White 4000K

Maximum Candela = 532589 / 3915 lms

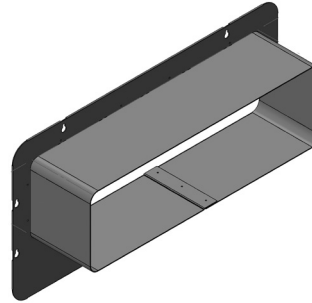


Maximum Candela = 532588.91 Located At Horizontal Angle = 0, Vertical Angle = 0
H - Horizontal Axial Candela
V - Vertical Axial Candela

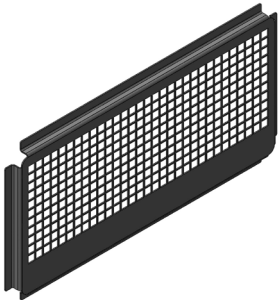
ACCESSORIES



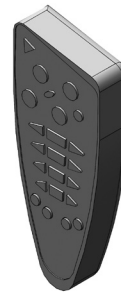
AL8232-XX*
Visor



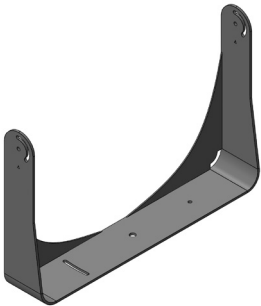
AL8233-XX*
Snoot



AL8234-XX*
Wire Guard



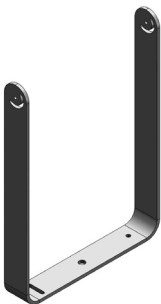
AL1321
Infrared Configuration Remote



AL8258-XX*
3G Mounting Yoke



AL8227-XX*
300mm Yoke



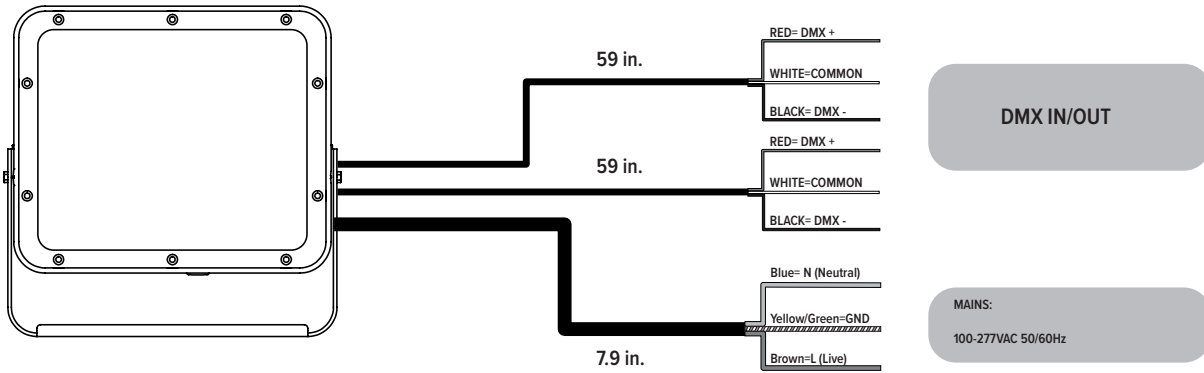
AL8228-XX*
410 mm Yoke

XX*- ACCESSORY FINISHES

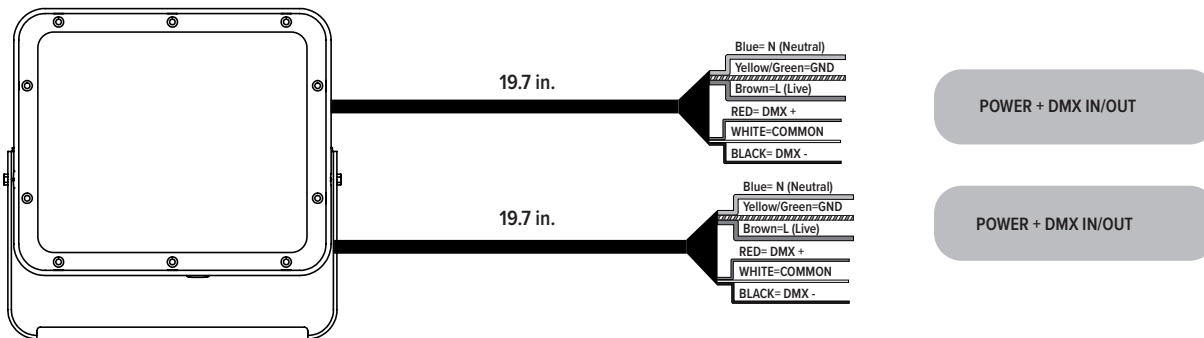
AG	Anthracite Grey
BL	Black
SG	Griven Silver Grey
WH	White
CC	Custom Color

Connection

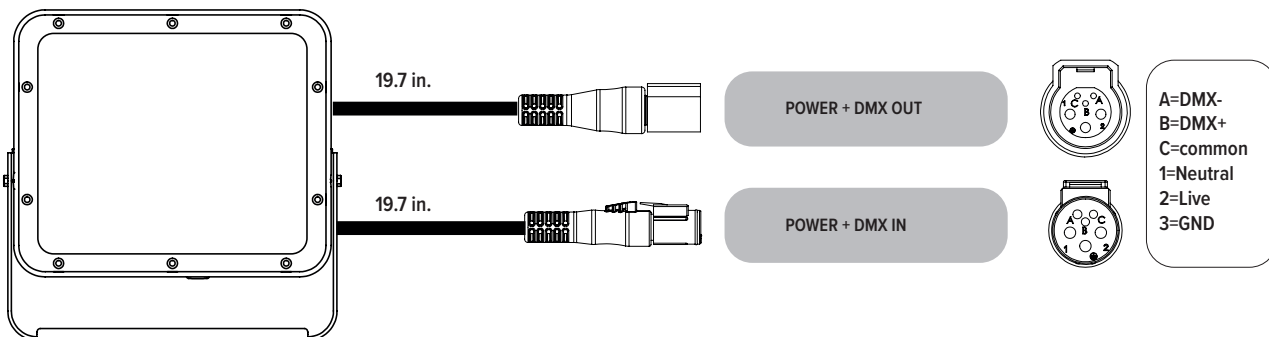
“S” type cable (Power in, DMX In, DMX Out)



“M” type cable (Monocable without connectors)



“C” type cable (Monocable + connectors)

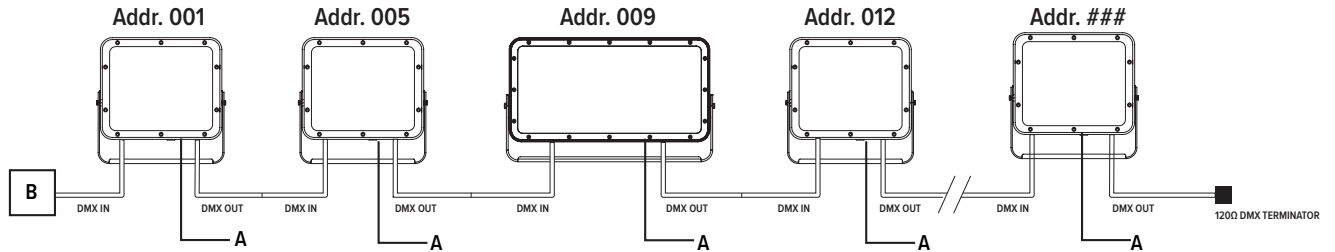


Note: the power and signal connections of S and M cable types can be carried out by using the connection kit included in the packing box. Follow the instructions provided along with the connection kit.

"X" type cable- Contact Factory

Operating modes

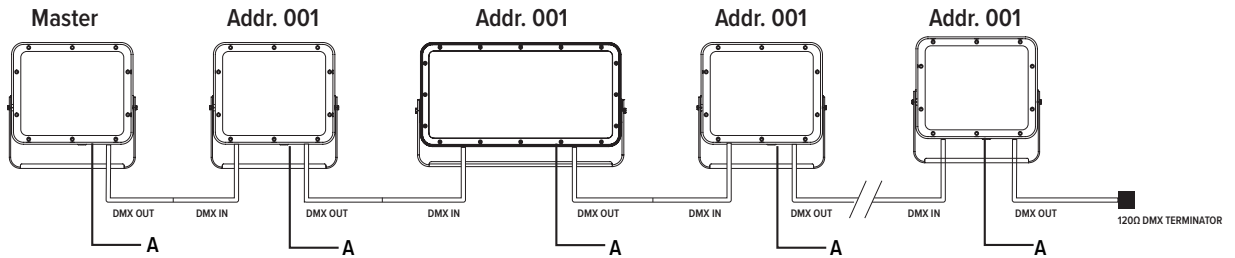
DMX Mode



Example with fixtures set to 4 DMX channels

Master-Slave / Automatic

(Only DMX Mode #1)



WARNING ! in this mode, no DMX control device must be present along the line.