

CAPITAL 100 MC

Dynamic White



DESCRIPTION

CAPITAL 100MC delivers superior color-mixing through quad-chip LEDs and precision lens technology within a strikingly compact body. Tailored to meet the needs of demanding architectural lighting specifications, this flexible and highly versatile floodlight is suitable for a variety of installations where a reduced mounting footprint is desired.



Date: _____ Type: _____ Catalog Number: _____

Project Name: _____

ORDERING INFORMATION

LUMINAIRE							
MODEL	CCT	CONTROL	CABLE	VOLTAGE	OPTIC *	FINISH	OPTION
CP100MC Capital 100 MC	DW Dynamic White (3000K to 6500K)	DMX-RDM DMX/RDM	S Power in (7.9 in.), DMX in, DMX out (59 in.)	UNV 120 - 277V	SP Spot 7°	AG Anthracite Grey	AST Anti-Saline Treatment
CP100MCPE Capital 100 MC Polar Edition			M Monocable without connectors (19.7 in.)		NB Narrow 10°	BL Black	3G 3G Mounting Yoke
			C Monocable with connectors (19.7 in.)		MB Medium 23°	SG Griven Silver Grey	
					WB Wide 35°	WH White	
						CC Custom RAL Color	

* Consult factory for availability of other optical options.

See Page 5 for ordering information of available accessories.

		CAPITAL 100 MC
PHYSICAL	HOUSING	Die-Cast Aluminum
	OVERALL DIMENSIONS	11.1" L x 3.2" W x 11.1" H
	WEIGHT	11.2 Pounds
	OPERATING TEMPERATURE	-40°F to 122°F (-40°C to 50°C)

ELECTRICAL	POWER	70 Watts		
	CURRENT	0.58 amps at 120 volts 0.26 amps at 277 volts		
	CONTROL	DMX-RDM, Standalone Onboard Sequencing, or Master-Satellite Operation		
	CABLE	S Cable	M Cable	C Cable
		Power In, DMX In, DMX Out Cables	6-Polarity In and Out Power/Data Monocable Without Connectors	6-Polarity In and Out Power/Data Monocable With Connectors
	CABLE LENGTH	59"	19.7"	19.7"
MODES	- DW (2 Channels) - DW + Intensity (3 Channels) - DW 16-Bit Mode (4 Channels)		- Master/Satellite - Stand-Alone Fixed CCT	

PHOTOMETRIC	LED	Dynamic White (3000K to 6500K)		
	NUMBER OF LEDS	8 Quad-Chip LEDs		
	DRIVER LOCATION	Integral		
	DELIVERED LUMEN OUTPUT	up to 5440 lumens		
	EFFICACY	up to 78 lumens per watt		
	LUMEN MAINTENANCE	L70 > 100,000 Hours at 77°F*		
	LIGHT CONTROL ACCESSORIES	Snoot, Visor Available		

LIGHT DISTRIBUTIONS	DISTRIBUTION	BEAM ANGLE	LUMENS	EFFICACY	MAX. CANDELA
	Spot	7°	5440	78	221,337
	Narrow	10°	5296	76	119,324
	Medium	23°	5061	72	27,370
	Wide	35°	4908	70	13,009

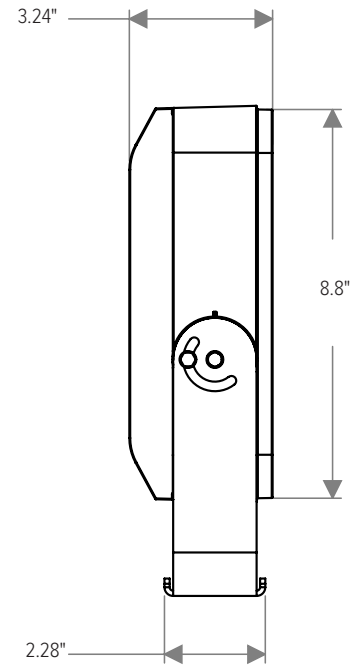
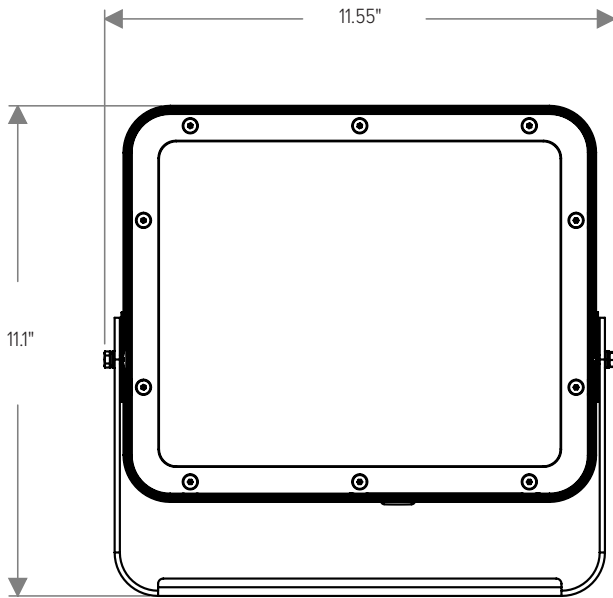
Values based on full output.

CERTIFICATIONS	SAFETY	ETL Certified for Wet Locations			
	INGRESS PROTECTION	IP67			
	IMPACT RATING	IK09			
	WARRANTY	Five Year Limited Warranty			

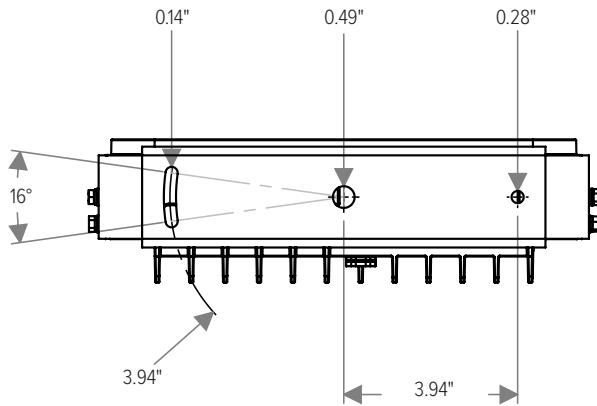
* LED life may vary under actual field conditions due to external factors. Lifetime estimates are generated from actual testing in a controlled environment. Values are conservatively derived from those numbers.

DIMENSIONS

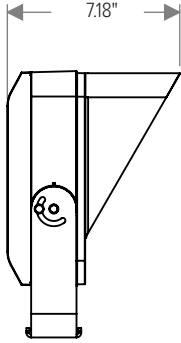
All dimensions are shown in inches unless otherwise noted.



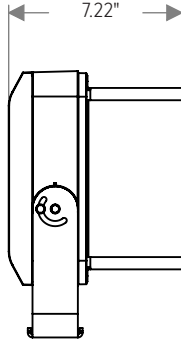
MOUNTING



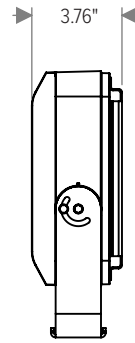
ACCESSORY DIMENSIONS



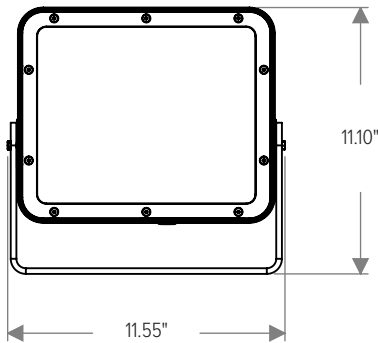
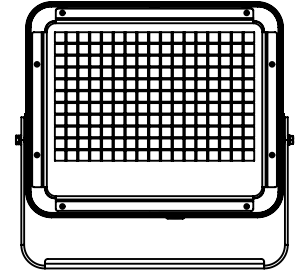
With Visor (CP100-VISOR-XX)



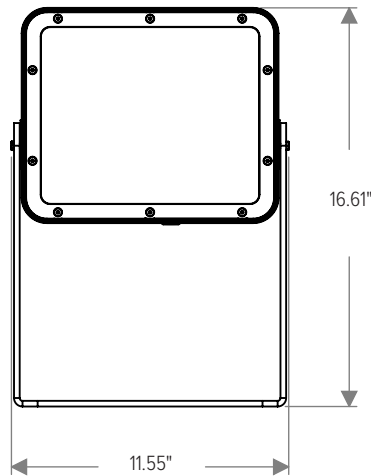
With Snoot (CP100-SNOOT-XX)



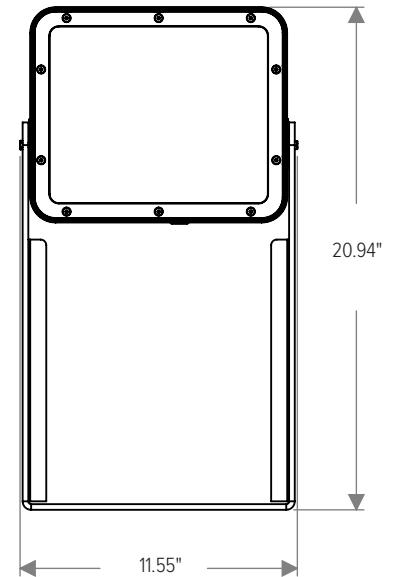
With Wire Guard (CP100-WIREGUARD-XX)



With 3G Mounting Yoke
(Ordered with Luminaire)



With 11.8" Extended Mounting Yoke
(CP100-EXTYOKE300-XX)



With 16.1" Extended Mounting Yoke
(CP100-EXTYOKE410-XX)

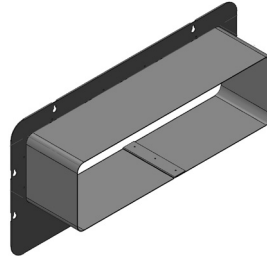
ACCESSORIES

NOTE: Accessories are ordered and shipped separately from luminaire for field installation.

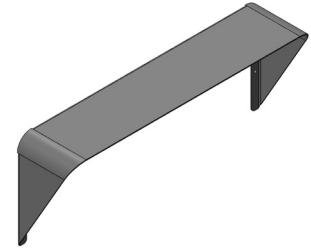
-XX* indicates a painted accessory. See bottom of page for painted accessory ordering information.



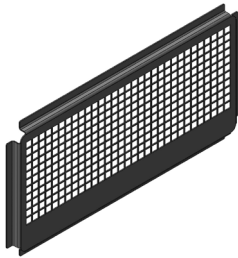
IR-CONFIG-REMOTE
Infrared Configuration Remote



CP100-SNOOT-XX*
Snoot



CP100-VISOR-XX*
Visor



CP100-WIREGUARD-XX*
Wire Guard



CP100-EXTYOKE300-XX*
11.8" (300mm) Extended Mounting Yoke



CP100-EXTYOKE410-XX*
16.1" (410mm) Extended Mounting Yoke

ORDERING INFORMATION

PAINTED ACCESSORIES

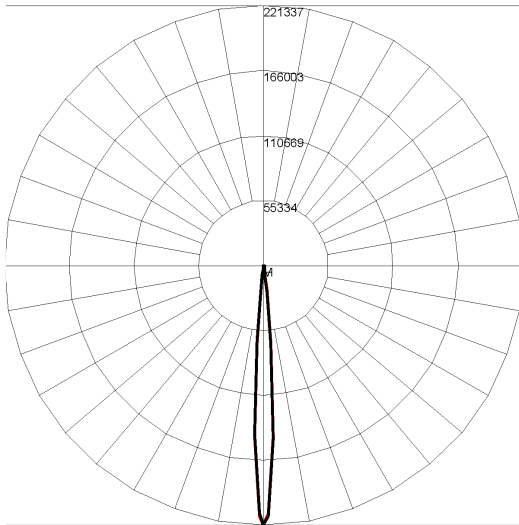
MODEL		FINISH (*-XX)		OPTION	
CP100-EXTYOKE300	11.8" (300mm) Extended Mounting Yoke	AG	Anthracite Grey	AST	Anti-Saline Treatment
CP100-EXTYOKE410	16.1" (410mm) Extended Mounting Yoke	BL	Black		
CP100-SNOOT	Snoot	SG	Griven Silver Grey		
CP100-VISOR	Visor	WH	White		
CP100-WIREGUARD	Wire Guard	CC	Custom RAL Color		

PHOTOMETRICS - RGBW CANDELA DISTRIBUTION

— HORIZONTAL
— VERTICAL

SPOT 7°

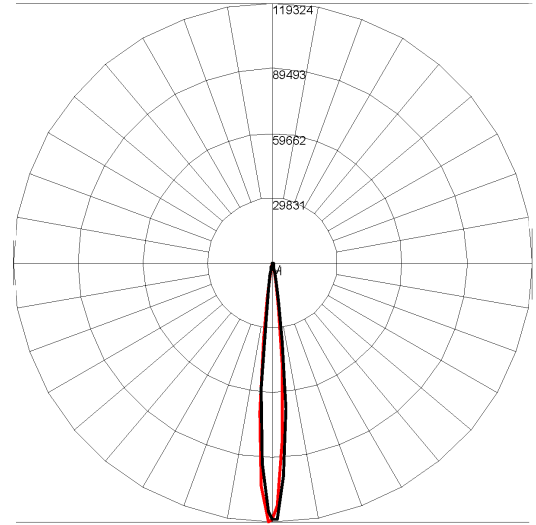
Maximum Candela = 221337 / 5440 Lumens



Maximum Candela = 221337.281 Located At Horizontal Angle = 0, Vertical Angle = 0
H - Horizontal Axial Candela
V - Vertical Axial Candela

NARROW 10°

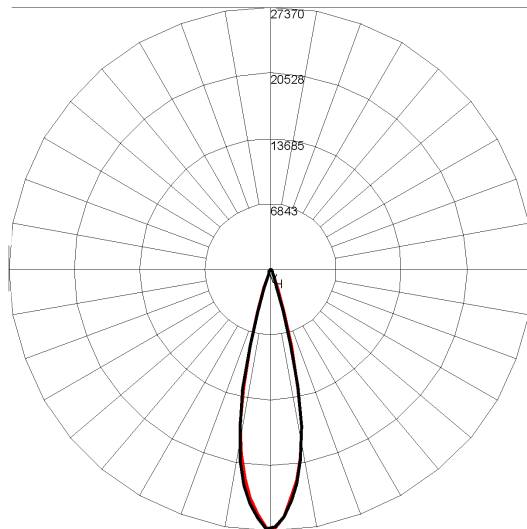
Maximum Candela = 119324 / 5296 Lumens



Maximum Candela = 119324.18 Located At Horizontal Angle = -1, Vertical Angle = 0
H - Horizontal Axial Candela
V - Vertical Axial Candela

MEDIUM 23°

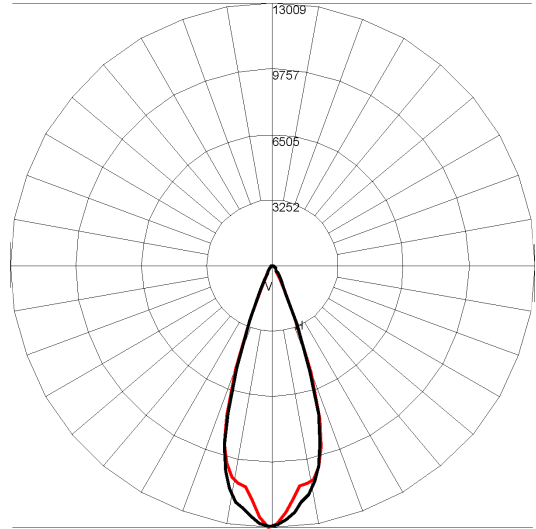
Maximum Candela = 27370 / 5061 Lumens



Maximum Candela = 27370.359 Located At Horizontal Angle = -1, Vertical Angle = -1
H - Horizontal Axial Candela
V - Vertical Axial Candela

WIDE 35°

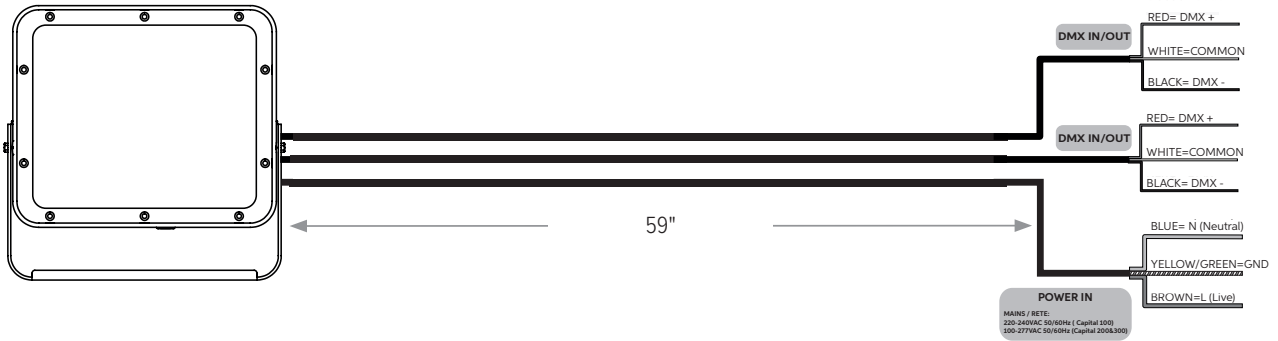
Maximum Candela = 13009 / 4908 Lumens



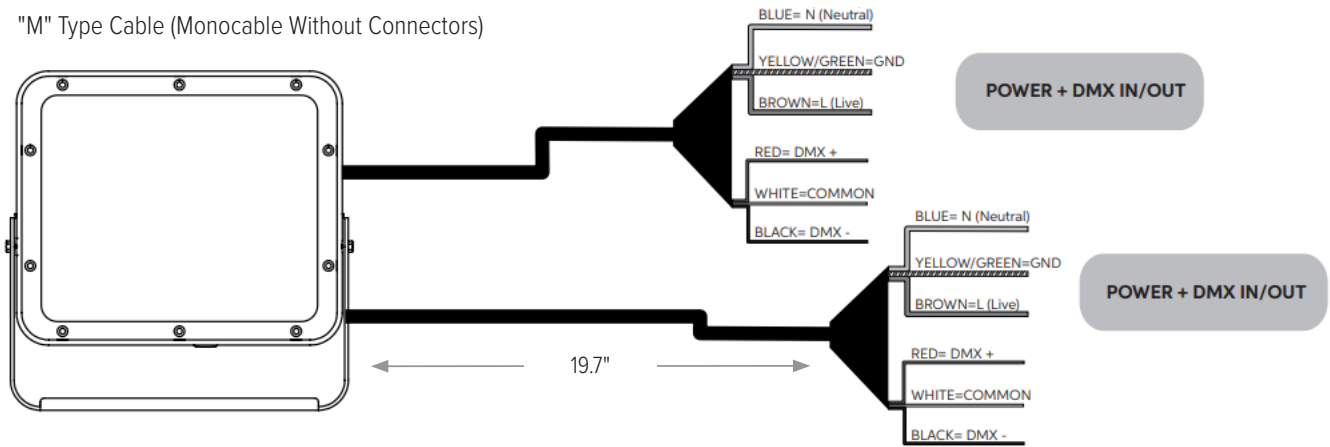
Maximum Candela = 13009.08 Located At Horizontal Angle = -1, Vertical Angle = -1
H - Horizontal Axial Candela
V - Vertical Axial Candela

CONNECTIONS

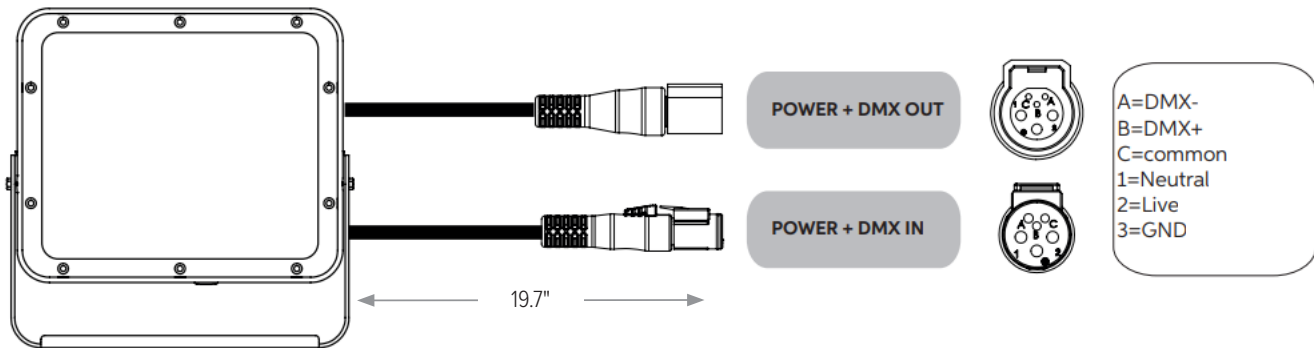
"S" Type Cable (Power In, DMX In, DMX Out)



"M" Type Cable (Monocable Without Connectors)

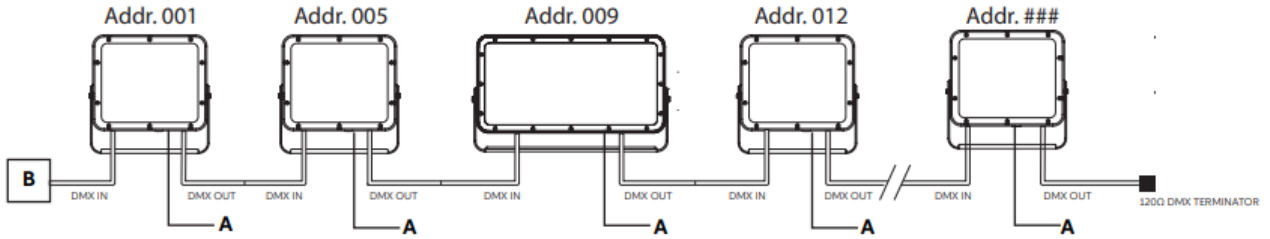


"C" Type Cable (Monocable With Connectors)



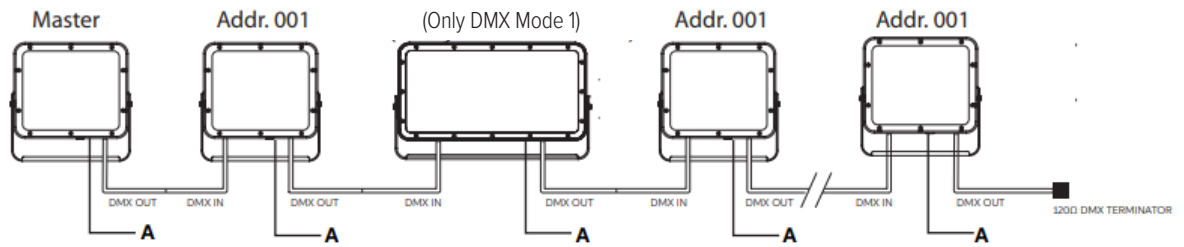
OPERATING MODES

DMX Mode



Example with fixtures set to 4 DMX channels
Esempio con apparecchi impostati su 4 canali DMX

Master-Satellite/Automatic/Fixed Color Mode



WARNING ! in this mode, no DMX control device must be present along the line.