

CAPITAL 200 B

Static White



DESCRIPTION

CAPITAL 200 B blends unobtrusively into every architectural background through modern design and an extremely sleek profile. The floodlight delivers high output from a compact body with outstanding performance. Available in eight light distributions, this versatile luminaire delivers balanced projection and photometric flexibility tailored to the selective demands of the most sophisticated architectural needs.



Date: _____ Type: _____ Catalog Number: _____

Project Name: _____

ORDERING INFORMATION

LUMINAIRE							
MODEL	CCT	CONTROL	CABLE	VOLTAGE	OPTIC *	FINISH	OPTION
CP200B Capital 200 B	27K 2700K	ON-OFF ON/OFF* <i>*Select Cable Type P</i>	P 59" Cable Type P: Power in	UNV 120 - 277V	SP Spot 13°	AG Anthracite Grey	AST Anti-Saline Treatment
	30K 3000K	DIM 0-10v Dimming* <i>*Select Cable Type M</i>	M 19.7" Cable Type M: Monocable for 0-10v/DALI (Without Connectors)		NB Narrow 16°	BL Black	3G 3G Mounting Yoke
	40K 4000K	DALI DALI* <i>*Select Cable Type M</i>			MB Medium 25°	SG Griven Silver Grey	LVR Internal Honeycomb Louver
					WB Wide 46°	WH White	
					EW Extra Wide 64°	CC Custom RAL Color	
					ELH Elliptical Horizontal 40° H x 14° V		
					ELWH Elliptical Wide Horizontal 38° H x 23° V		
					WW Wall Wash 36° H x 19° V		

*Contact factory for other optical options.

See Page 5 for ordering information of available accessories.

		CAPITAL 200 B
PHYSICAL	HOUSING	Die-Cast Aluminum
	OVERALL DIMENSIONS	18.7" L x 3.5" W x 10.8" H
	WEIGHT	21 Pounds
	OPERATING TEMPERATURE	-40°C to 50°C (-40°F to 122°F)

ELECTRICAL	POWER	148 Watts	
	CURRENT	1.23 amps at 120 volts 0.53 amps at 277 volts	
	CONTROL	On-Off, 0-10v Dimming, DALI	
	CABLE	P Cable	M Cable
		Power In (for On-Off)	Monocable Without Connectors (for DALI or 0-10v Dimming)
CABLE LENGTH	59"	19.7"	

PHOTOMETRIC	LED	Static White (2700K, 3000K, or 4000K)	
	NUMBER OF LEDS	48	
	DRIVER LOCATION	Integral	
	DELIVERED LUMEN OUTPUT	up to 16370 lumens	
	EFFICACY	up to 111 lumens per watt	
	LUMEN MAINTENANCE	L90 > 60,000 Hours at 77°F*	
	LIGHT CONTROL ACCESSORIES	Snoot, Visor, Internal Honeycomb Louver Available	

LIGHT DISTRIBUTIONS	DISTRIBUTION	BEAM ANGLE	2700K & 3000K			4000K		
			LUMENS	EFFICACY	MAX. CANDELA	LUMENS	EFFICACY	MAX. CANDELA
Values based on full output.	SPOT	13°	15201	103	231101	16370	111	248873
	NARROW	16°	13946	94	129140	15019	101	139076
	MEDIUM	25°	13678	92	66073	14740	100	71203
	WIDE	46°	13201	89	20166	14216	96	21716
	EXTRA WIDE	64°	10911	74	9664	11750	79	10407
	ELLIPTICAL	40° x 14°	12662	86	60599	13636	92	65261
	ELLIPTICAL WIDE	38° x 23°	12658	86	37965	13631	92	40884
	WALL WASH	36° x 19° (5° Incline)	12096	82	41572	13027	88	44771

CERTIFICATIONS	SAFETY	ETL Certified for Wet Locations	
	INGRESS PROTECTION	IP67	
	IMPACT RATING	IK09	
	WARRANTY	Limited Five Year Warranty	

* LED life may vary under actual field conditions due to external factors. Lifetime estimates are generated from actual testing in a controlled environment. Values are conservatively derived from those numbers.

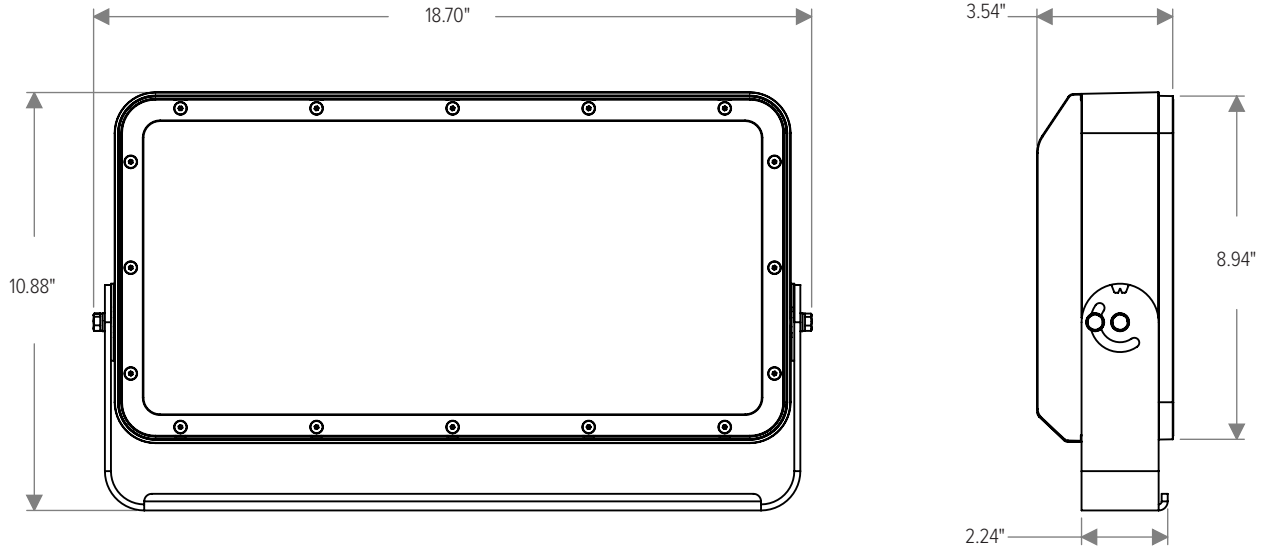
CAPITAL 200 B

Static White

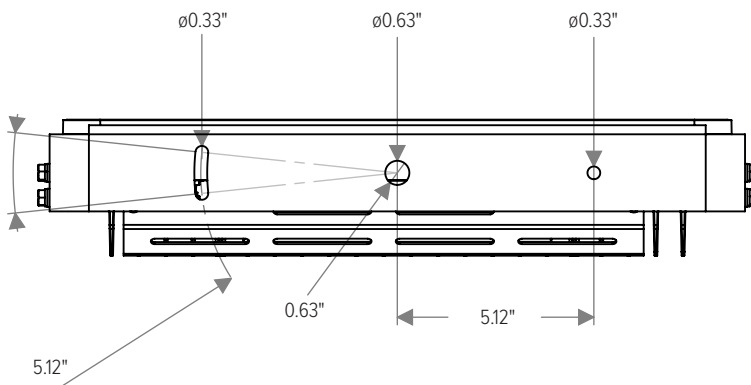


DIMENSIONS

All dimensions are shown in inches unless otherwise noted.



MOUNTING

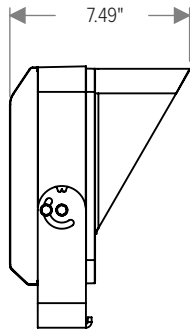


CAPITAL 200 B

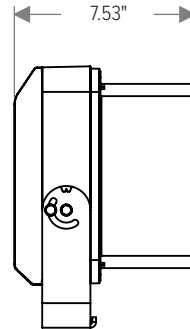
Static White



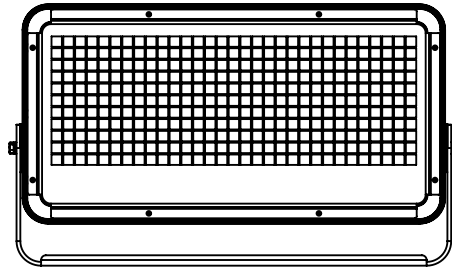
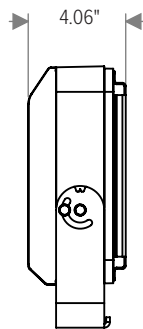
ACCESSORY DIMENSIONS



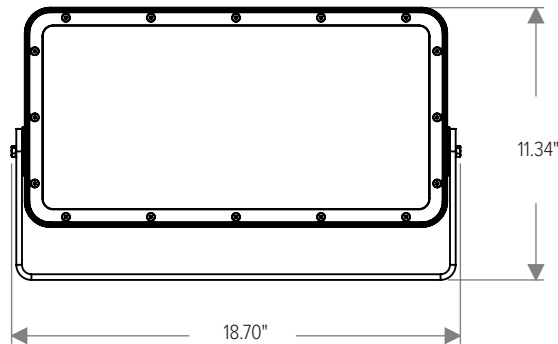
With Visor (CP200-VISOR-XX)



With Snoot (CP200-SNOOT-XX)



With Wire Guard (CP200-WIREGUARD-XX)



With 3G Mounting Yoke (Ordered with Luminaire)

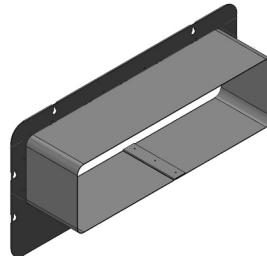
ACCESSORIES

NOTE: Accessories are ordered and shipped separately from luminaire for field installation.

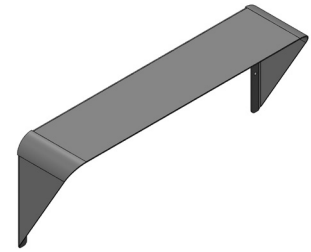
-XX* indicates a painted accessory. See bottom of page for painted accessory ordering information.



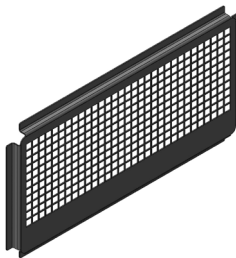
IR-CONFIG-REMOTE
Infrared Configuration Remote



CP200-SNOOT-XX*
Snoot



CP200-VISOR-XX*
Visor



CP200-WIREGUARD-XX*
Wire Guard

ORDERING INFORMATION

PAINTED ACCESSORIES

MODEL		FINISH (*-XX)		OPTION	
CP200-SNOOT	Snoot	AG	Anthracite Grey	AST	Anti-Saline Treatment
CP200-VISOR	Visor	BL	Black		
CP200-WIREGUARD	Wire Guard	SG	Griven Silver Grey		
		WH	White		
		CC	Custom RAL Color		

CAPITAL 200 B

Static White



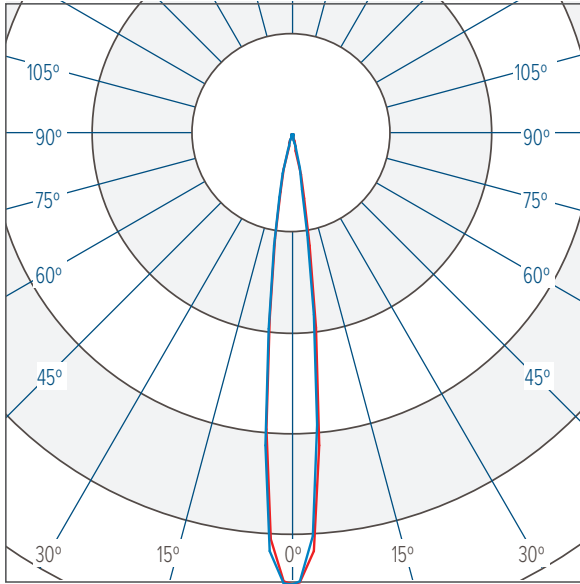
PHOTOMETRICS

NOTE: VALUES SHOWN ARE FOR CAPITAL 200 B 4000K. APPLY A 0.93 PRORATE FACTOR TO OBTAIN VALUES FOR 2700K OR 3000K CCT.

SPOT 13° 4000K

CBCP 248873 @ 16370 lumens

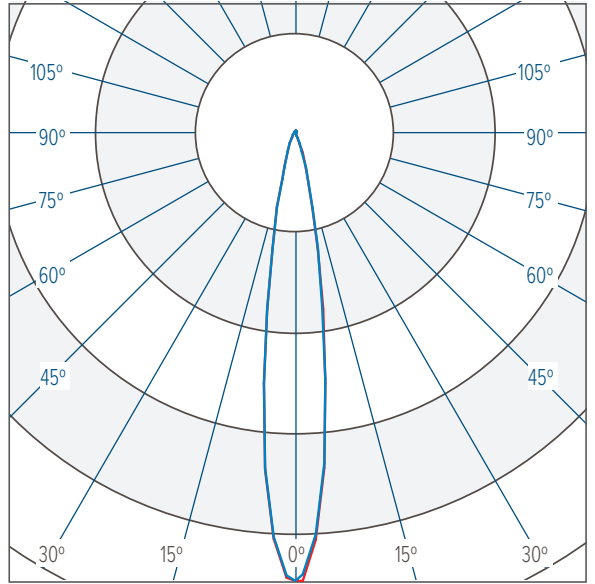
Horizontal
Vertical



NARROW 16° 4000K

CBCP 139076 @ 15019 lumens

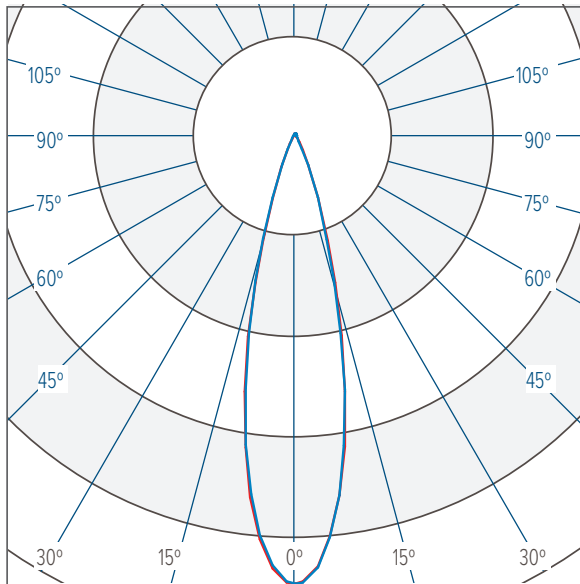
Horizontal
Vertical



MEDIUM 25° 4000K

CBCP 71203 @ 14740 lumens

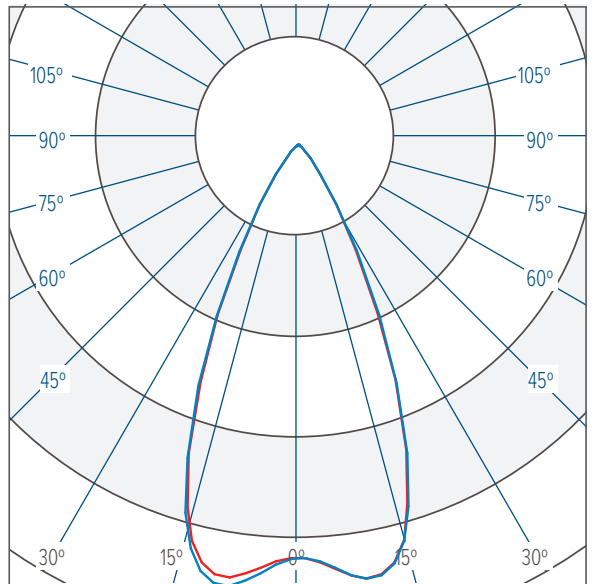
Horizontal
Vertical



WIDE 46° 4000K

CBCP 21716 @ 14216 lumens

Horizontal
Vertical



CAPITAL 200 B

Static White



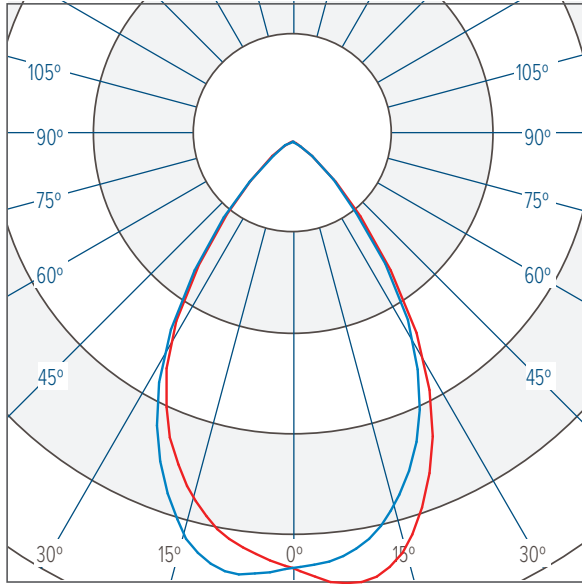
PHOTOMETRICS

NOTE: VALUES SHOWN ARE FOR CAPITAL 200 B 4000K. APPLY A 0.93 PRORATE FACTOR TO OBTAIN VALUES FOR 2700K OR 3000K CCT.

EXTRA WIDE 64° 4000K

CBCP 10407 @ 11750 lumens

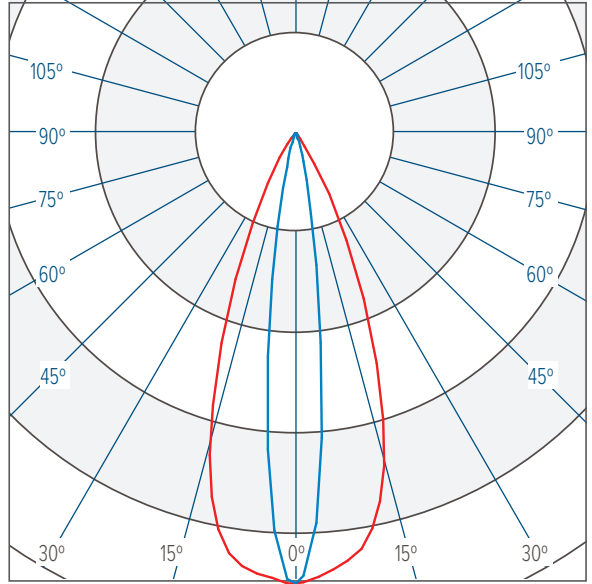
Horizontal
Vertical



ELLIPTICAL 40° x 14° 4000K

CBCP 65261 @ 13636 lumens

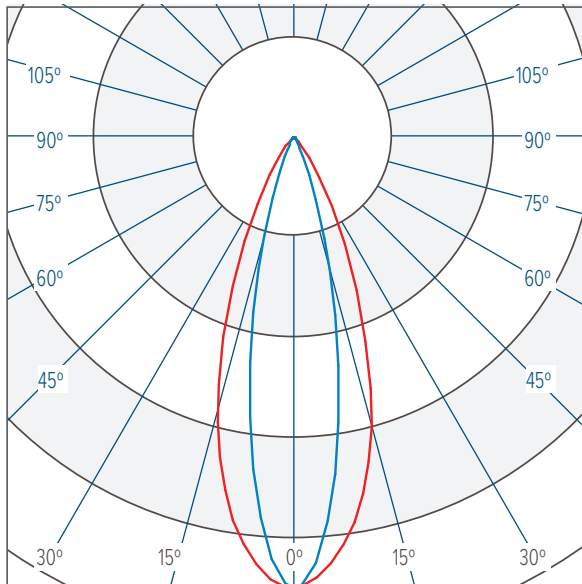
Horizontal
Vertical



ELLIPTICAL WIDE 38° x 23° 4000K

CBCP 40884 @ 13631 lumens

Horizontal
Vertical

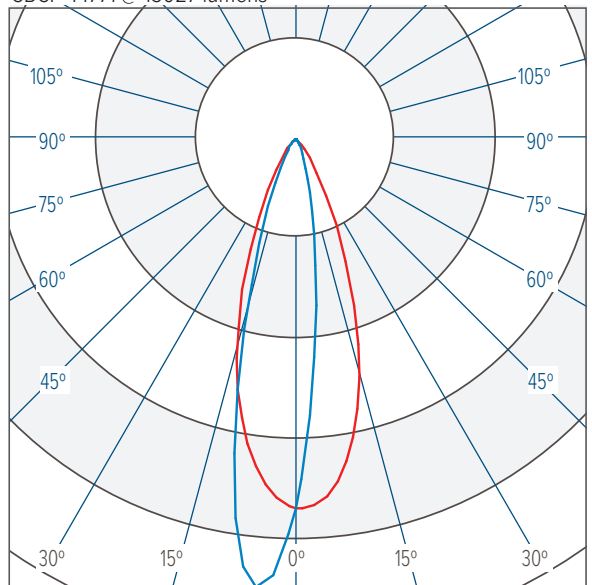


WALL WASH 36° x 19° 4000K

5° INCLINE

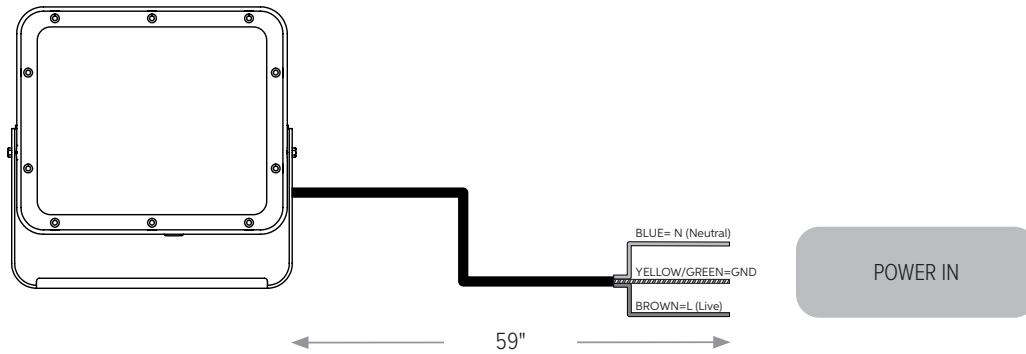
CBCP 44771 @ 13027 lumens

Horizontal
Vertical



CONNECTIONS

"P" Type Cable (On/Off)



"M" Type Cable (DALI or 0-10v Dimming Monocable Without Connectors)

