

DESCRIPTION

CAPITAL 200 blends unobtrusively into every architectural background through modern design and an extremely sleek profile. The floodlight delivers high output from a compact body with outstanding performance. Available in eight light distributions, this versatile luminaire delivers balanced projection and photometric flexibility tailored to the selective demands of the most sophisticated architectural needs.



Date: _____ Type: _____ Catalog Number: _____

Project Name: _____

ORDERING INFORMATION

LUMINAIRE							
MODEL	CCT	CONTROL	CABLE	VOLTAGE	OPTIC *	FINISH	OPTION
CP200 Capital 200 Discrete	27K 2700K	DMX-RDM DMX/RDM	S Power in (7.9"), DMX in, DMX out (5.9")	UNV 120 - 277V	SP Spot 13°	AG Anthracite Grey	AST Anti-Saline Treatment
CP200PE Capital 200 Discrete Polar Edition	30K 3000K		M Monocable without Connectors (19.7")		NB Narrow 16°	BL Black	3G 3G Mounting Yoke
	40K 4000K				MB Medium 2 5°	SG Griven Silver Grey	LVR Internal Honeycomb Louver
		C Monocable with Connectors (19.7")			WB Wide 46°	WH White	
					EW Extra Wide 64°	CC Custom RAL Color	
					ELH Elliptical Horizontal 40° H x 14° V		
					ELWH Elliptical Wide Horizontal 38° H x 23° V		
					WW Wall Wash 36° H x 19° V		

*Consult factory for availability of other optical options.

See Page 5 for ordering information of available accessories.

		CAPITAL 200
PHYSICAL	HOUSING	Die-Cast Aluminum
	OVERALL DIMENSIONS	18.7" L x 3.5" W x 10.9" H
	WEIGHT	21 Pounds
	OPERATING TEMPERATURE	-40°F to 122°F (-40°C to 50°C)

ELECTRICAL	POWER	148 Watts		
	CURRENT	1.23 Amps at 120 Volts 0.53 Amps at 277 Volts		
	CONTROL	DMX-RDM, Standalone Onboard Sequencing, or Master-Satellite Operation		
	CABLE	S Cable	M Cable	C Cable
		Power In, DMX In, DMX Out Cables	6-Polarity In and Out Power/Data Monocable Without Connectors	6-Polarity In and Out Power/Data Monocable With Connectors
CABLE LENGTH	59"	19.7"	19.7"	

PHOTOMETRIC	LED	Static White (2700K, 3000K, or 4000K)		
	NUMBER OF LEDS	64		
	DRIVER LOCATION	Integral		
	DELIVERED LUMEN OUTPUT	up to 15201 lumens		
	EFFICACY	up to 103 lumens per watt		
	LUMEN MAINTENANCE	L70 > 100,000 Hours at 77°F*		
	LIGHT CONTROL ACCESSORIES	Snoot, Visor, Internal Honeycomb Louver Available		

LIGHT DISTRIBUTIONS	DISTRIBUTION	BEAM ANGLE	2700K & 3000K		4000K	
			LUMENS	EFFICACY	LUMENS	EFFICACY
Values based on full output.	Spot	13°	15201	103	13027	88
	Narrow	16°	13946	94	15019	101
	Medium	25°	13678	92	14740	100
	Wide	46°	13201	89	14216	96
	Extra Wide	64°	10910	74	11749	79
	Elliptical Horizontal	40° H x 14° V	12658	86	13636	92
	Elliptical Wide Horizontal	38° H x 23° V	12658	86	13631	92
	Wall Wash	36° H x 19° V with 5° Incline	13957	94	13027	88

CERTIFICATIONS	SAFETY	ETL Certified for Damp Locations
	INGRESS PROTECTION	IP67
	IMPACT RATING	IK09
	WARRANTY	Limited Five Year Warranty

* LED life may vary under actual field conditions due to external factors. Lifetime estimates are generated from actual testing in a controlled environment. Values are conservatively derived from those numbers.

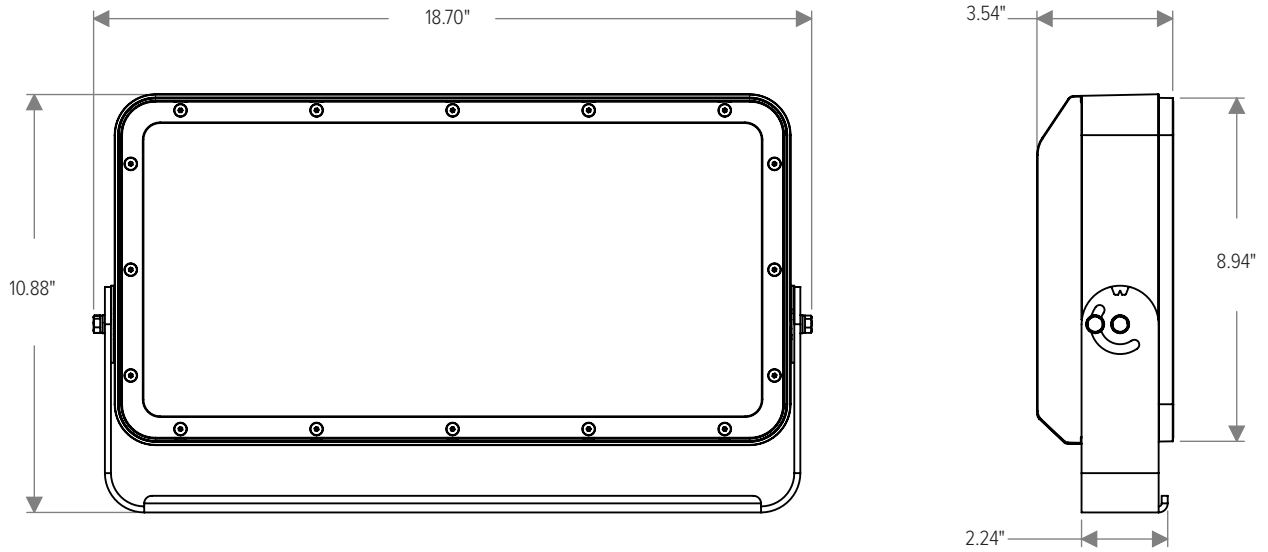
CAPITAL 200

Static White

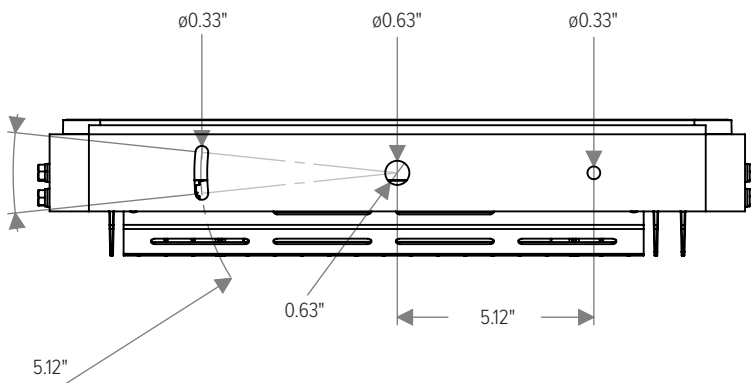


DIMENSIONS

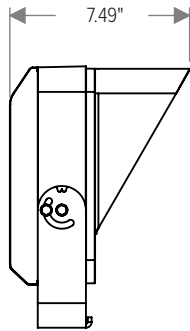
All dimensions are shown in inches unless otherwise noted.



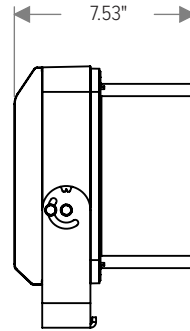
MOUNTING



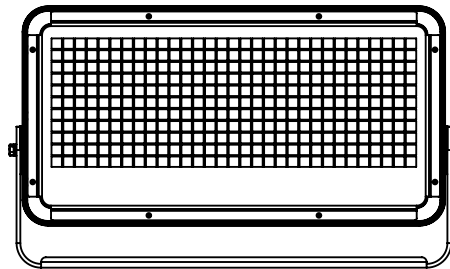
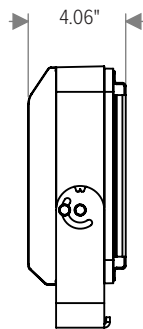
ACCESSORY DIMENSIONS



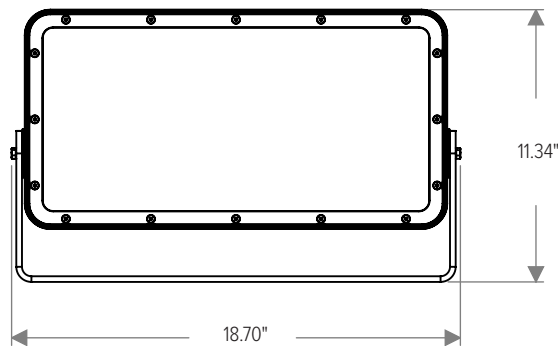
With Visor (CP200-VISOR-XX)



With Snoot (CP200-SNOOT-XX)



With Wire Guard (CP200-WIREGUARD-XX)



With 3G Mounting Yoke (Ordered with Luminaire)

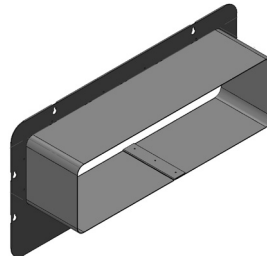
ACCESSORIES

NOTE: Accessories are ordered and shipped separately from luminaire for field installation.

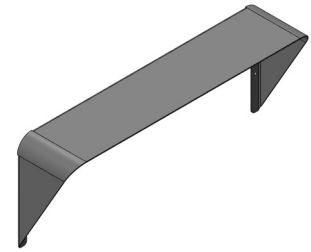
-XX* indicates a painted accessory. See bottom of page for painted accessory ordering information.



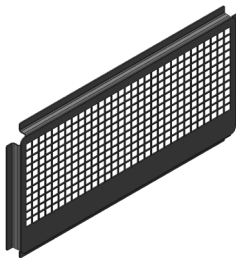
IR-CONFIG-REMOTE
Infrared Configuration Remote



CP200-SNOOT-XX*
Snoot



CP200-VISOR-XX*
Visor



CP200-WIREGUARD-XX*
Wire Guard

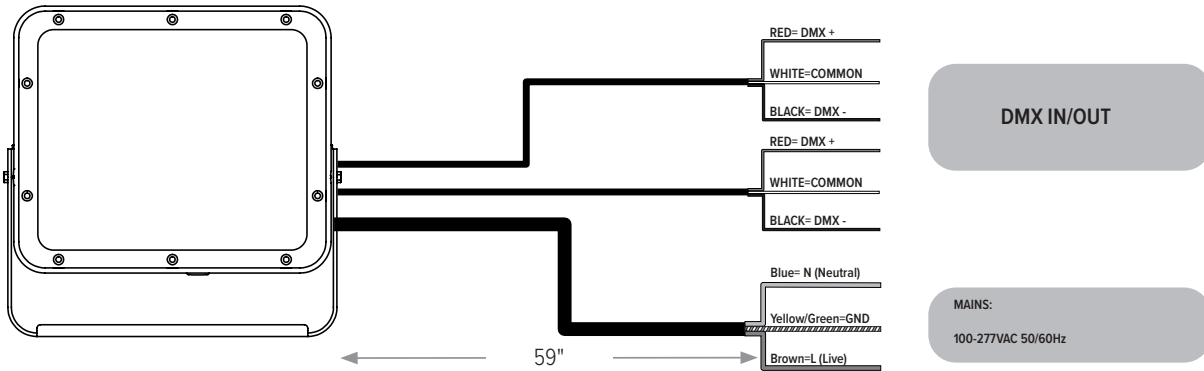
ORDERING INFORMATION

PAINTED ACCESSORIES

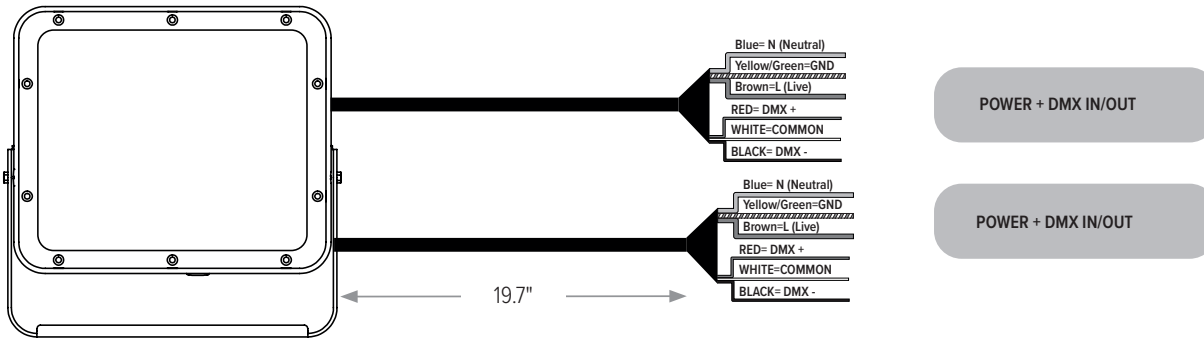
MODEL		FINISH (*-XX)		OPTION	
CP200-SNOOT	Snoot	AG	Anthracite Grey	AST	Anti-Saline Treatment
CP200-VISOR	Visor	BL	Black		
CP200-WIREGUARD	Wire Guard	SG	Griven Silver Grey		
		WH	White		
		CC	Custom RAL Color		

CONNECTIONS

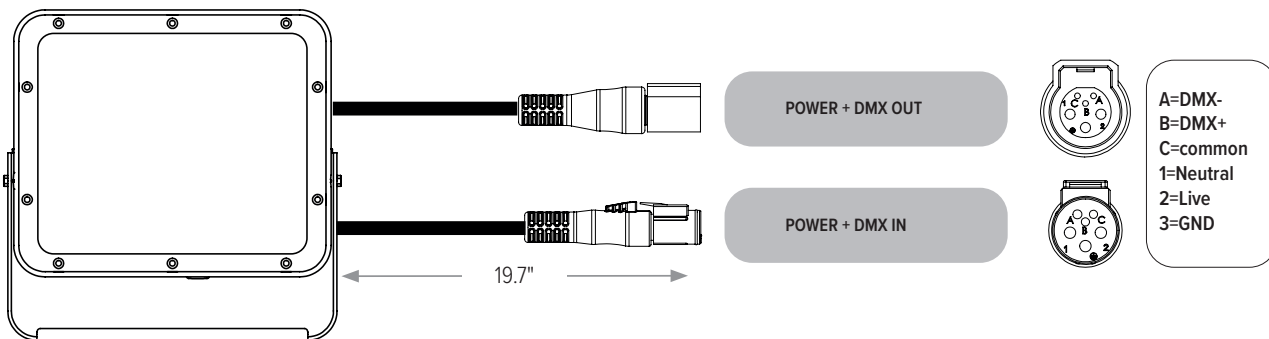
"S" Type Cable (Power In, DMX In, DMX Out)



"M" Type Cable (Monocable Without Connectors)



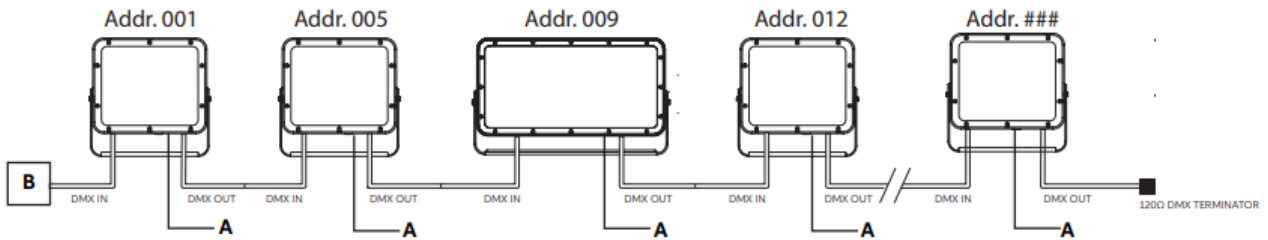
"C" Type Cable (Monocable With Connectors)



Note: the power and signal connections of S and M cable types can be carried out by using the connection kit included in the packing box. Follow the instructions provided along with the connection kit.

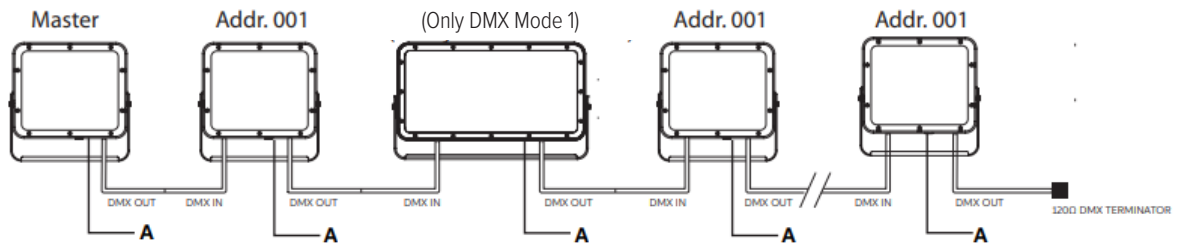
OPERATING MODES

DMX Mode



Example with fixtures set to 4 DMX channels

Master-Satellite/Automatic/Fixed Color Mode



WARNING ! in this mode, no DMX control device must be present along the line.