

DESCRIPTION

CAPITAL 200 US accentuates the designer's palette with an ultra-narrow 4° beam using 40 high-power LEDs fitted with precision optics. Grazing of vertical columnar features or illumination of objects at distance both benefit from the high-performance of this luminaire.



Date: _____ Type: _____ Catalog Number: _____

Project Name: _____

ORDERING INFORMATION

LUMINAIRE							
MODEL	CCT	CONTROL	CABLE	VOLTAGE	OPTIC *	FINISH	OPTION
CP200US Capital 200 Ultra-Spot	RGBW30K RGBW 3000K	DMX-RDM DMX-RDM	S Power in (7.9"), DMX in, DMX out (59")	UNV 120 - 277V	US Ultra Spot 3.2°	AG Anthracite Grey	MG Marine Grade
CP200USPE Capital 200 Ultra-Spot Polar Edition	RGBW40K RGBW 4000K		M Monocable without connectors (19.7")			BL Black	3G 3G Mounting Yoke
			C Monocable with connectors (19.7")			SG Griven Silver Grey	
						WH White	
						CC Custom RAL Color	

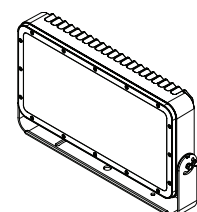
		CAPITAL 200 US
PHYSICAL	HOUSING	Die-cast Aluminum
	HOUSING DIMENSIONS	18.7" W x 8.9" H x ø3.5"
	OVERALL DIMENSIONS	18.7" W x 10.9" H x ø3.5"
	WEIGHT	21 lbs
	EPA	1.33 ft ²
	OPERATING TEMPERATURE	-40°C to 50°C (-40°F to 122°F)

ELECTRICAL	POWER CONSUMPTION	106 watts max		
	AMPERAGE	1.0A @ 120V or 0.4A @ 277V		
	CONTROL	DMX/RDM Includes onboard standalone sequencing or master-satellite operation without DMX control systems when programmed with infra-red configuration remote (Ordering code AL1321)		
	CABLE LENGTHS	Power in: 7.87 inches / DMX In & Out: 59.06 inches		
	MODES	- RGBW (4 channels)	- 16-Bit Mode (8 channels)	- Master Satellite Mode
		- RGBW + Intensity (5 channels)	- RGBW Calibrated White (4 channels)	
		-RGBW + Intensity + Strobe (6 channels) - Fixed Color		

PHOTOMETRIC	LED	RGBW (3000K or 4000K White)		
	# LEDS	40 high power LEDs		
	DELIVERED LUMEN OUTPUT	4479 lumens		
	EFFICACY	46 lumens per watt		
	L70 LUMEN MAINTENANCE	100,000 Hours @ 25°C		
	# DISTRIBUTIONS	Ultra Spot		
	LIGHT CONTROL ACCESSORIES	Visor, Shoot, Wire Guard, Spreading Diffusers (Contact Factory)		

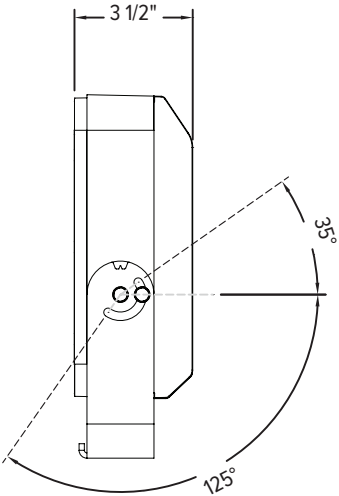
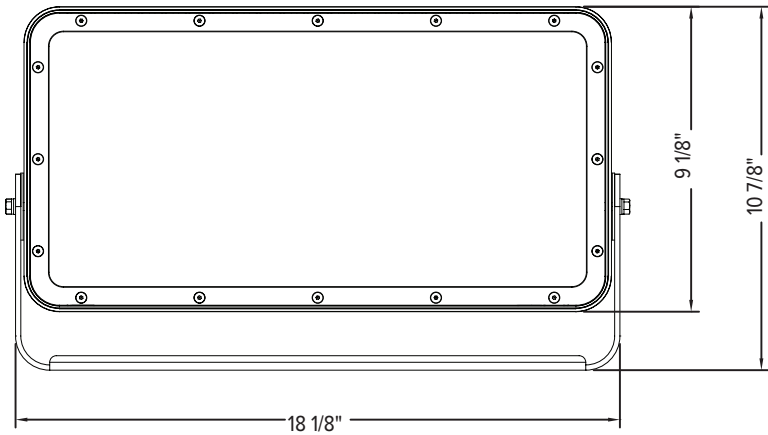
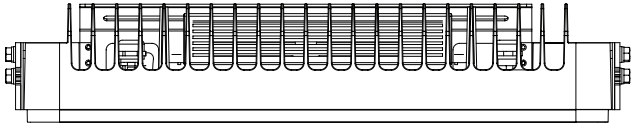
LIGHT DISTRIBUTIONS*	DISTRIBUTION	BEAM ANGLE	LUMENS	MAX CANDELA
* Values based on full output.	ULTRA SPOT	3.2°	4479	609,376

CERTIFICATIONS	SAFETY	ETL Listed for Wet Locations		
	INGRESS PROTECTION	IP67		
	IMPACT RATING	IK09		
	EUROPEAN	RoHS		

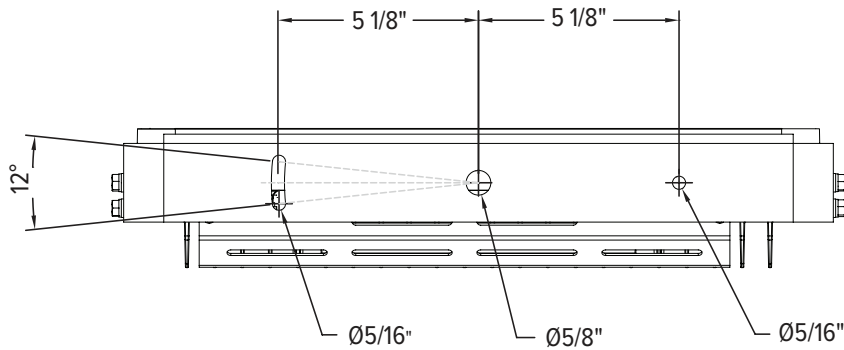


DIMENSIONS

All dimensions are shown in inches unless otherwise noted.



MOUNTING

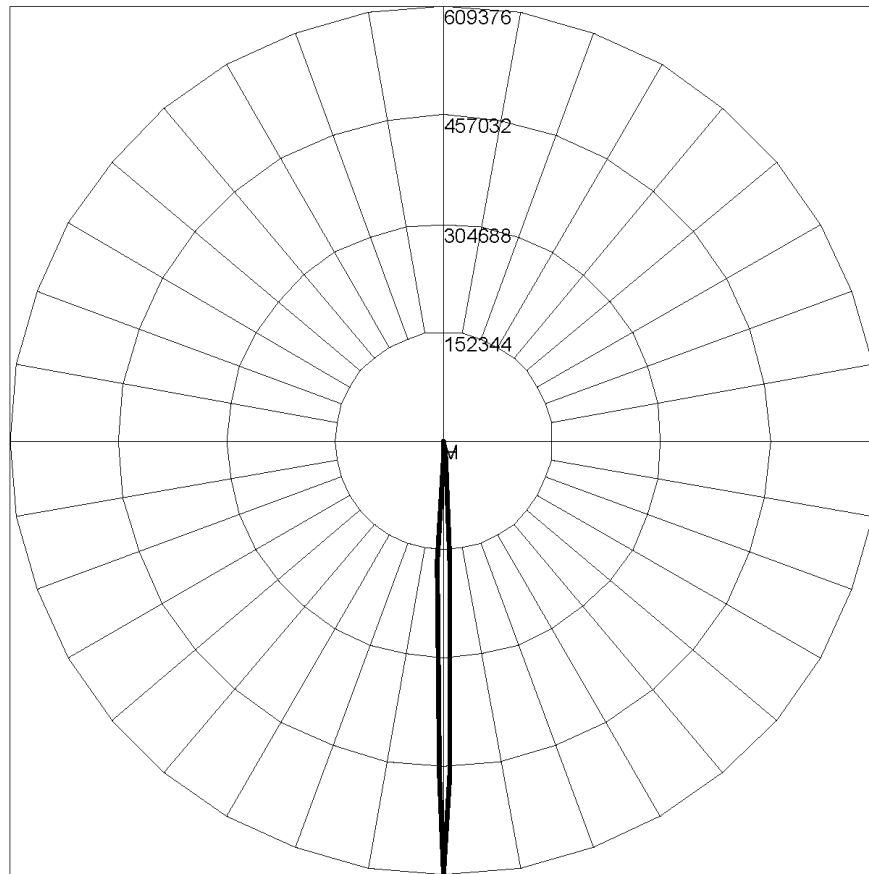


PHOTOMETRICS - RGBW CANDELA DISTRIBUTION

 HORIZONTAL
 VERTICAL

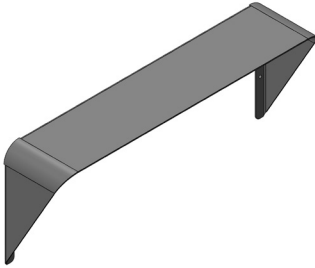
ULTRA SPOT 3.2°

Maximum Candela = 609376 / 4479 lms

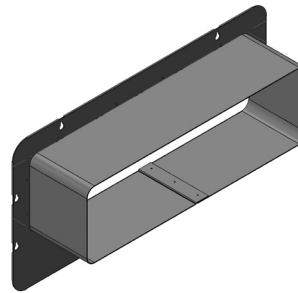


Maximum Candela = 609376.09 Located At Horizontal Angle = 0, Vertical Angle = 0
H - Horizontal Axial Candela
V - Vertical Axial Candela

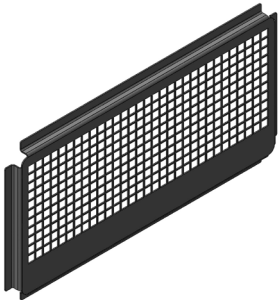
ACCESSORIES



AL8229-XX*
Visor



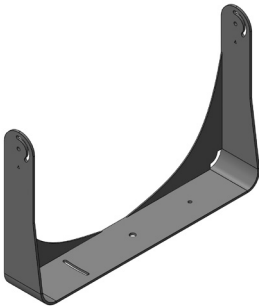
AL8230-XX*
Snoot



AL8231-XX*
Wire Guard



AL1321
Infrared Configuration Remote



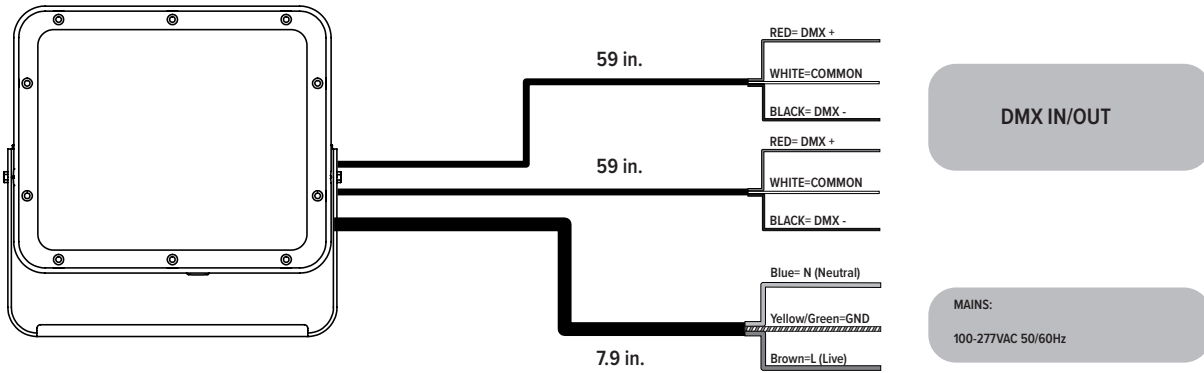
AL8259-XX*
3G Mounting Yoke

XX*- ACCESSORY FINISHES

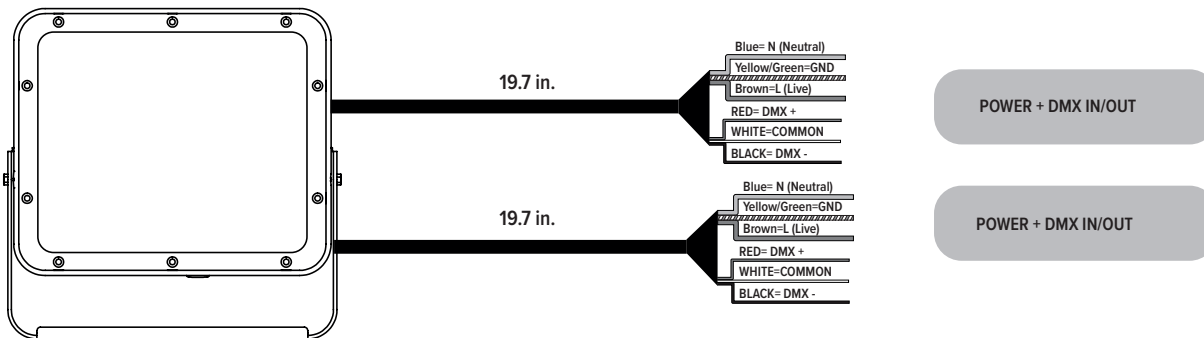
AG	Anthracite Grey
BL	Black
SG	Griven Silver Grey
WH	White
CC	Custom Color

Connection

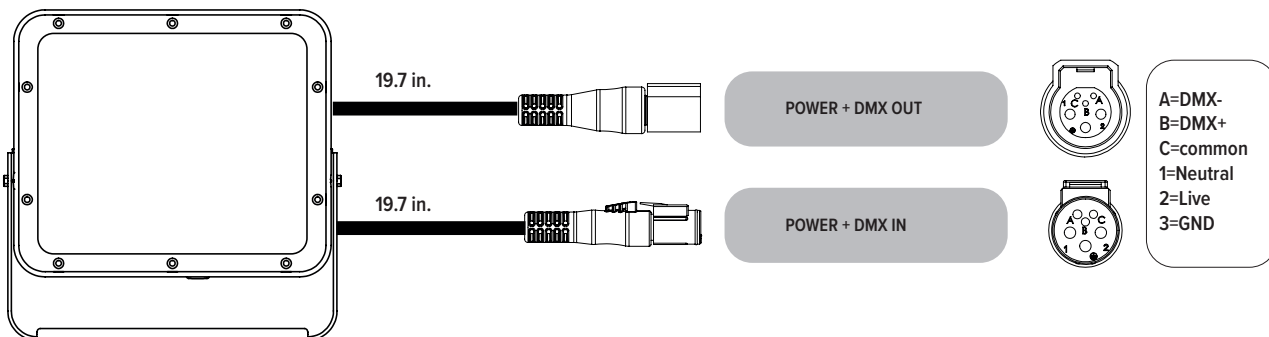
“S” type cable (Power in, DMX In, DMX Out)



“M” type cable (Monocable without connectors)



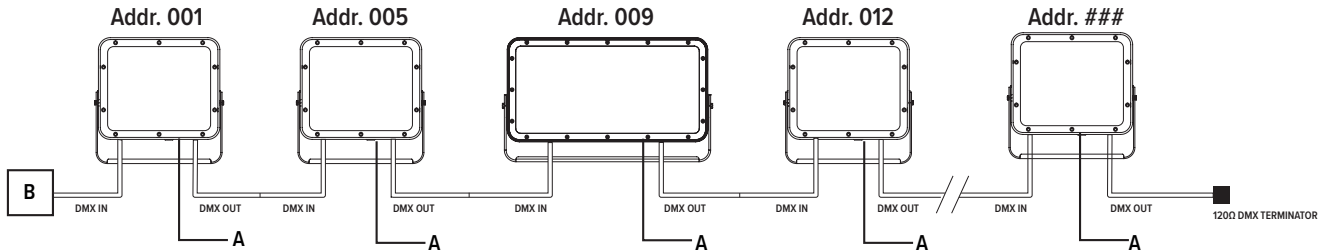
“C” type cable (Monocable + connectors)



Note: the power and signal connections of S and M cable types can be carried out by using the connection kit included in the packing box. Follow the instructions provided along with the connection kit.

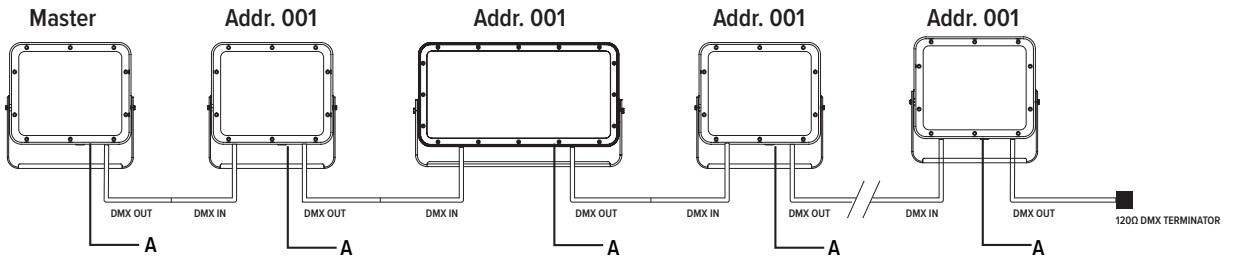
Operating modes

DMX Mode



Example with fixtures set to 4 DMX channels

Master-Slave / Automatic / Fixed color Mode (Only DMX Mode #1)



WARNING ! in this mode, no DMX control device must be present along the line.