

CAPITAL 200 MC

Dynamic White



DESCRIPTION

CAPITAL 200 MC delivers an outstanding performance within a strikingly compact body. Tailored to meet the needs of demanding architectural lighting specifications, this flexible and highly versatile floodlight is suitable for a variety of installations where a reduced mounting footprint is desired.



Date: _____ Type: _____ Catalog Number: _____

Project Name: _____

ORDERING INFORMATION

LUMINAIRE							
MODEL	CCT	CONTROL	CABLE	VOLTAGE	OPTIC *	FINISH	OPTION
CP200MC Capital 200 MC	DW Dynamic White (3000K to 6500K)	DMX-RDM DMX-RDM	S Power in (7.9"), DMX in, DMX out (59")	UNV 120 - 277V	SP Spot 7°	AG Anthracite Grey	AST Anti-Saline Treatment
CP200MCPE Capital 200 MC Polar Edition			M Monocable without connectors (19.7")		NB Narrow 10°	BL Black	3G 3G Mounting Yoke
			C Monocable with connectors (19.7")		MB Medium 23°	SG Griven Silver Grey	
					WB Wide 35°	WH White	
						CC Custom RAL Color	

*Consult factory for availability of other optical options.

See Page 5 for ordering information of available accessories.

CAPITAL 200 MC

Dynamic White



		CAPITAL 200 MC
PHYSICAL	HOUSING	Die-Cast Aluminum
	OVERALL DIMENSIONS	18.7" L x 3.5" W x 10.9" H
	WEIGHT	21 Pounds
	OPERATING TEMPERATURE	-40°F to 122°F (-40°C to 50°C)

ELECTRICAL	POWER	145 Watts		
	CURRENT	1.21 amps at 120 volts 0.52 amps at 277 volts		
	CONTROL	DMX-RDM, Standalone Onboard Sequencing, or Master-Satellite Operation		
	CABLE	S Cable	M Cable	C Cable
		Power In, DMX In, DMX Out Cables	6-Polarity In and Out Power/Data Monocable Without Connectors	6-Polarity In and Out Power/Data Monocable With Connectors
	CABLE LENGTH	59"	19.7"	19.7"
MODES	- DW (2 Channels) - DW + Intensity (3 Channels) - DW 16-Bit Mode (4 Channels)		- Master/Satellite - Stand-Alone Fixed CCT	

PHOTOMETRIC	LED	Dynamic White (3000K to 6500K)		
	NUMBER OF LEDS	16 Quad-Chip LEDs		
	DRIVER LOCATION	Integral		
	DELIVERED LUMEN OUTPUT	up to 11,869 lumens		
	EFFICACY	up to 74 lumens per watt		
	LUMEN MAINTENANCE	L70 > 100,000 Hours at 77°F*		
	LIGHT CONTROL ACCESSORIES	Snoot, Visor Available		

LIGHT DISTRIBUTIONS	DISTRIBUTION	BEAM ANGLE	LUMENS	EFFICACY	MAX. CANDELA
	Spot	7°	11869	82	475,590
	Narrow	10°	11381	78	256,423
	Medium	23°	10875	75	58,813
	Wide	35°	10546	73	27,953

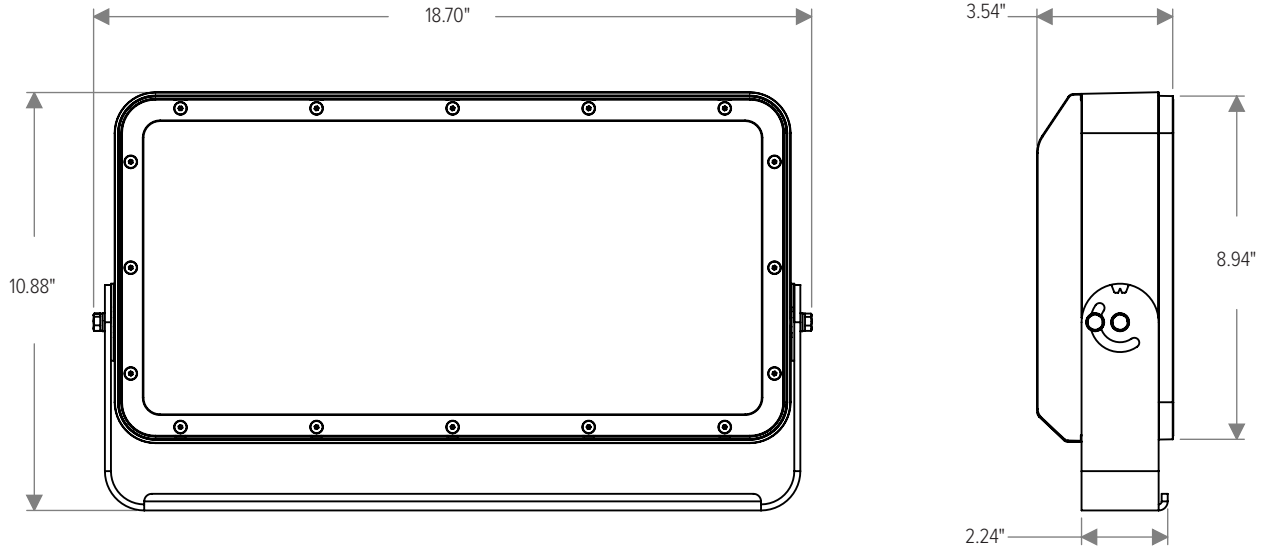
Values based on full output.

CERTIFICATIONS	SAFETY	ETL Certified for Wet Locations			
	INGRESS PROTECTION	IP67			
	IMPACT RATING	IK09			
	WARRANTY	Five Year Limited Warranty			

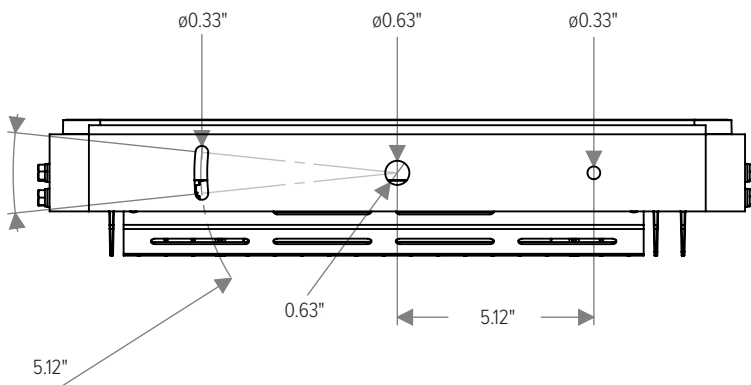
* LED life may vary under actual field conditions due to external factors. Lifetime estimates are generated from actual testing in a controlled environment. Values are conservatively derived from those numbers.

DIMENSIONS

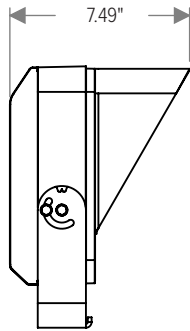
All dimensions are shown in inches unless otherwise noted.



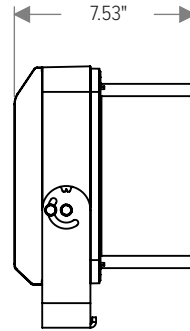
MOUNTING



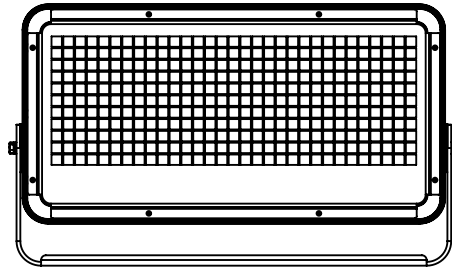
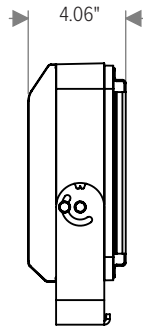
ACCESSORY DIMENSIONS



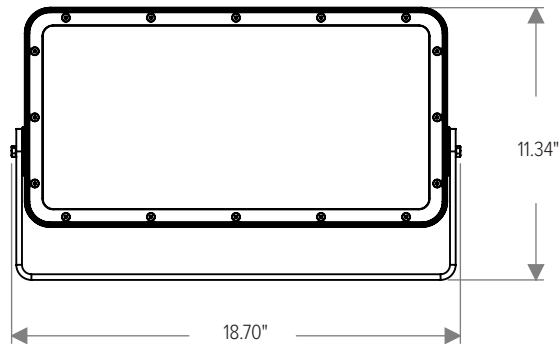
With Visor (CP200-VISOR-XX)



With Snoot (CP200-SNOOT-XX)



With Wire Guard (CP200-WIREGUARD-XX)



With 3G Mounting Yoke (Ordered with Luminaire)

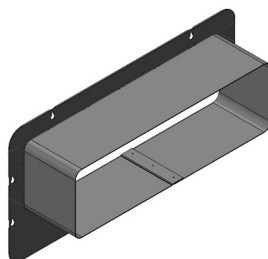
ACCESSORIES

NOTE: Accessories are ordered and shipped separately from luminaire for field installation.

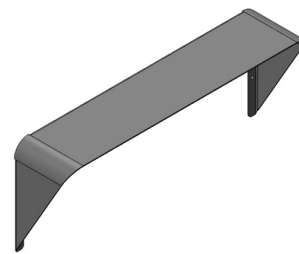
-XX* indicates a painted accessory. See bottom of page for painted accessory ordering information.



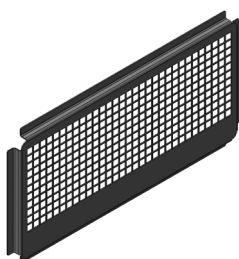
IR-CONFIG-REMOTE
Infrared Configuration Remote



CP200-SNOOT-XX*
Snoot



CP200-VISOR-XX*
Visor



CP200-WIREGUARD-XX*
Wire Guard

ORDERING INFORMATION

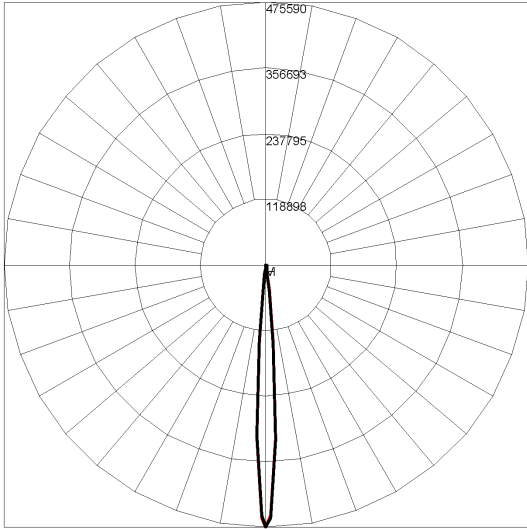
PAINTED ACCESSORIES

MODEL		FINISH (*-XX)		OPTION	
CP200-SNOOT	Snoot	AG	Anthracite Grey	AST	Anti-Saline Treatment
CP200-VISOR	Visor	BL	Black		
CP200-WIREGUARD	Wire Guard	SG	Griven Silver Grey		
		WH	White		
		CC	Custom RAL Color		

PHOTOMETRICS - DYNAMIC WHITE CANDELA DISTRIBUTION — HORIZONTAL — VERTICAL

SPOT 7°

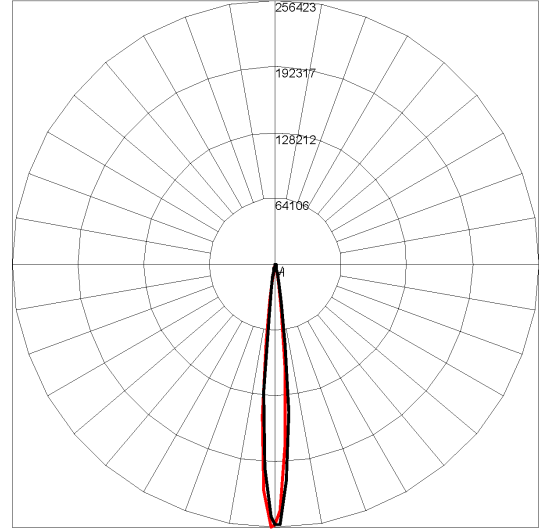
Maximum Candela = 475590 / 11869 Lumens



Maximum Candela = 475590.344 Located At Horizontal Angle = 0, Vertical Angle = 0
H - Horizontal Axial Candela
V - Vertical Axial Candela

NARROW 10°

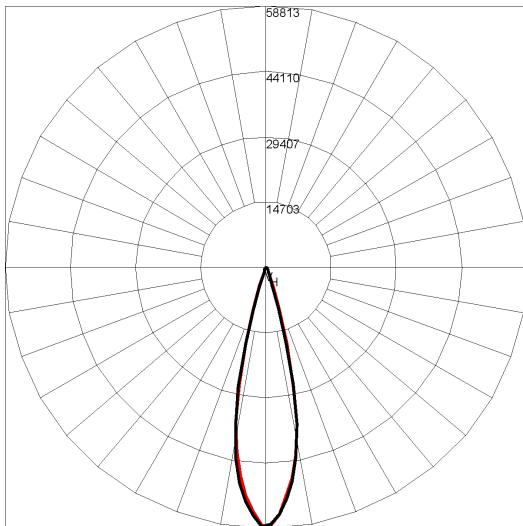
Maximum Candela = 256423 / 11381 Lumens



Maximum Candela = 256423.063 Located At Horizontal Angle = -1, Vertical Angle = 0
H - Horizontal Axial Candela
V - Vertical Axial Candela

MEDIUM 23°

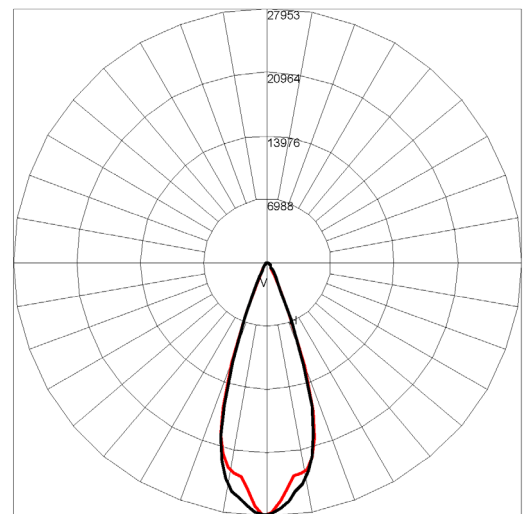
Maximum Candela = 58813 / 10875 Lumens



Maximum Candela = 58813.012 Located At Horizontal Angle = -1, Vertical Angle = -1
H - Horizontal Axial Candela
V - Vertical Axial Candela

WIDE 35°

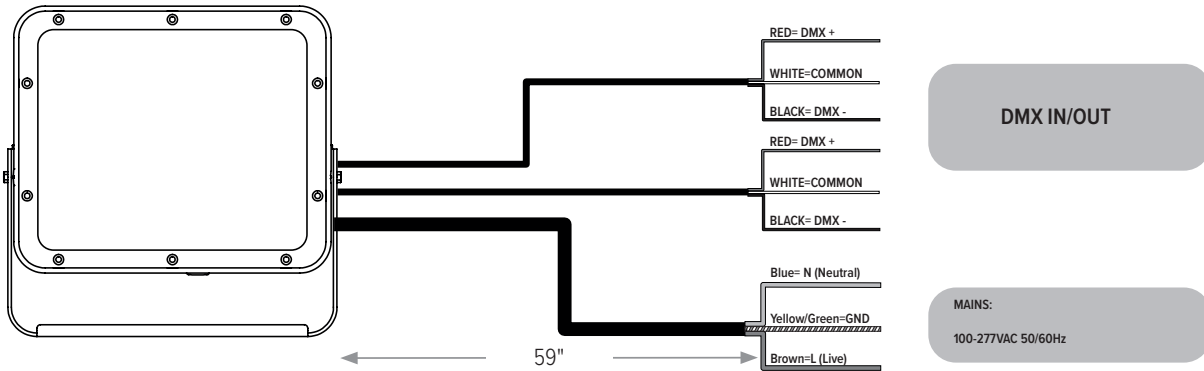
Maximum Candela = 27953 / 10546 Lumens



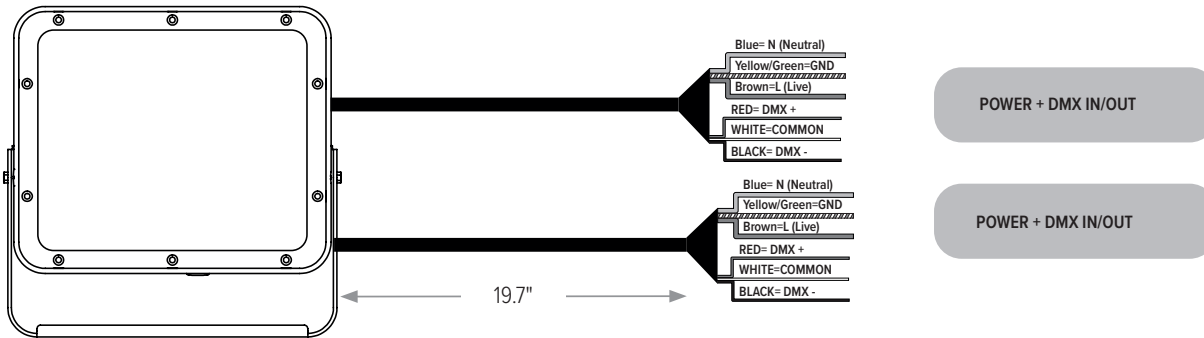
Maximum Candela = 27952.558 Located At Horizontal Angle = -1, Vertical Angle = -1
H - Horizontal Axial Candela
V - Vertical Axial Candela

CONNECTIONS

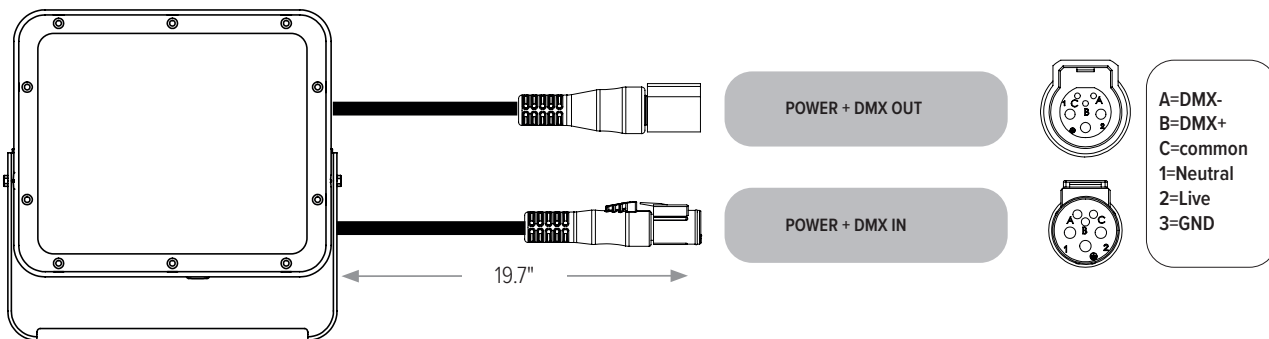
"S" Type Cable (Power In, DMX In, DMX Out)



"M" Type Cable (Monocable Without Connectors)



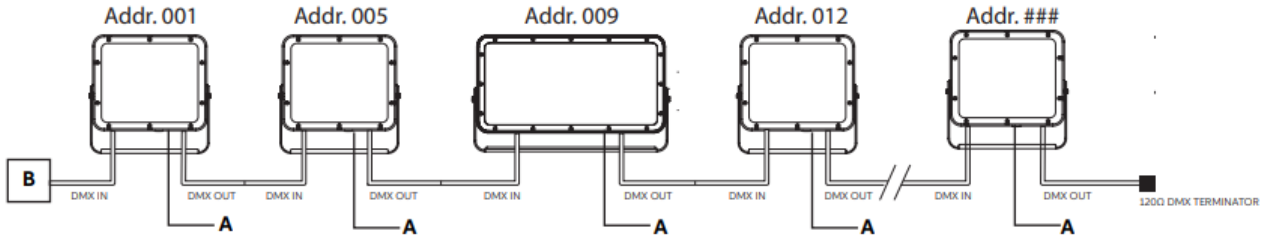
"C" Type Cable (Monocable With Connectors)



Note: the power and signal connections of S and M cable types can be carried out by using the connection kit included in the packing box. Follow the instructions provided along with the connection kit.

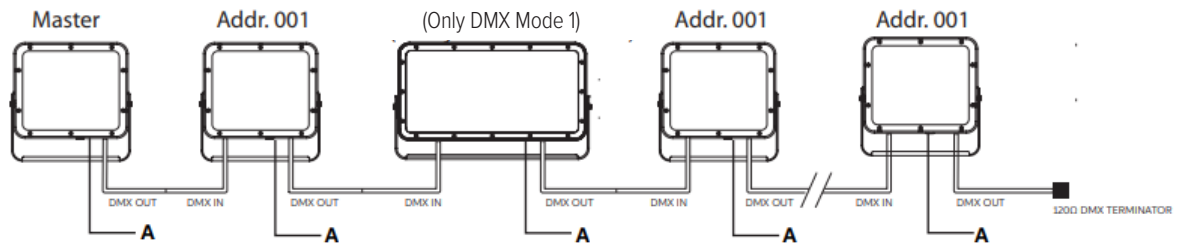
OPERATING MODES

DMX Mode



Example with fixtures set to 4 DMX channels

Master-Satellite/Automatic/Fixed Color Mode



WARNING ! in this mode, no DMX control device must be present along the line.