

## DESCRIPTION

CAPITAL 200 MC delivers superior color-mixing through quad-chip LEDs and precision lens technology within a strikingly compact body. Tailored to meet the needs of demanding architectural lighting specifications, this flexible and highly versatile floodlight is suitable for a variety of installations where a reduced mounting footprint is desired.



Date: \_\_\_\_\_ Type: \_\_\_\_\_ Catalog Number: \_\_\_\_\_

Project Name: \_\_\_\_\_

## ORDERING INFORMATION

LUMINAIRE							
MODEL	CCT	CONTROL	CABLE	VOLTAGE	OPTIC *	FINISH	OPTION
CP200MC Capital 200 MC	RGBW30K RGBW 3000K	DMX-RDM DMX-RDM	S Power in (7.9"), DMX in, DMX out (59")	UNV 120 - 277V	SP Spot 7°	AG Anthracite Grey	AST Anti-Saline Treatment
CP200MCPE Capital 200 MC Polar Edition	RGBW40K RGBW 4000K		M Monocable without connectors (19.7")		NB Narrow 10°	BL Black	3G 3G Mounting Yoke
			C Monocable with connectors (19.7")		MB Medium 23°	SG Griven Silver Grey	
					WB Wide 35°	WH White	
						CC Custom RAL Color	

\* Consult factory for availability of other optical options.

See Page 5 for ordering information of available accessories.

		CAPITAL 200 MC
PHYSICAL	HOUSING	Die-Cast Aluminum
	OVERALL DIMENSIONS	18.7" L x 3.5" W x 10.9" H
	WEIGHT	21 Pounds
	OPERATING TEMPERATURE	-40°F to 122°F (-40°C to 50°C)

ELECTRICAL	POWER	159 Watts		
	CURRENT	1.33 amps at 120 volts 0.57 amps at 277 volts		
	CONTROL	DMX-RDM, Standalone Onboard Sequencing, or Master-Satellite Operation		
	CABLE	S Cable	M Cable	C Cable
		Power In, DMX In, DMX Out Cables	6-Polarity In and Out Power/Data Monocable Without Connectors	6-Polarity In and Out Power/Data Monocable With Connectors
	CABLE LENGTH	59"	19.7"	19.7"
MODES	- RGBW (4 Channels) - RGBW + Intensity (5 Channels) - RGBW 16-Bit (8 Channels) - Fixed Color		- Master/Satellite - RGBW Calibrated White (4 Channels) - RGBW + Intensity + Strobe (6 Channels)	

PHOTOMETRIC	LED	RGBW (3000K or 4000K White)		
	NUMBER OF LEDS	16 Quad-Chip LEDs		
	DRIVER LOCATION	Integral		
	DELIVERED LUMEN OUTPUT	up to 6876 lumens		
	EFFICACY	up to 43 lumens per watt		
	LUMEN MAINTENANCE	L70 > 100,000 Hours at 77°F*		
	LIGHT CONTROL ACCESSORIES	Snoot, Visor Available		

LIGHT DISTRIBUTIONS	DISTRIBUTION	BEAM ANGLE	LUMENS	EFFICACY	MAX. CANDELA
	Spot	7°	6876	43	279,760
	Narrow	10°	6694	42	150,820
	Medium	23°	6397	40	34,595
	Wide	35°	6203	39	16,441

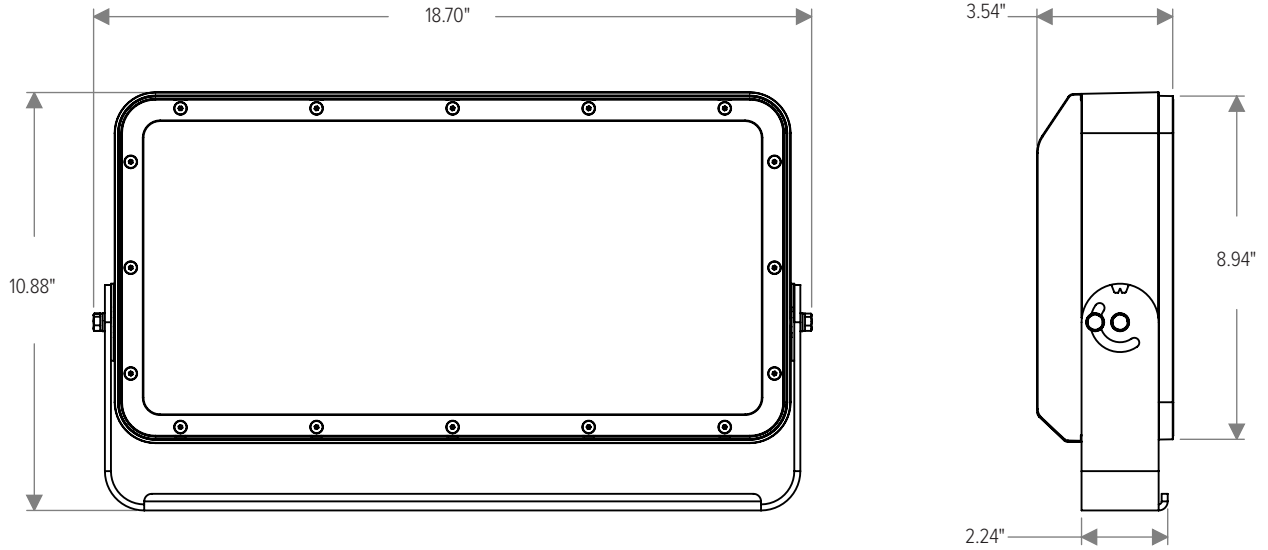
Values based on full output.

CERTIFICATIONS	SAFETY	ETL Certified for Wet Locations			
	INGRESS PROTECTION	IP67			
	IMPACT RATING	IK09			
	WARRANTY	Five Year Limited Warranty			

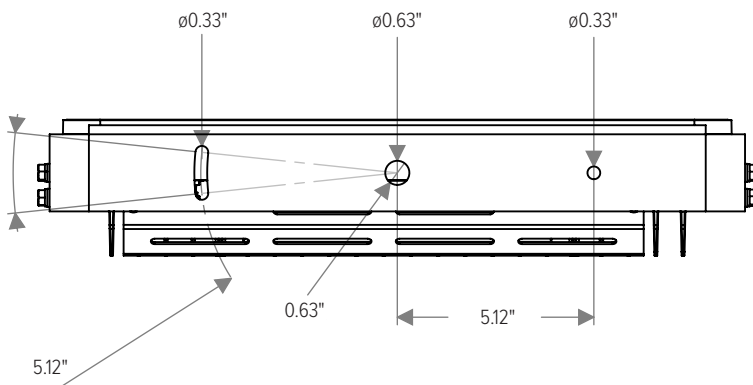
\* LED life may vary under actual field conditions due to external factors. Lifetime estimates are generated from actual testing in a controlled environment. Values are conservatively derived from those numbers.

DIMENSIONS

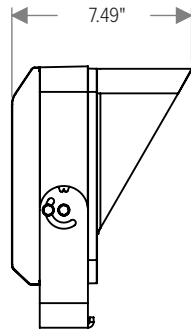
All dimensions are shown in inches unless otherwise noted.



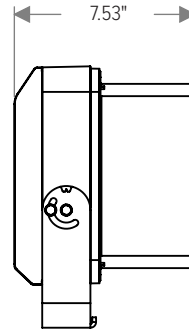
MOUNTING



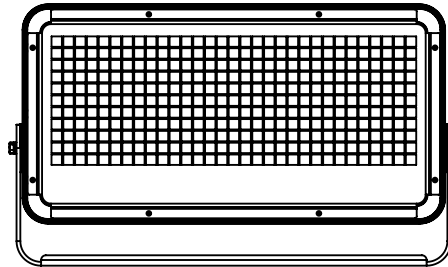
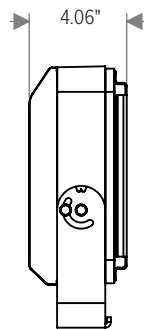
ACCESSORY DIMENSIONS



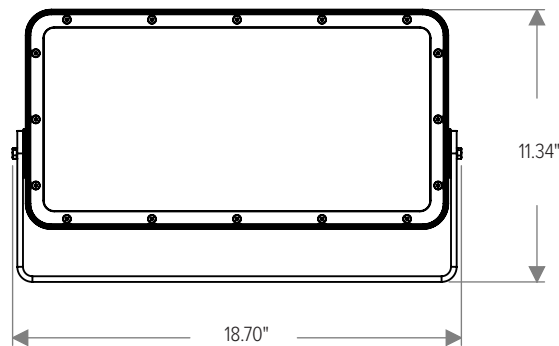
With Visor (CP200-VISOR-XX)



With Snoot (CP200-SNOOT-XX)



With Wire Guard (CP200-WIREGUARD-XX)



With 3G Mounting Yoke (Ordered with Luminaire)

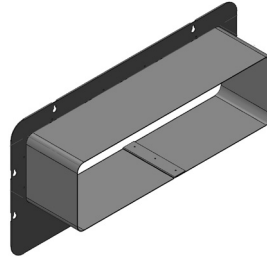
ACCESSORIES

NOTE: Accessories are ordered and shipped separately from luminaire for field installation.

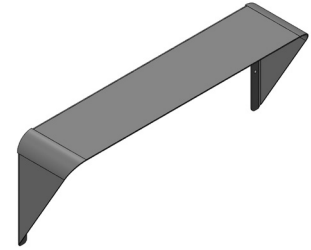
-XX\* indicates a painted accessory. See bottom of page for painted accessory ordering information.



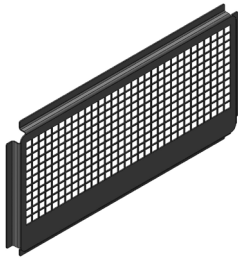
**IR-CONFIG-REMOTE**  
Infrared Configuration Remote



**CP200-SNOOT-XX\***  
Snoot



**CP200-VISOR-XX\***  
Visor



**CP200-WIREGUARD-XX\***  
Wire Guard

ORDERING INFORMATION

PAINTED ACCESSORIES

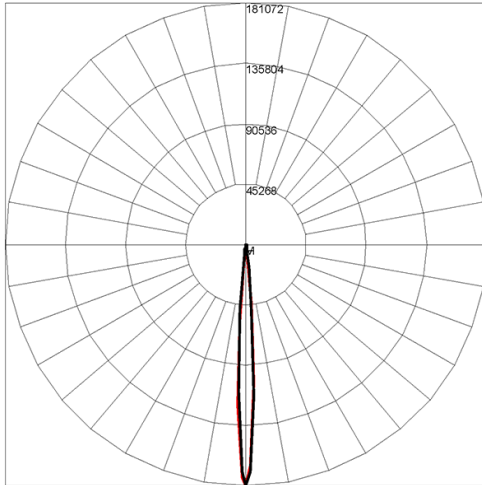
MODEL		FINISH (*-XX)		OPTION	
CP200-SNOOT	Snoot	AG	Anthracite Grey	AST	Anti-Saline Treatment
CP200-VISOR	Visor	BL	Black		
CP200-WIREGUARD	Wire Guard	SG	Griven Silver Grey		
		WH	White		
		CC	Custom RAL Color		

PHOTOMETRICS - DYNAMIC WHITE CANDELA DISTRIBUTION

— HORIZONTAL  
— VERTICAL

**SPOT 7°**

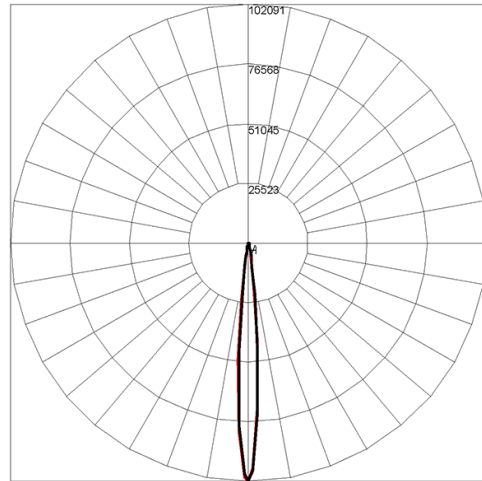
Maximum Candela = 279760 / 6876 Lumens



Maximum Candela = 181071.516 Located At Horizontal Angle = 0, Vertical Angle = 0  
H - Horizontal Axial Candela  
V - Vertical Axial Candela

**NARROW 10°**

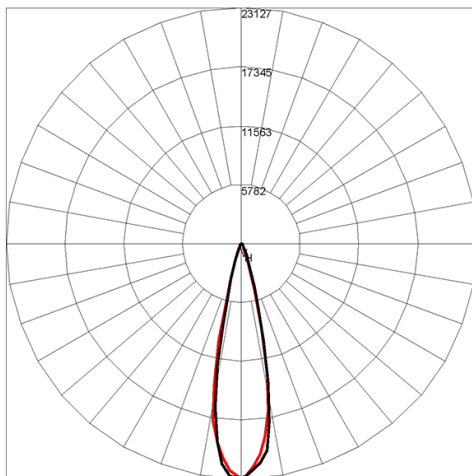
Maximum Candela = 150820 / 6694 Lumens



Maximum Candela = 102090.672 Located At Horizontal Angle = 0, Vertical Angle = 0  
H - Horizontal Axial Candela  
V - Vertical Axial Candela

**MEDIUM 23°**

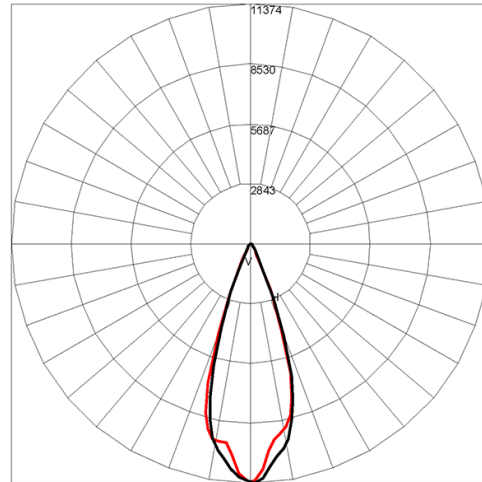
Maximum Candela = 34595 / 6397 Lumens



Maximum Candela = 23126.968 Located At Horizontal Angle = -1, Vertical Angle = -1  
H - Horizontal Axial Candela  
V - Vertical Axial Candela

**WIDE 35°**

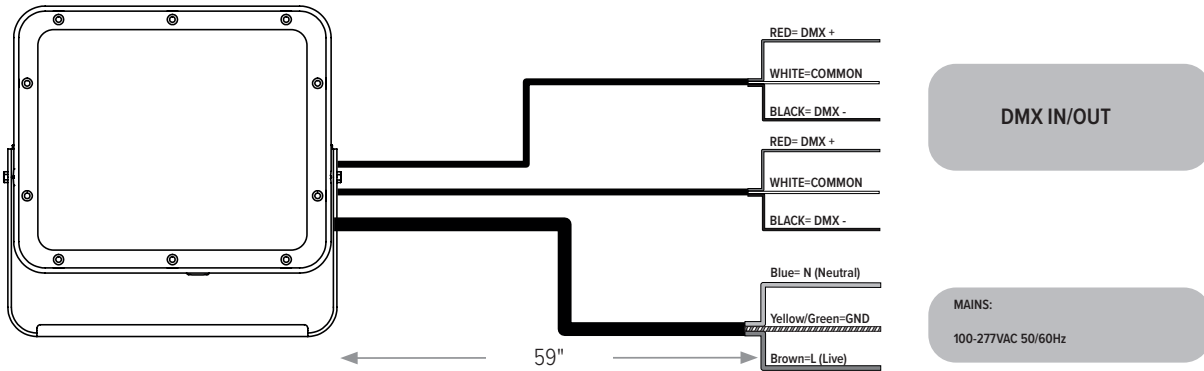
Maximum Candela = 16441 / 6203 Lumens



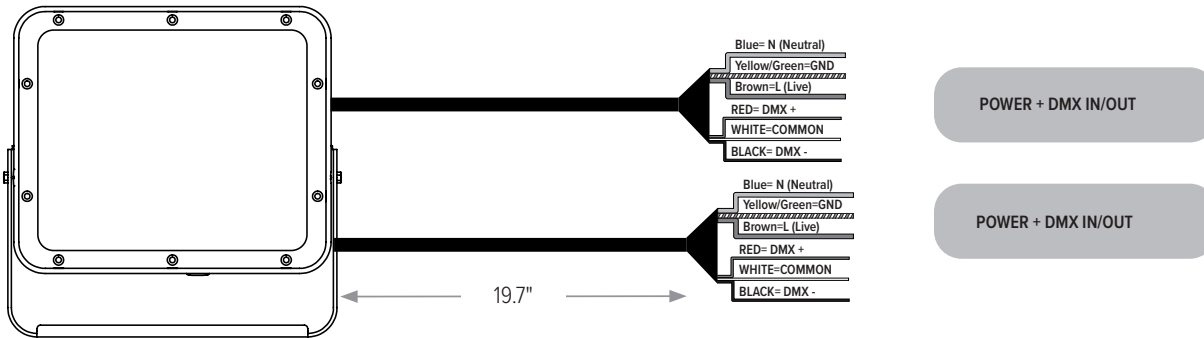
Maximum Candela = 11373.87 Located At Horizontal Angle = 0, Vertical Angle = 1  
H - Horizontal Axial Candela  
V - Vertical Axial Candela

CONNECTIONS

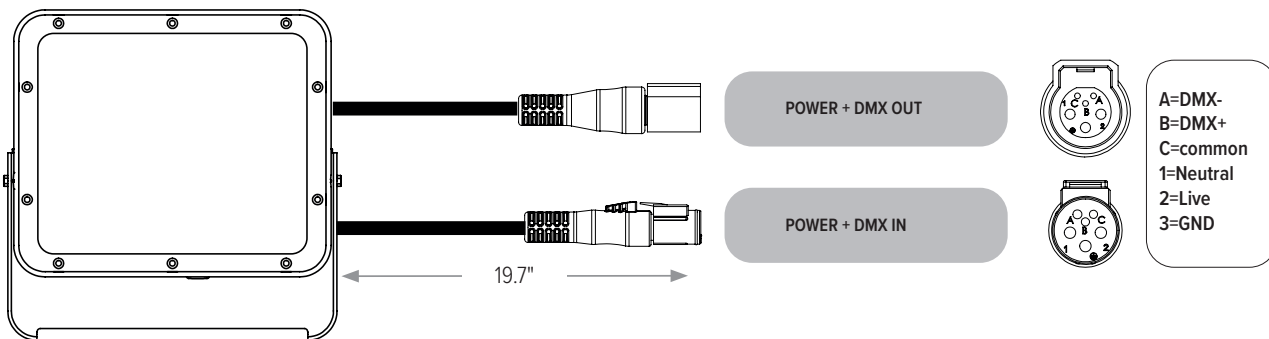
"S" Type Cable (Power In, DMX In, DMX Out)



"M" Type Cable (Monocable Without Connectors)



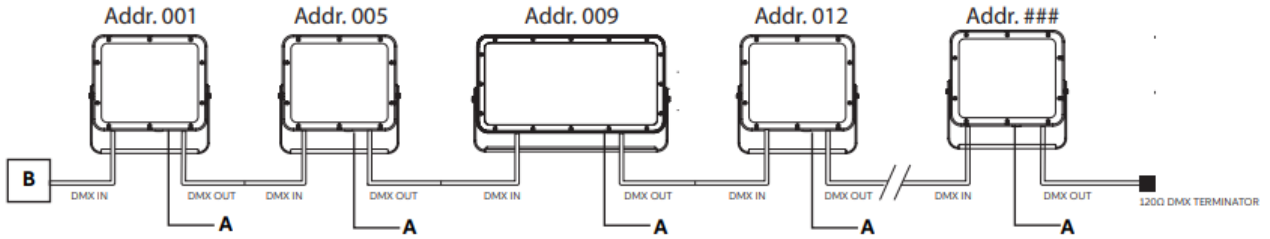
"C" Type Cable (Monocable With Connectors)



Note: the power and signal connections of S and M cable types can be carried out by using the connection kit included in the packing box. Follow the instructions provided along with the connection kit.

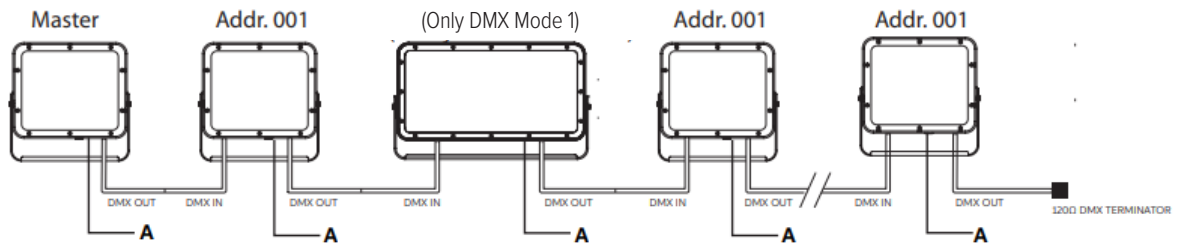
OPERATING MODES

DMX Mode



Example with fixtures set to 4 DMX channels

Master-Satellite/Automatic/Fixed Color Mode



**WARNING !** in this mode, no DMX control device must be present along the line.