

DESCRIPTION

CAPITAL 300 is the ideal solution for the dramatic illumination of large-scale façades and high-rise buildings calling for high impact lighting. With an industry leading high lumen package, this luminaire effectively satisfies illumination requirements ranging from wall wash applications to enhancement of architectural elements.



Date: _____ Type: _____ Catalog Number: _____

Project Name: _____

ORDERING INFORMATION

LUMINAIRE							
MODEL	CCT	CONTROL	CABLE	VOLTAGE	OPTIC	FINISH	OPTION
CP300 Capital 300	27K 2700K	DMX-RDM DMX/RDM	S Power in (7.9"), DMX in, DMX out (59")	UNV 120 - 277V	SP Spot 13°	AG Anthracite Grey	AST Anti Saline Treatment
CP300PE Capital 300 Polar Edition	30K 3000K		M Monocable without Connectors (19.7")		NB Narrow 16°	BL Black	3G 3G Mounting Yoke
	40K 4000K		C Monocable with Connectors (19.7")		MB Medium 25°	SG Griven Silver Grey	LVR Internal Honeycomb Louver
					WB Wide 46°	WH White	
					EW Extra Wide 64°	CC Custom RAL Color	
					ELH Elliptical Horizontal 40° x 14°		
					ELWH Elliptical Wide Horizontal 38° x 23°		
					WW Wall Wash 36° x 19°		

Custom options are available; consult factory via phone at (864) 487-3535 ext. 258 or via email at DesignServices@EXP-Brands.com.

See Page 5 for ordering information of available accessories.



		CAPITAL 300
PHYSICAL	HOUSING	Die-Cast Aluminum
	OVERALL DIMENSIONS	19.4" L x 4.1" W x 15.1" H
	EPA	1.86 ft ²
	WEIGHT	32.4 Pounds
	OPERATING TEMPERATURE	-40°F to 122°F (-40°C to 50°C)
	DRIVER LOCATION	Integral

ELECTRICAL	POWER	285 Watts		
	POWER SUPPLY	100 to 277VAC; 50-60Hz		
	CURRENT	2.38 amps at 120 volts 1.03 amps at 277 volts		
	CONTROL	DMX-RDM, Standalone, Master-Satellite Operation		
	CABLE	S Cable	M Cable	C Cable
		Power In, DMX In, DMX Out Cables	6-Polarity In and Out Power/Data Monocable Without Connectors	6-Polarity In and Out Power/Data Monocable With Connectors
	CABLE LENGTH	59"	19.7"	19.7"

PHOTOMETRIC	LED	Static White 2700K, 3000K, or 4000K
	DELIVERED LUMEN OUTPUT	up to 27,814 lumens
	EFFICACY	up to 98 lumens per watt
	LUMEN MAINTENANCE	L70 > 100,000 Hours at 77°F*
	LIGHT CONTROL ACCESSORIES	Snoot, Visor, Internal Honeycomb Louver Available

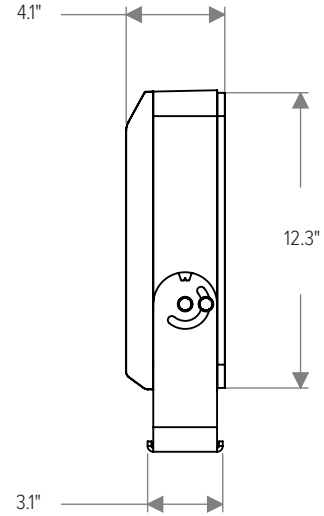
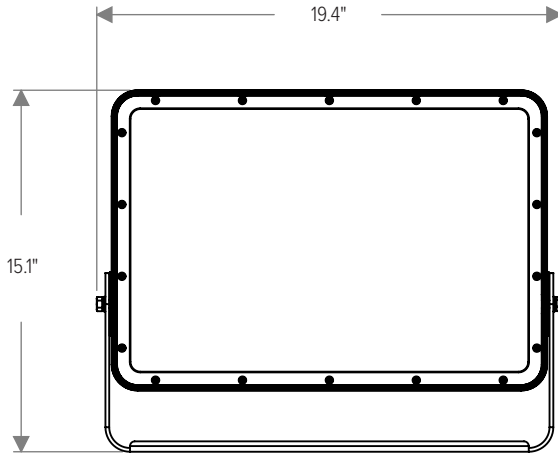
LIGHT DISTRIBUTIONS	DISTRIBUTION	BEAM ANGLE	2700K & 3000K		4000K	
			LUMENS	EFFICACY	LUMENS	EFFICACY
Values based on full output.	Spot	13°	25828	91	27814	98
	Narrow	16°	23734	83	25560	90
	Medium	25°	23661	83	25481	89
	Wide	46°	23892	84	25729	90
	Extra Wide	64°	25194	88	25194	88
	Elliptical Horizontal	40° H x 14° V	23331	82	25125	88
	Elliptical Wide Horizontal	38° H x 23° V	21218	74	22850	80
	Wall Wash	36° H x 19° V with 5° Incline	19887	70	19887	70

CERTIFICATIONS	SAFETY	ETL Certified for Wet Locations
	INGRESS PROTECTION	IP67
	IMPACT RATING	IK09
	WARRANTY	Limited Five Year Warranty

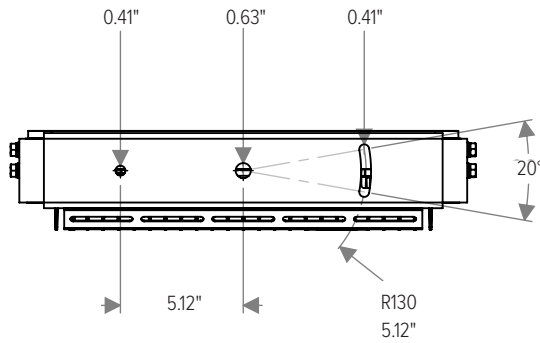
* LED life may vary under actual field conditions due to external factors. Lifetime estimates are generated from actual testing in a controlled environment. Values are conservatively derived from those numbers.

DIMENSIONS

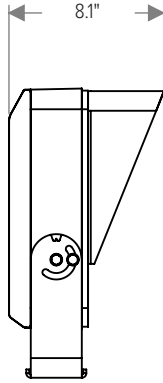
All dimensions are shown in inches unless otherwise noted.



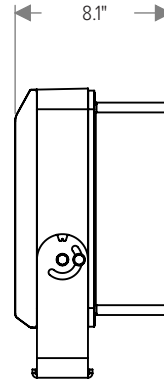
MOUNTING



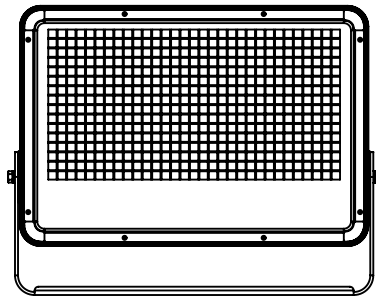
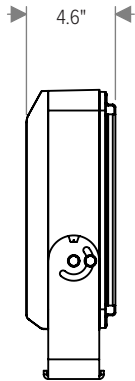
ACCESSORY DIMENSIONS



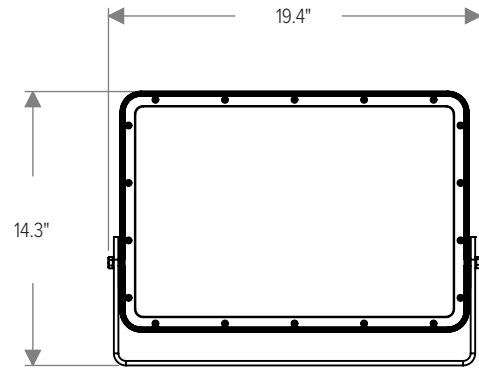
With Visor (CP300-VISOR-XX)



With Snoot (CP300-SNOOT-XX)



With Wire Guard (CP300-WIREGUARD-XX)



With 3G Mounting Yoke
(Factory Installed, Ordered with Luminaire)

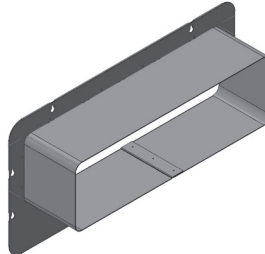
ACCESSORIES

NOTE: Accessories are ordered and shipped separately from luminaire for field installation.

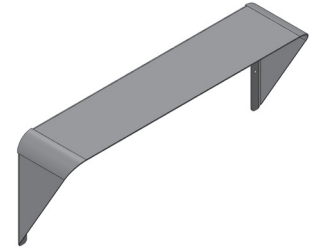
-XX* indicates a painted accessory. See bottom of page for painted accessory ordering information.



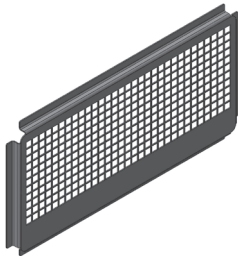
IR-CONFIG-REMOTE
Infrared Configuration Remote



CP300-SNOOT-XX*
Snoot



CP300-VISOR-XX*
Visor



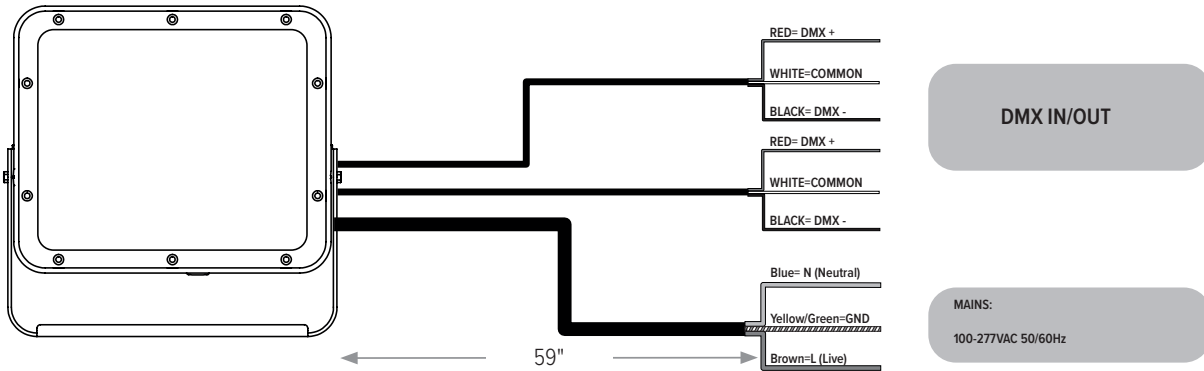
CP300-WIREGUARD-XX*
Wire Guard

ORDERING INFORMATION

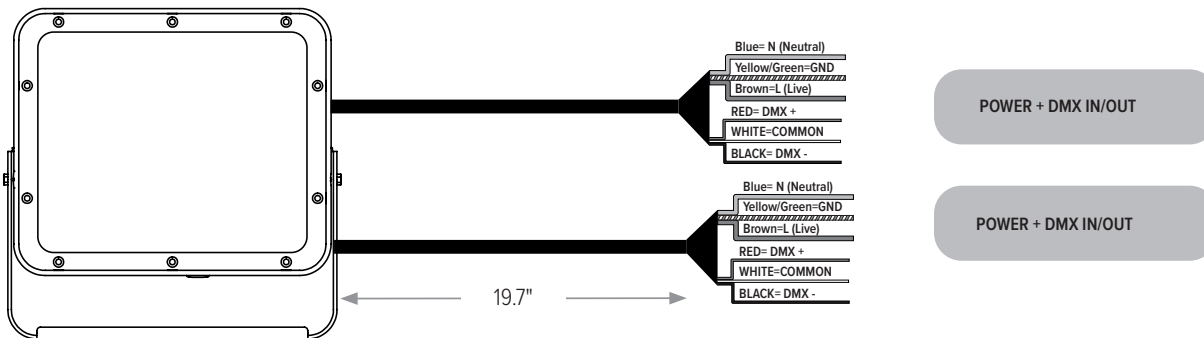
PAINTED ACCESSORIES					
MODEL		FINISH (*-XX)		OPTION	
CP300-SNOOT	Snoot	AG	Anthracite Grey	AST	Anti-Saline Treatment
CP300-VISOR	Visor	BL	Black		
CP300-WIREGUARD	Wire Guard	SG	Griven Silver Grey		
		WH	White		
		CC	Custom RAL Color		

CONNECTIONS

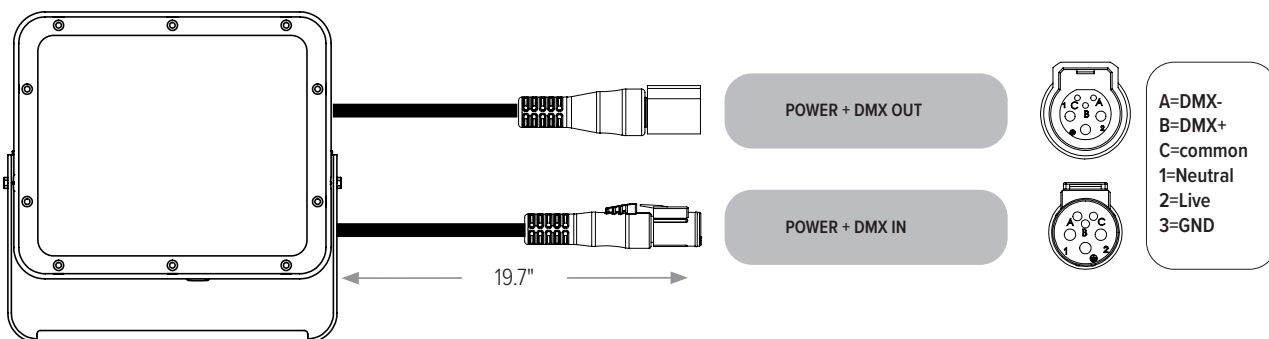
"S" Type Cable (Power In, DMX In, DMX Out)



"M" Type Cable (Monocable Without Connectors)



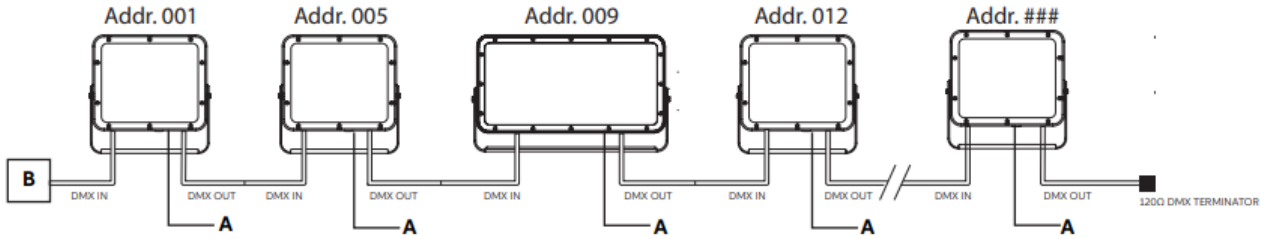
"C" Type Cable (Monocable With Connectors)



Note: the power and signal connections of S and M cable types can be carried out by using the connection kit included in the packing box. Follow the instructions provided along with the connection kit.

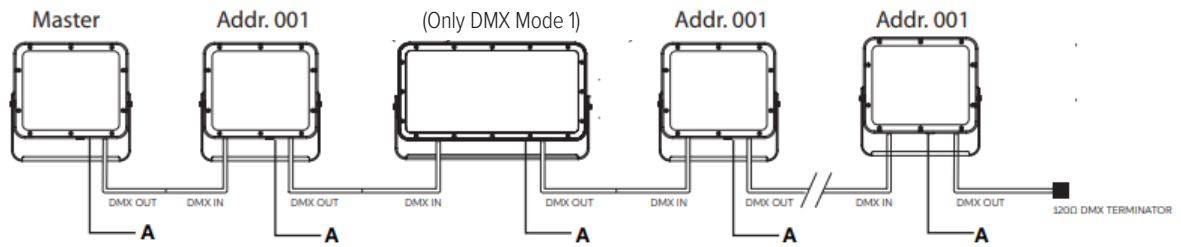
OPERATING MODES

DMX Mode



Example with fixtures set to 4 DMX channels

Master-Satellite/Automatic/Fixed Color Mode



WARNING ! in this mode, no DMX control device must be present along the line.

CUSTOMIZE YOUR EXPERIENCE.

At Experience Brands, we believe every space deserves unique lighting elements. We proudly specialize in crafting solutions that reflect your personal vision. Our expert team is here to collaborate with you to design and implement customized features that elevate your environment.

Ready to Get Started? Email us at: DesignServices@exp-brands.com