

CAPITAL 300 US

Dynamic White



DESCRIPTION

CAPITAL 300 US accentuates the designer's palette with an ultra-narrow 3.2° beam using 60 high-power LEDs fitted with precision optics. Grazing of vertical columnar features or illumination of objects at distance both benefit from the high-performance of this luminaire.



Date: _____ Type: _____ Catalog Number: _____

Project Name: _____

ORDERING INFORMATION

LUMINAIRE							
MODEL	CCT	CONTROL	CABLE	VOLTAGE	OPTIC *	FINISH	OPTION
CP300US Capital 300 Ultra-Spot	DW Dynamic White (2700K to 6500K)	DMX-RDM DMX-RDM	S Power in (7.9"), DMX in, DMX out (59")	UNV 120 - 277V	US Ultra Spot 3.2°	AG Anthracite Grey	AST Anti-Saline Treatment
CP300USPE Capital 300 Ultra-Spot Polar Edition			M Monocable Without Connectors (19.7")			BL Black	3G 3G Mounting Yoke
			C Monocable With Connectors (19.7")			SG Griven Silver Grey	
						WH White	
						CC Custom RAL Color	

*Consult factory for availability of other optical options.

See Page 5 for ordering information of available accessories.

		CAPITAL 300 US
PHYSICAL	HOUSING	Die-Cast Aluminum
	OVERALL DIMENSIONS	19.4" L x 4.1" W x 15.1" H
	EPA	1.86 ft ²
	WEIGHT	32.4 Pounds
	OPERATING TEMPERATURE	-40°F to 122°F (-40°C to 50°C)

ELECTRICAL	POWER	156 Watts		
	CURRENT	1.3 amps at 120 volts 0.56 amps at 277 volts		
	CONTROL	DMX-RDM, Standalone, Master-Satellite Operation		
	CABLE	S Cable	M Cable	C Cable
		Power In, DMX In, DMX Out Cables	6-Polarity In and Out Power/Data Monocable Without Connectors	6-Polarity In and Out Power/Data Monocable With Connectors
	CABLE LENGTH	59"	19.7"	19.7"
MODES	- DW (2 Channels) - DW + Intensity (3 Channels) - DW 16-Bit Mode (4 Channels)		- Master/Satellite - Stand-Alone Fixed CCT	

PHOTOMETRIC	LED	Dynamic White (2700K to 6500K)		
	DRIVER LOCATION	Integral		
	DELIVERED LUMEN OUTPUT	up to 9970 lumens		
	EFFICACY	up to 64 lumens per watt		
	LUMEN MAINTENANCE	L70 > 100,000 Hours at 77°F*		
	LIGHT CONTROL ACCESSORIES	Snoot, Visor Available		

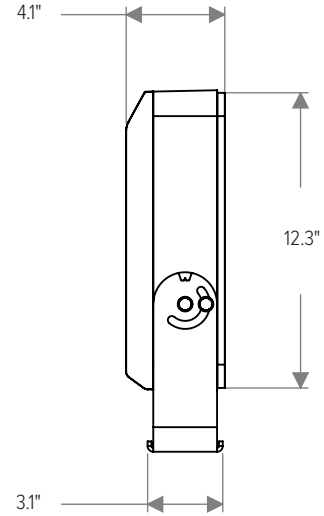
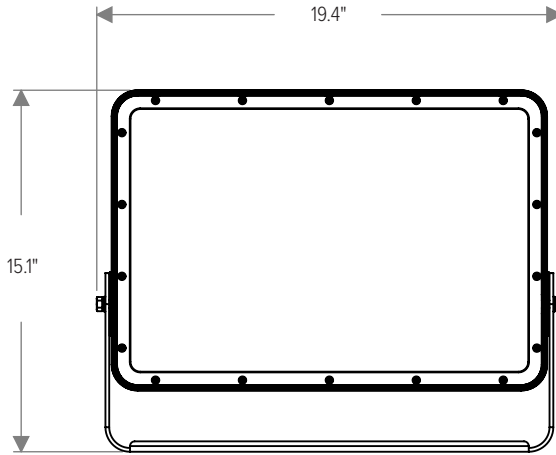
LIGHT DISTRIBUTIONS	DISTRIBUTION	BEAM ANGLE	LUMENS	EFFICACY	MAX. CANDELA
	Ultra-Spot	3.2°	9970	64	1,641,253

CERTIFICATIONS	SAFETY	ETL Certified for Wet Locations			
	INGRESS PROTECTION	IP67			
	IMPACT RATING	IK09			
	WARRANTY	Limited Five Year Warranty			

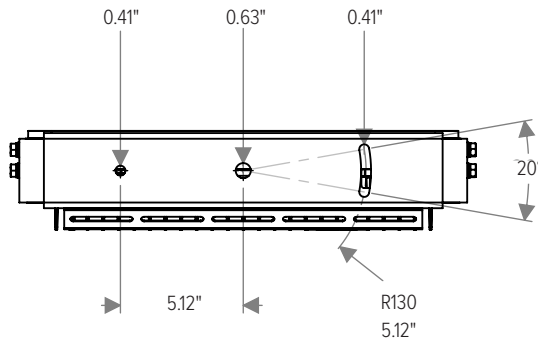
* LED life may vary under actual field conditions due to external factors. Lifetime estimates are generated from actual testing in a controlled environment. Values are conservatively derived from those numbers.

DIMENSIONS

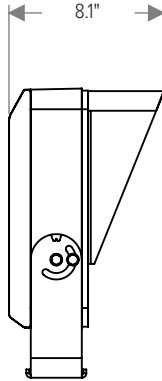
All dimensions are shown in inches unless otherwise noted.



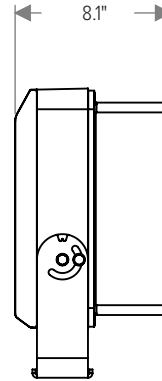
MOUNTING



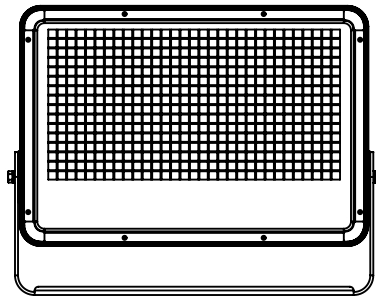
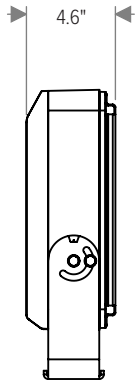
ACCESSORY DIMENSIONS



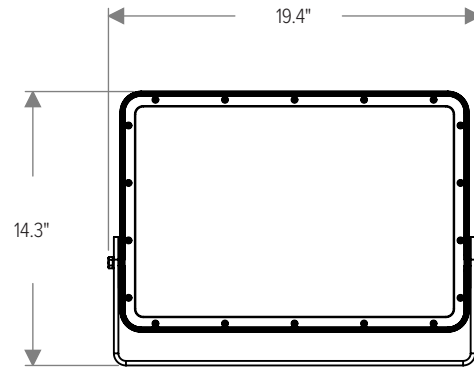
With Visor (CP300-VISOR-XX)



With Snoot (CP300-SNOOT-XX)



With Wire Guard (CP300-WIREGUARD-XX)



With 3G Mounting Yoke
(Factory Installed, Ordered with Luminaire)

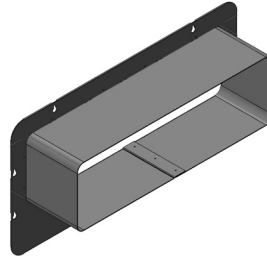
ACCESSORIES

NOTE: Accessories are ordered and shipped separately from luminaire for field installation.

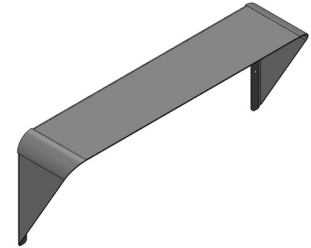
-XX* indicates a painted accessory. See bottom of page for painted accessory ordering information.



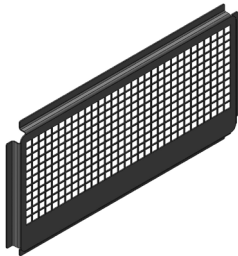
IR-CONFIG-REMOTE
Infrared Configuration Remote



CP300-SNOOT-XX*
Snoot



CP300-VISOR-XX*
Visor



CP300-WIREGUARD-XX*
Wire Guard

ORDERING INFORMATION

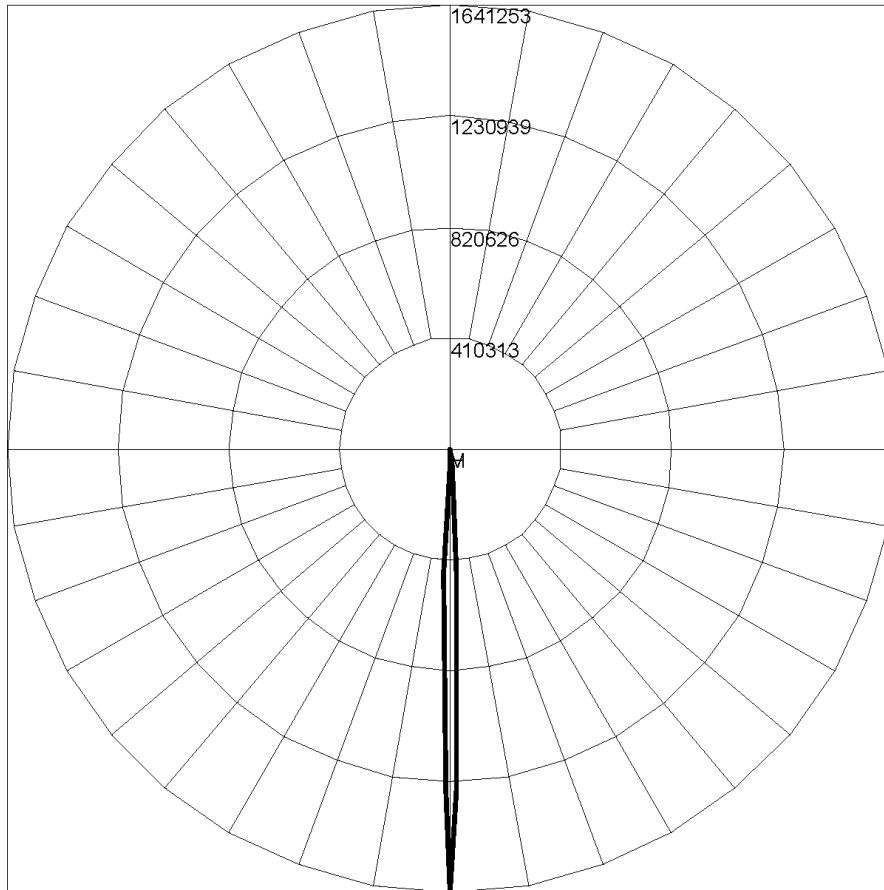
PAINTED ACCESSORIES

MODEL		FINISH (*-XX)		OPTION	
CP300-SNOOT	Snoot	AG	Anthracite Grey	AST	Anti-Saline Treatment
CP300-VISOR	Visor	BL	Black		
CP300-WIREGUARD	Wire Guard	SG	Griven Silver Grey		
		WH	White		
		CC	Custom RAL Color		

PHOTOMETRICS - DYNAMIC WHITE CANDELA DISTRIBUTION  HORIZONTAL
 VERTICAL

ULTRA SPOT 3.2°

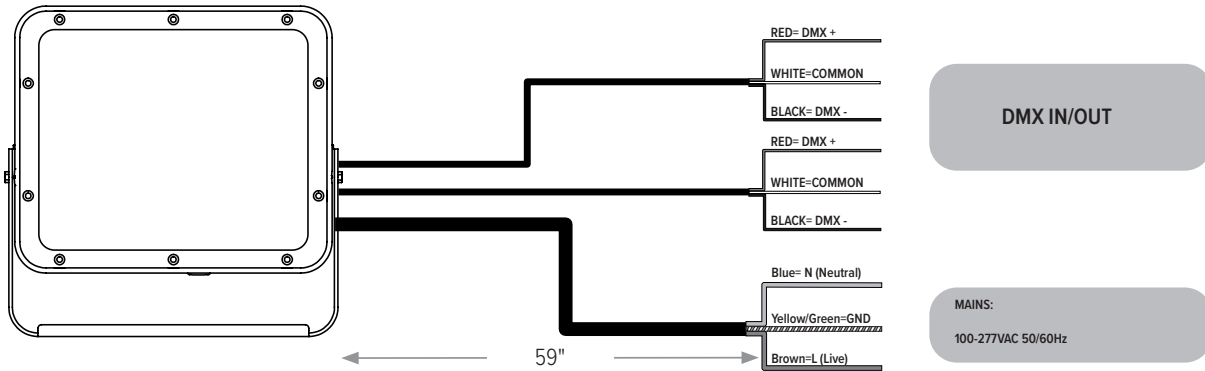
Maximum Candela = 1641253 / 9970 Lumens



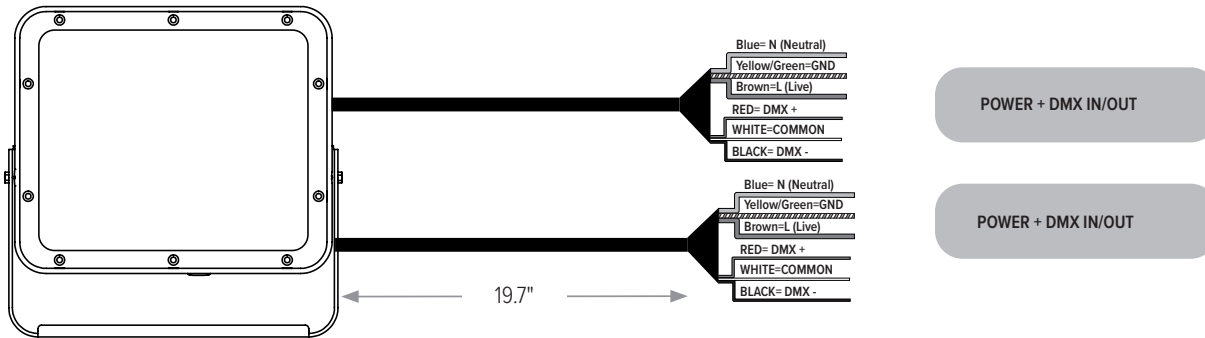
Maximum Candela = 1641252.6 Located At Horizontal Angle = 0, Vertical Angle = 0
H - Horizontal Axial Candela
V - Vertical Axial Candela

CONNECTIONS

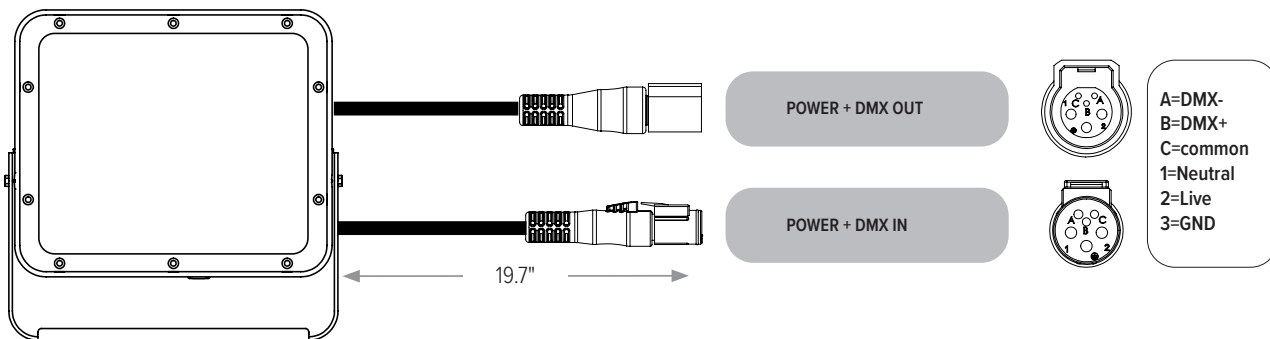
"S" Type Cable (Power In, DMX In, DMX Out)



"M" Type Cable (Monocable Without Connectors)



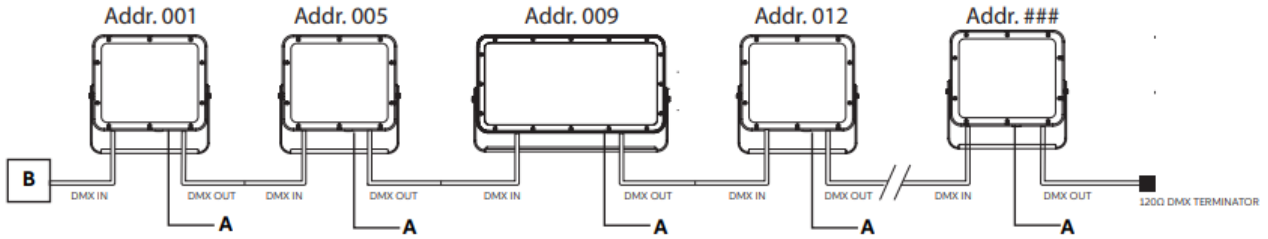
"C" Type Cable (Monocable With Connectors)



Note: the power and signal connections of S and M cable types can be carried out by using the connection kit included in the packing box. Follow the instructions provided along with the connection kit.

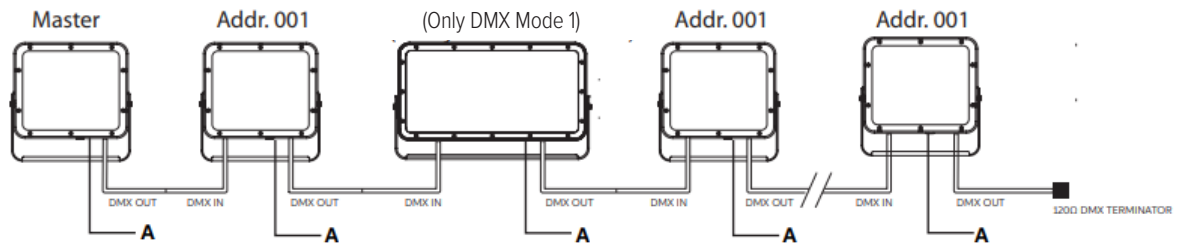
OPERATING MODES

DMX Mode



Example with fixtures set to 4 DMX channels

Master-Satellite/Automatic/Fixed Color Mode



WARNING ! in this mode, no DMX control device must be present along the line.