

CAPITAL 300 MC

Dynamic White



DESCRIPTION

CAPITAL 300 MC is the ideal solution for responding to aesthetic appeal and chromatic adaptability criteria. With a flexible and versatile surface mount floodlight, this luminaire comes with a vast selection of optical configurations and is suitable for a comprehensive variety of installations.



Date: _____ Type: _____ Catalog Number: _____

Project Name: _____

ORDERING INFORMATION

LUMINAIRE							
MODEL	CCT	CONTROL	CABLE	VOLTAGE	OPTIC *	FINISH	OPTION
CP300MC Capital 300 MC	DW Dynamic White (3000K to 6500K)	DMX-RDM DMX/RDM	S Power in (7.9 in.), DMX in, DMX out (59 in.)	UNV 120 - 277V	SP Spot 7°	AG Anthracite Grey	AST Anti-Saline Treatment
CP300MCPE Capital 300 MC Polar Edition			M Monocable without Connectors (19.7 in.)		NB Narrow 10°	BL Black	3G 3G Mounting Yoke
			C Monocable with connectors (19.7 in.)		MB Medium 23°	SG Griven Silver Grey	
					WB Wide 35°	WH White	
						CC Custom RAL Color	

*Consult factory for availability of other optical options.

See Page 5 for ordering information of available accessories.

		CAPITAL 300 MC
PHYSICAL	HOUSING	Die-Cast Aluminum
	OVERALL DIMENSIONS	19.4" L x 4.1" W x 15.1" H
	WEIGHT	32.4 Pounds
	OPERATING TEMPERATURE	-40°F to 122°F (-40°C to 50°C)

ELECTRICAL	POWER	266 Watts		
	CURRENT	2.22 amps at 120 volts 0.96 amps at 277 volts		
	CONTROL	DMX-RDM, Standalone Onboard Sequencing, or Master-Satellite Operation		
	CABLE	S Cable	M Cable	C Cable
		Power In, DMX In, DMX Out Cables	6-Polarity In and Out Power/Data Monocable Without Connectors	6-Polarity In and Out Power/Data Monocable With Connectors
	CABLE LENGTH	59"	19.7"	19.7"
MODES	- DW (2 Channels) - DW + Intensity (3 Channels) - DW 16-Bit Mode (4 Channels)		- Master/Satellite - Stand-Alone Fixed CCT	

PHOTOMETRIC	LED	Dynamic White (3000K to 6500K)		
	NUMBER OF LEDS	16 Quad-Chip LEDs		
	DRIVER LOCATION	Integral		
	DELIVERED LUMEN OUTPUT	up to 19,556 lumens		
	EFFICACY	up to 74 lumens per watt		
	LUMEN MAINTENANCE	L70 > 100,000 Hours at 77°F*		
	LIGHT CONTROL ACCESSORIES	Snoot, Visor Available		

LIGHT DISTRIBUTIONS	DISTRIBUTION	BEAM ANGLE	LUMENS	EFFICACY	MAX. CANDELA
	Spot	7°	19556	74	795,675
	Narrow	10°	19038	72	428,945
	Medium	23°	18193	68	98,389
	Wide	35°	17641	66	46,759

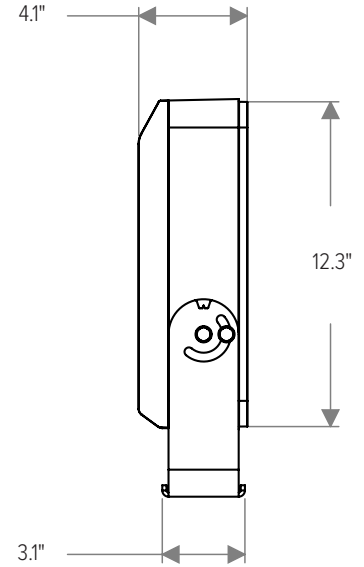
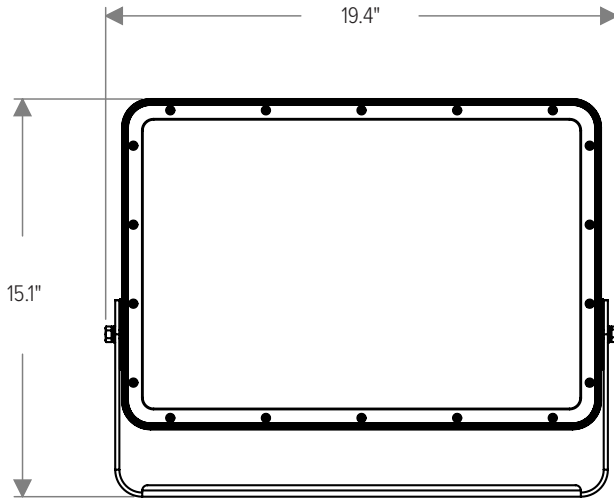
Values based on full output.

CERTIFICATIONS	SAFETY	ETL Certified for Wet Locations			
	INGRESS PROTECTION	IP67			
	IMPACT RATING	IK09			
	WARRANTY	Five Year Limited Warranty			

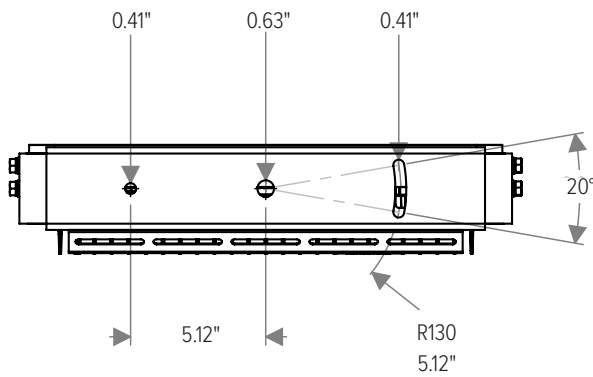
* LED life may vary under actual field conditions due to external factors. Lifetime estimates are generated from actual testing in a controlled environment. Values are conservatively derived from those numbers.

DIMENSIONS

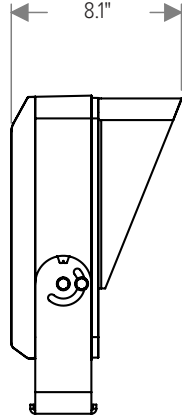
All dimensions are shown in inches unless otherwise noted.



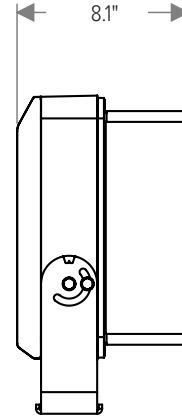
MOUNTING



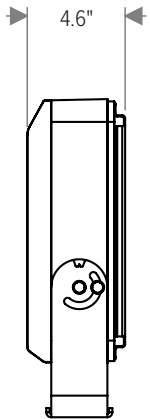
ACCESSORY DIMENSIONS



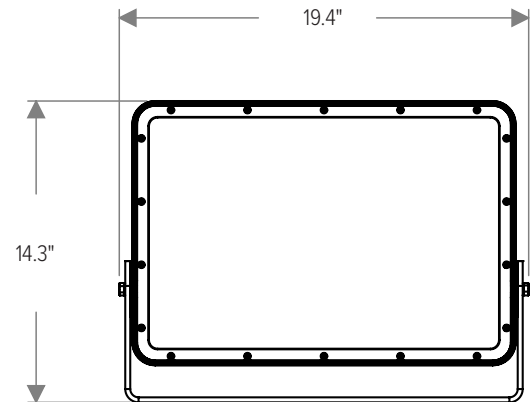
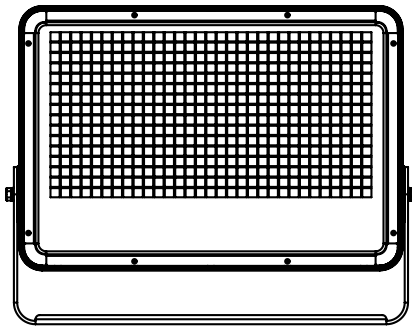
With Visor (CP300-VISOR-XX)



With Snoot (CP300-SNOOT-XX)



With Wire Guard (CP300-WIREGUARD-XX)



With 3G Mounting Yoke
(Factory Installed, Ordered with Luminaire)

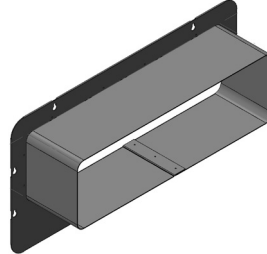
ACCESSORIES

NOTE: Accessories are ordered and shipped separately from luminaire for field installation.

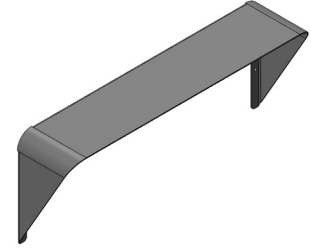
-XX* indicates a painted accessory. See bottom of page for painted accessory ordering information.



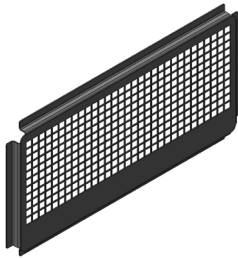
IR-CONFIG-REMOTE
Infrared Configuration Remote



CP300-SNOOT-XX*
Snoot



CP300-VISOR-XX*
Visor



CP300-WIREGUARD-XX*
Wire Guard

ORDERING INFORMATION

PAINTED ACCESSORIES

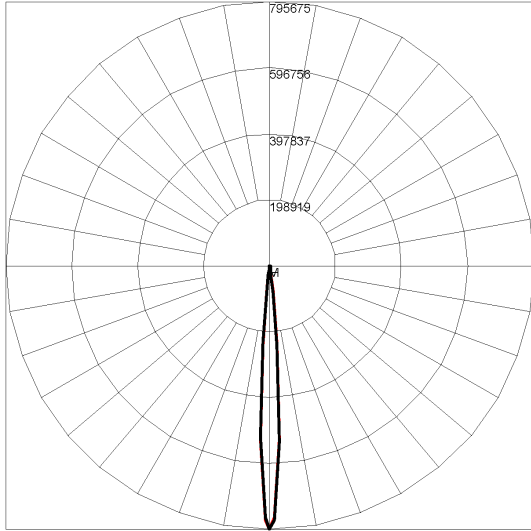
MODEL		FINISH (*-XX)		OPTION	
CP300-SNOOT	Snoot	AG	Anthracite Grey	AST	Anti-Saline Treatment
CP300-VISOR	Visor	BL	Black		
CP300-WIREGUARD	Wire Guard	SG	Griven Silver Grey		
		WH	White		
		CC	Custom RAL Color		

PHOTOMETRICS - DYNAMIC WHITE CANDELA DISTRIBUTION

HORIZONTAL
 VERTICAL

SPOT 7°

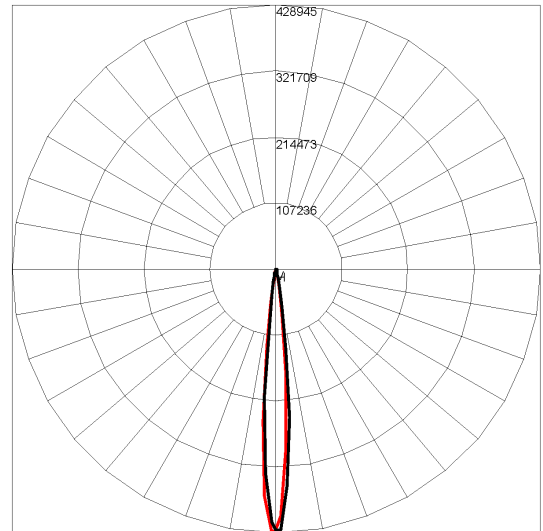
Maximum Candela = 795675 / 19556 Lumens



Maximum Candela = 795674.938 Located At Horizontal Angle = 0, Vertical Angle = 0
H - Horizontal Axial Candela
V - Vertical Axial Candela

NARROW 10°

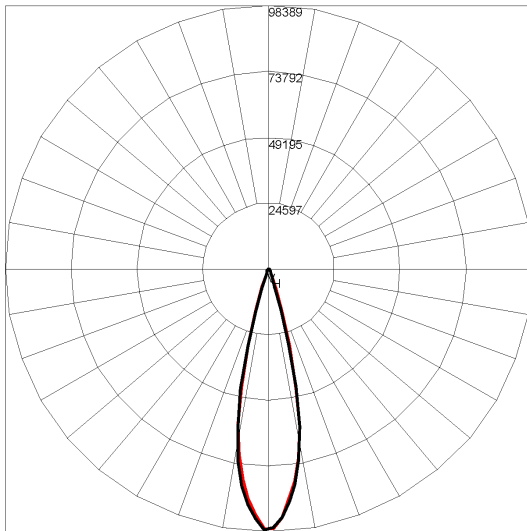
Maximum Candela = 428945 / 19038 Lumens



Maximum Candela = 428945.188 Located At Horizontal Angle = -1, Vertical Angle = 0
H - Horizontal Axial Candela
V - Vertical Axial Candela

MEDIUM 23°

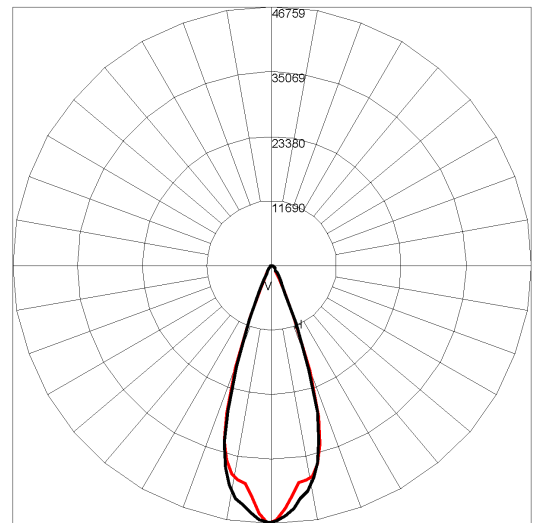
Maximum Candela = 98389 / 18193 Lumens



Maximum Candela = 98389.446 Located At Horizontal Angle = -1, Vertical Angle = -1
H - Horizontal Axial Candela
V - Vertical Axial Candela

WIDE 35°

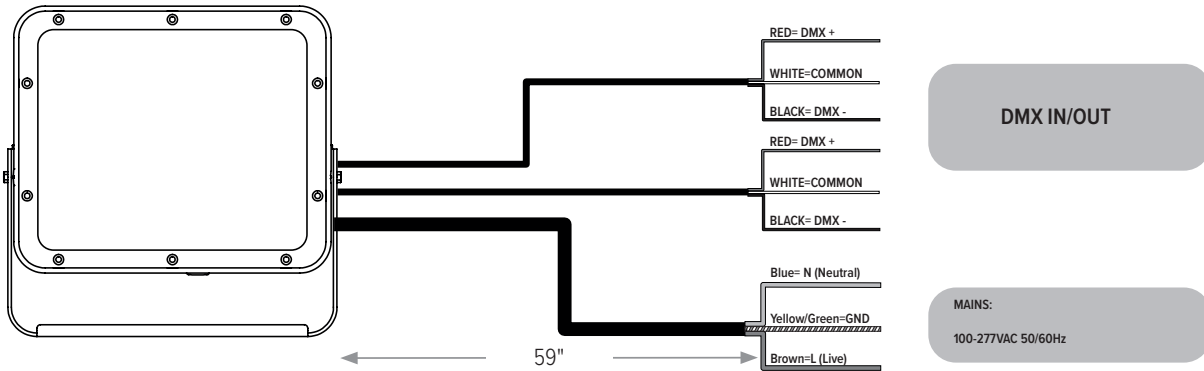
Maximum Candela = 46759 / 17641 Lumens



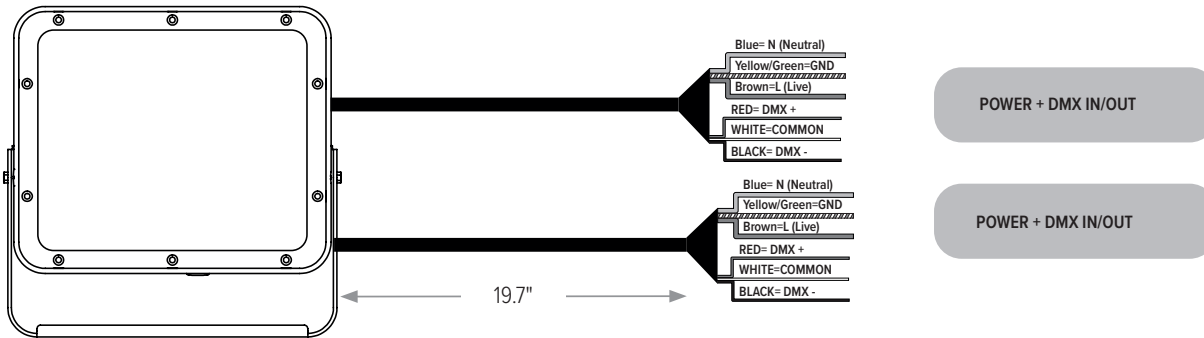
Maximum Candela = 46759.003 Located At Horizontal Angle = -1, Vertical Angle = -1
H - Horizontal Axial Candela
V - Vertical Axial Candela

CONNECTIONS

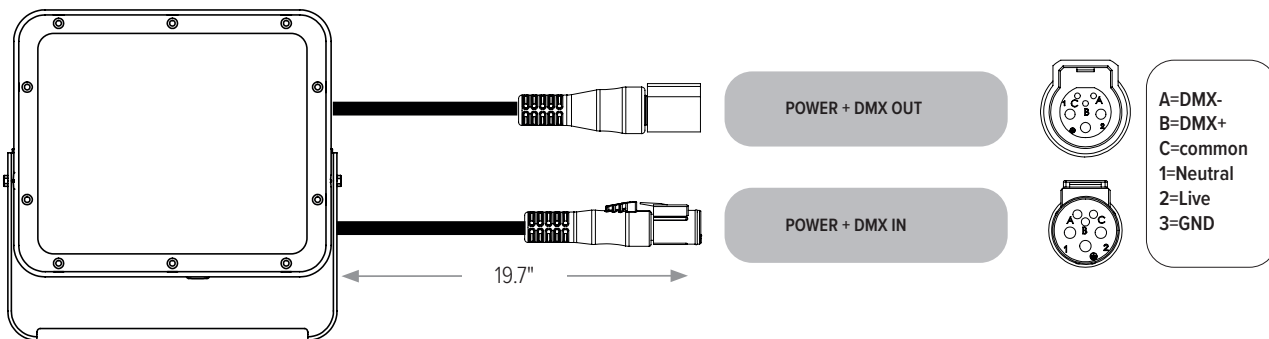
"S" Type Cable (Power In, DMX In, DMX Out)



"M" Type Cable (Monocable Without Connectors)



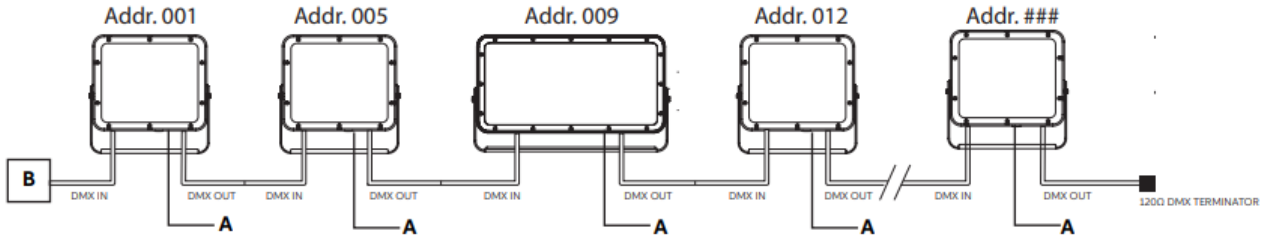
"C" Type Cable (Monocable With Connectors)



Note: the power and signal connections of S and M cable types can be carried out by using the connection kit included in the packing box. Follow the instructions provided along with the connection kit.

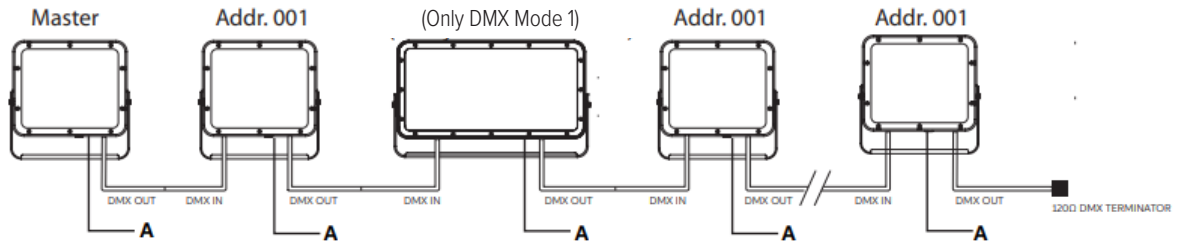
OPERATING MODES

DMX Mode



Example with fixtures set to 4 DMX channels

Master-Satellite/Automatic/Fixed Color Mode



WARNING ! in this mode, no DMX control device must be present along the line.