

DESCRIPTION

CAPITAL 300 MC is the ideal solution for responding to aesthetic appeal and chromatic adaptability criteria. With a flexible and versatile surface mount floodlight, this luminaire comes with a wide selection of optical configurations and is suitable for a comprehensive variety of installations.



Date: \_\_\_\_\_ Type: \_\_\_\_\_ Catalog Number: \_\_\_\_\_

Project Name: \_\_\_\_\_

ORDERING INFORMATION

LUMINAIRE							
MODEL	COLOR	CONTROL	CABLE	VOLTAGE	OPTIC *	FINISH	OPTION
CP300MC Capital 300 MC	RGBW30K RGBW (3000K White)	DMX-RDM DMX/RDM	S Power in (7.9 in.), DMX in, DMX out (59 in.)	UNV 120 - 277V	SP Spot 7°	AG Anthracite Grey	MG Marine Grade
CP300MCPE Capital 300 Polar Edition	RGBW40K RGBW (4000K White)		M Monocable only (19.7 in.)		NB Narrow 10°	BL Black	3G 3G Mounting Yoke
			C Monocable with connectors (19.7 in.)		MB Medium 23°	SG Griven Silver Grey	
					WB Wide 35°	WH White	
						CC Custom RAL Color	

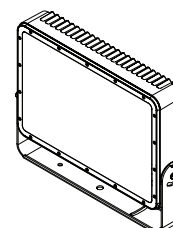
		CAPITAL 300 MC
PHYSICAL	HOUSING	Die-cast aluminum
	HOUSING DIMENSIONS	19.38"w x 12.3"h x 3.13"d
	OVERALL DIMENSIONS	19.38"w x 15.06"h x 4.11"d
	WEIGHT	32.4 lbs
	EPA	1.86 ft <sup>2</sup>
	OPERATING TEMPERATURE	-40°C to 50°C (-40°F to 122°F)

PHOTOMETRIC	LED	RGBW (4000K)
	# LEDS	24 multi-chip LEDs
	DELIVERED LUMEN OUTPUT	10377 to 11503 lumens
	EFFICACY	Up to 43 lumens per watt
	L70 LUMEN MAINTENANCE	100,000 Hours @ 25°C
	# DISTRIBUTIONS	Spot, Narrow, Medium, Wide
	LIGHT CONTROL ACCESSORIES	Visor, Snoot, Wire Guard, Spreading Diffusers (Contact Factory)

LIGHT DISTRIBUTIONS*	DISTRIBUTION	BEAM ANGLE	LUMENS	MAX CANDELA
* Values based on full output	SPOT	7°	11503	468,023
	NARROW	10°	11199	252,325
	MEDIUM	23°	10702	57,877
	WIDE	35°	10377	27,505

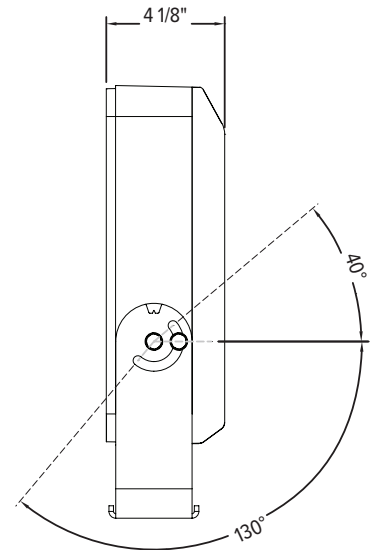
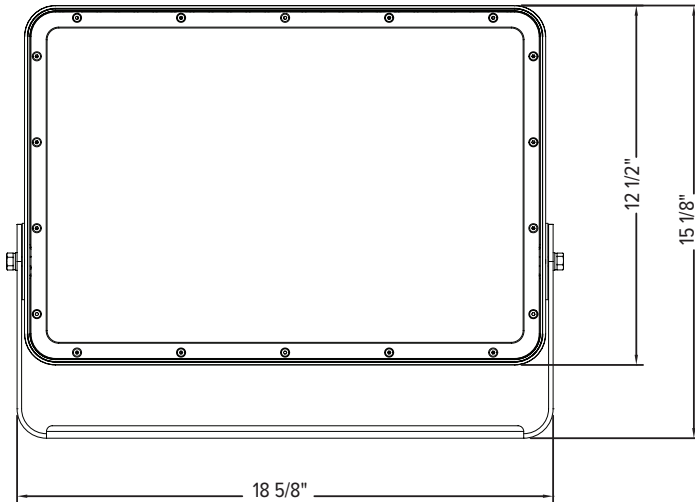
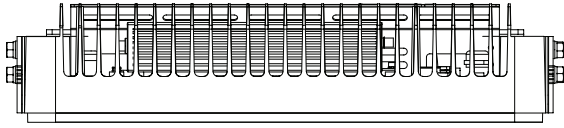
ELECTRICAL	POWER CONSUMPTION	266 watts max		
	AMPERAGE	2.2A @ 120V or 1.0A @ 277V		
	CONTROL	DMX-RDM. Includes onboard standalone sequencing or master-satellite operation without DMX control systems when programmed with infra-red configuration remote (Ordering code AL1321)		
	MODES	- RGBW (4 channels)	- 16-Bit Mode (8 channels)	- Master Satellite Mode
		- RGBW + Intensity (5 channels)	- RGBW Calibrated White (4 channels)	
		-RGBW + Intensity + Strobe (6 channels) - Fixed Color		

CERTIFICATIONS	SAFETY	ETL Listed for Wet Locations
	INGRESS PROTECTION	IP67
	IMPACT RATING	IK09
	EUROPEAN	RoHS

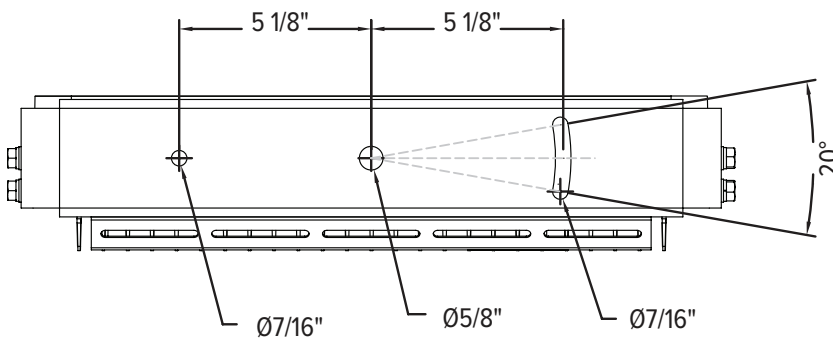


DIMENSIONS

All dimensions are shown in inches unless otherwise noted.



MOUNTING

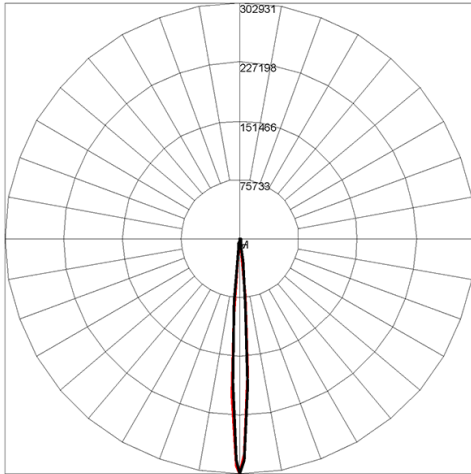


PHOTOMETRICS - RGBW CANDELA DISTRIBUTION

HORIZONTAL  
 VERTICAL

**SPOT 7°**

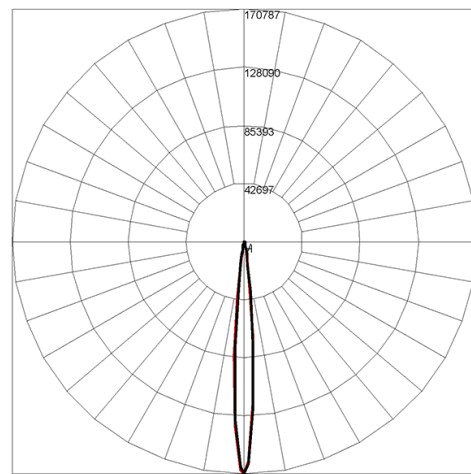
Maximum Candela = 468023 / 11503 lms



Maximum Candela = 302931.313 Located At Horizontal Angle = 0, Vertical Angle = 0  
H - Horizontal Axial Candela  
V - Vertical Axial Candela

**NARROW 10°**

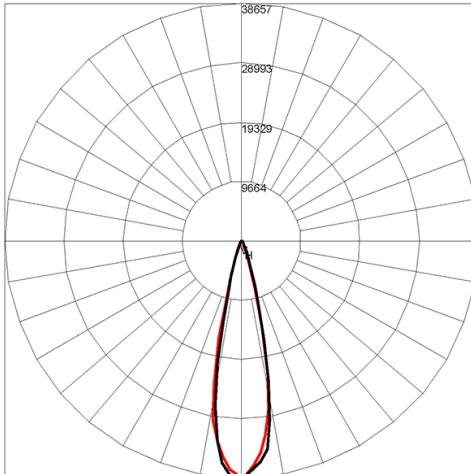
Maximum Candela = 252325 / 11199 lms



Maximum Candela = 170766.703 Located At Horizontal Angle = 0, Vertical Angle = 0  
H - Horizontal Axial Candela  
V - Vertical Axial Candela

**MEDIUM 23°**

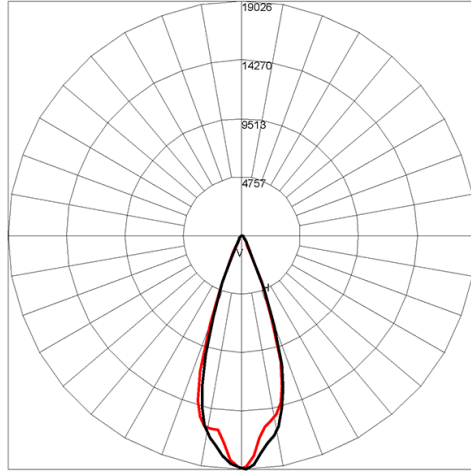
Maximum Candela = 57877 / 10702 lms



Maximum Candela = 38657.483 Located At Horizontal Angle = -1, Vertical Angle = -1  
H - Horizontal Axial Candela  
V - Vertical Axial Candela

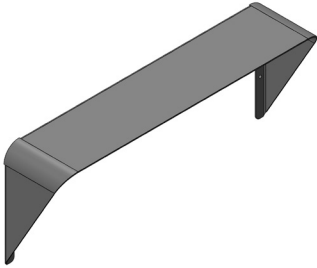
**WIDE 35°**

Maximum Candela = 27505 / 10377 lms

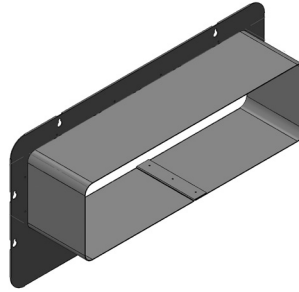


Maximum Candela = 19026.4 Located At Horizontal Angle = 0, Vertical Angle = 1  
H - Horizontal Axial Candela  
V - Vertical Axial Candela

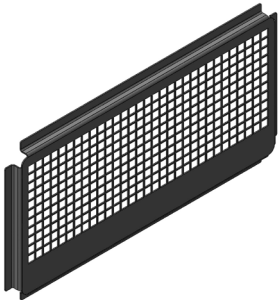
ACCESSORIES



**AL8235-XX\***  
Visor



**AL8236-XX\***  
Snoot



**AL8237-XX\***  
Wire Guard



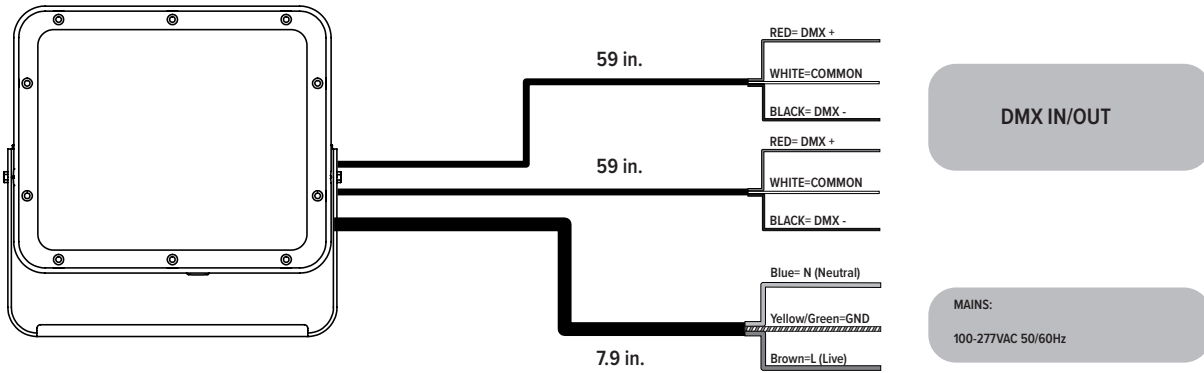
**AL1321**  
Infrared Configuration Remote

**XX\*- ACCESSORY FINISHES**

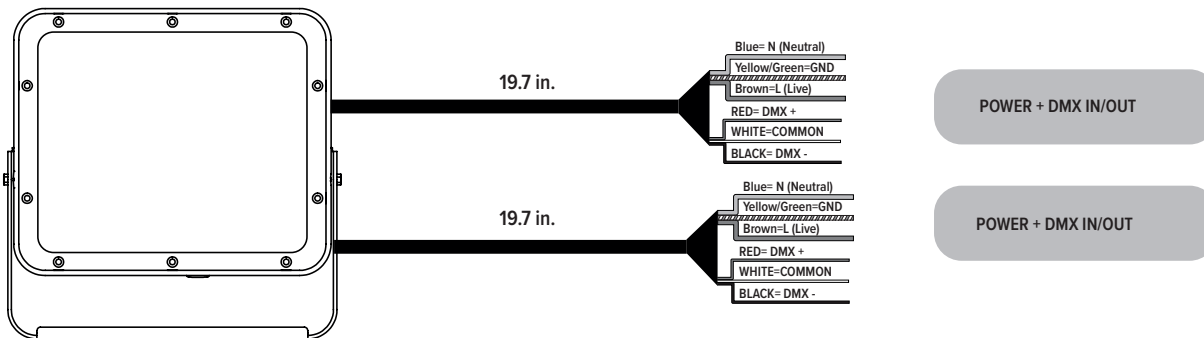
AG	Anthracite Grey
BL	Black
SG	Griven Silver Grey
WH	White
CC	Custom Color

Connection

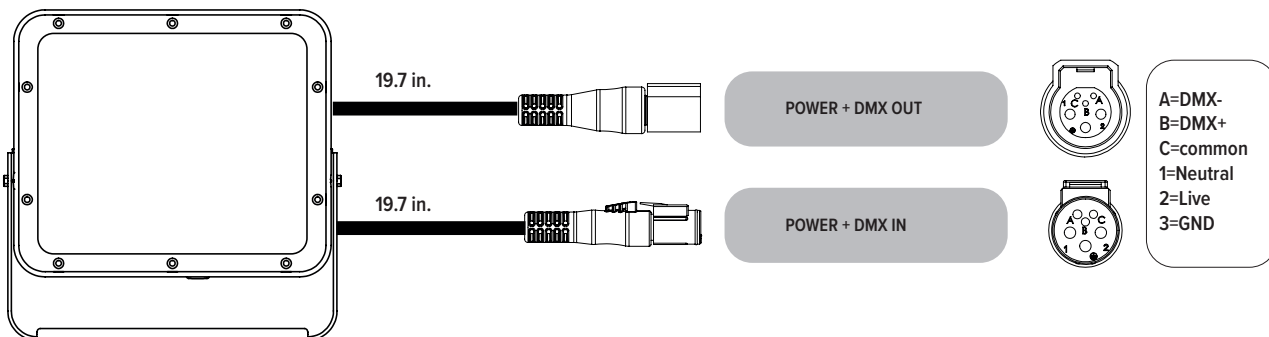
“S” type cable ( Power in, DMX In, DMX Out )



“M” type cable ( Monocable without connectors )



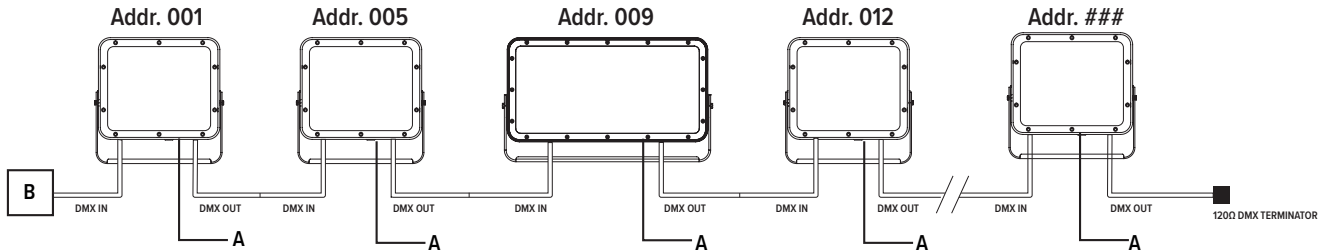
“C” type cable ( Monocable + connectors )



Note: the power and signal connections of S and M cable types can be carried out by using the connection kit included in the packing box. Follow the instructions provided along with the connection kit.

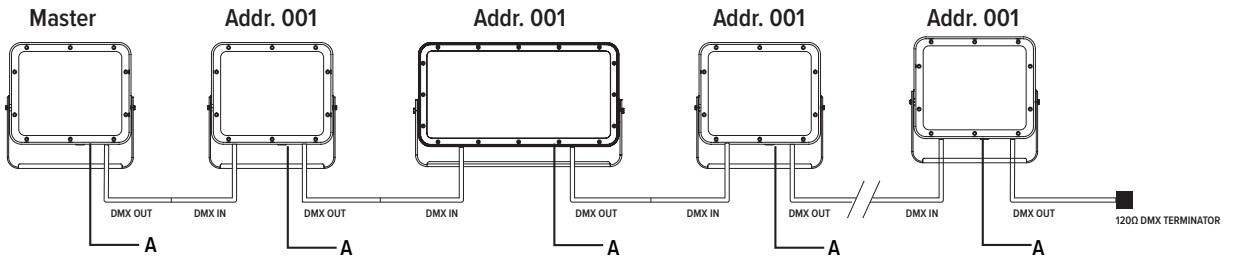
Operating modes

DMX Mode



Example with fixtures set to 4 DMX channels

Master-Slave / Automatic / Fixed color Mode ( Only DMX Mode #1 )



**WARNING !** in this mode, no DMX control device must be present along the line.