

# CAPITAL 600 B

Static White



## DESCRIPTION

CAPITAL 600 B floodlight is available with a vast choice of combinable optics and color configurations for the maximum lighting design flexibility. Featuring full independent control of each LED luminaire, this twin cluster luminaire system allows absolute freedom in a minimal footprint to create impressive matching or divergent dynamic effects on large-scale façades and architectural elements from a long distance with surprising luminous output.



Date: \_\_\_\_\_ Type: \_\_\_\_\_ Catalog Number: \_\_\_\_\_

Project Name: \_\_\_\_\_

## ORDERING INFORMATION

LUMINAIRE								
MODEL	CCT	CONTROL	CABLE	VOLTAGE	UPPER OPTIC *	LOWER OPTIC *	FINISH	OPTION
CP600B Capital 600 B	27K 2700K	ON-OFF ON/OFF* <i>*Select Cable Type P</i>	P 59" Cable Type P: Power in	UNV 120 - 277V	SP Spot 13°	SP Spot 13°	AG Anthracite Grey	AST Anti-Saline Treatment
	30K 3000K	DIM 0-10v Dimming* <i>*Select Cable Type M</i>	M 19.7" Cable Type M: Monocable for 0-10v/DALI (Without Connectors)		NB Narrow 16°	NB Narrow 16°	BL Black	3G 3G Mounting Yoke
	40K 4000K	DALI DALI* <i>*Select Cable Type M</i>			MB Medium 25°	MB Medium 25°	SG Griven Silver Grey	LVR Internal Honeycomb Louver
					WB Wide 46°	WB Wide 46°	WH White	
					EW Extra Wide 64°	EW Extra Wide 64°	CC Custom RAL Color	
					ELH Elliptical Horizontal 40° H x 14° V	ELH Elliptical Horizontal 40° H x 14° V		
					ELWH Elliptical Wide Horizontal 38° H x 23° V	ELWH Elliptical Wide Horizontal 38° H x 23° V		
					WW Wall Wash 36° H x 19° V	WW Wall Wash 36° H x 19° V		

\*Contact factory for other optical options.

See Page 5 for ordering information of available accessories.

		CAPITAL 600 B
PHYSICAL	HOUSING	Die-Cast Aluminum
	OVERALL DIMENSIONS	20.4" L x 5.9" W x 29.8" H
	WEIGHT	72.3 Pounds
	OPERATING TEMPERATURE	-40°C to 50°C (-40°F to 122°F)

ELECTRICAL	POWER	440 Watts (220 Watts per Luminaire)	
	CURRENT	3.67 amps at 120 volts 1.6 amps at 277 volts	
	CONTROL	On-Off, 0-10v Dimming, DALI	
	CABLE	P Cable	M Cable
		Power In (for On-Off)	Monocable Without Connectors (for DALI or 0-10v Dimming)
WHIP LENGTH	59"	19.7"	

PHOTOMETRIC	LED	Static White (2700K, 3000K, or 4000K)	
	NUMBER OF LEDS	144	
	DRIVER LOCATION	Integral	
	DELIVERED LUMEN OUTPUT	up to 42,942 lumens (21,471 lumens per luminaire)	
	EFFICACY	up to 98 lumens per watt	
	LUMEN MAINTENANCE	L90 > 60,000 Hours at 77°F*	
	LIGHT CONTROL ACCESSORIES	Snoot, Visor, Internal Honeycomb Louver Available	

LIGHT DISTRIBUTIONS	DISTRIBUTION	BEAM ANGLE	2700K & 3000K			4000K		
			LUMENS	EFFICACY	MAX. CANDELA	LUMENS	EFFICACY	MAX. CANDELA
NOTE: Values shown are for single luminaire head. Multiply by 2 to obtain values for dual luminaire heads.	SPOT	13°	19937	91	302783	21471	98	326080
	NARROW	16°	18321	83	169652	19730	90	182700
	MEDIUM	25°	18625	85	89970	19670	89	95018
	WIDE	46°	18443	84	28093	19861	90	30253
	EXTRA WIDE	64°	19449	88	18179	20945	95	18500
	ELLIPTICAL	40° x 14°	18010	82	86163	19360	88	92622
	ELLIPTICAL WIDE	38° x 23°	16379	74	49126	17638	80	52902
	WALL WASH	36° x 19° (5° Incline)	15352	70	52762	16533	75	56821

CERTIFICATIONS	SAFETY	ETL Certified for Wet Locations	
	INGRESS PROTECTION	IP67	
	IMPACT RATING	IK09	
	WARRANTY	Limited Five Year Warranty	

\* LED life may vary under actual field conditions due to external factors. Lifetime estimates are generated from actual testing in a controlled environment. Values are conservatively derived from those numbers.

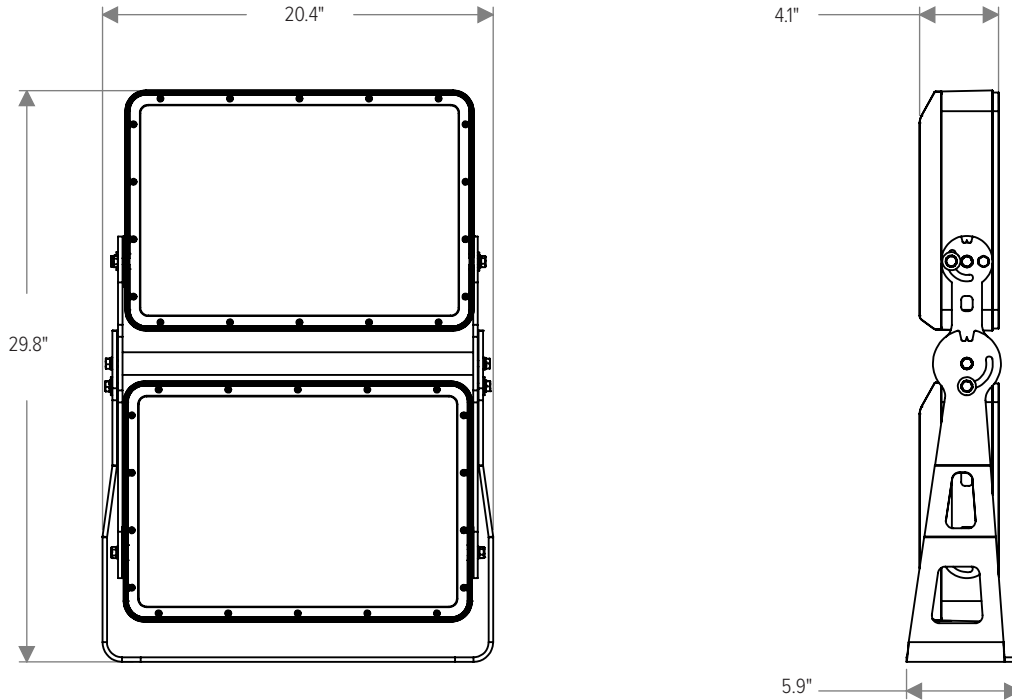
# CAPITAL 600 B

Static White

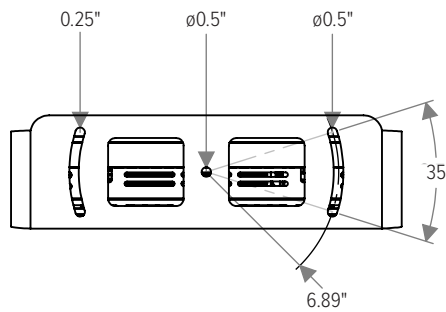


## DIMENSIONS

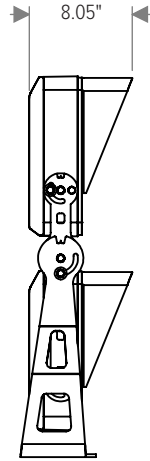
All dimensions are shown in inches unless otherwise noted.



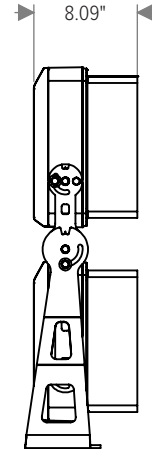
## MOUNTING



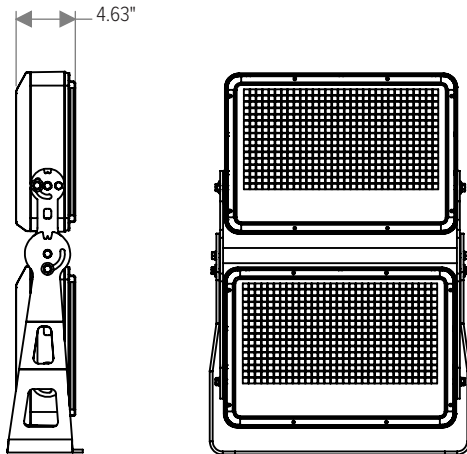
## ACCESSORY DIMENSIONS



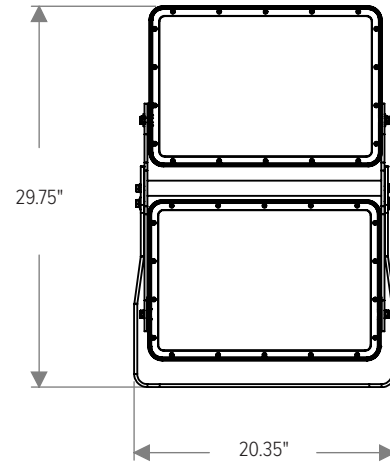
With Visor (CP300-VISOR-XX)



With Snoot (CP300-SNOOT-XX)



With Wire Guard (CP300-WIREGUARD-XX)



With 3G Mounting Yoke  
(Factory Installed, Ordered with Luminaire)

## ACCESSORIES

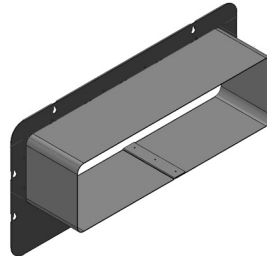
NOTE: Accessories are ordered and shipped separately from luminaire for field installation.

Accessories shown are sold individually for single luminaire heads. Two units must be ordered if dual head application is required.

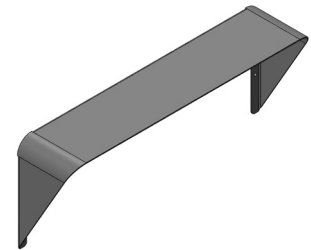
-XX\* indicates a painted accessory. See bottom of page for painted accessory ordering information.



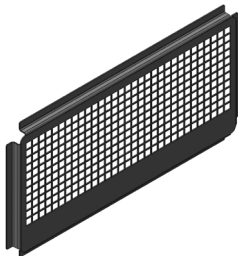
**IR-CONFIG-REMOTE**  
Infrared Configuration Remote



**CP300-SNOOT-XX\***  
Snoot



**CP300-VISOR-XX\***  
Visor



**CP300-WIREGUARD-XX\***  
Wire Guard

## ORDERING INFORMATION

### PAINTED ACCESSORIES

MODEL		FINISH (*-XX)		OPTION	
CP300-SNOOT	Snoot	AG	Anthracite Grey	AST	Anti-Saline Treatment
CP300-VISOR	Visor	BL	Black		
CP300-WIREGUARD	Wire Guard	SG	Griven Silver Grey		
		WH	White		
		CC	Custom RAL Color		

Accessories shown are sold individually for single luminaire heads. Two units must be ordered if dual head application is required.

# CAPITAL 600 B

Static White

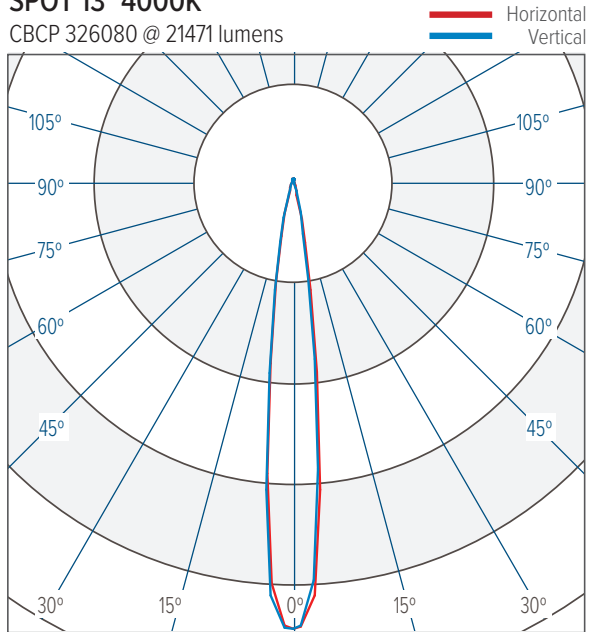


## PHOTOMETRICS

VALUES SHOWN ARE FOR SINGLE LUMINAIRE HEAD IN 4000K. MULTIPLY BY 2 TO OBTAIN VALUES FOR DUAL HEADS.  
APPLY A 0.93 PRORATE FACTOR TO OBTAIN VALUES FOR 2700K OR 3000K CCT.

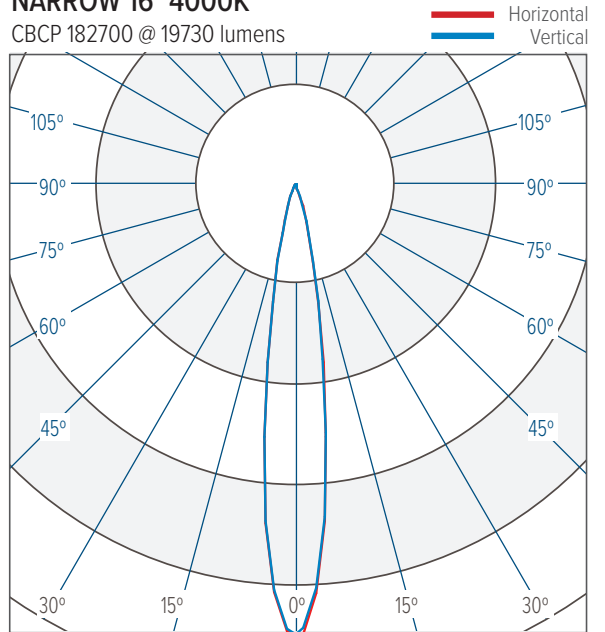
### SPOT 13° 4000K

CBCP 326080 @ 21471 lumens



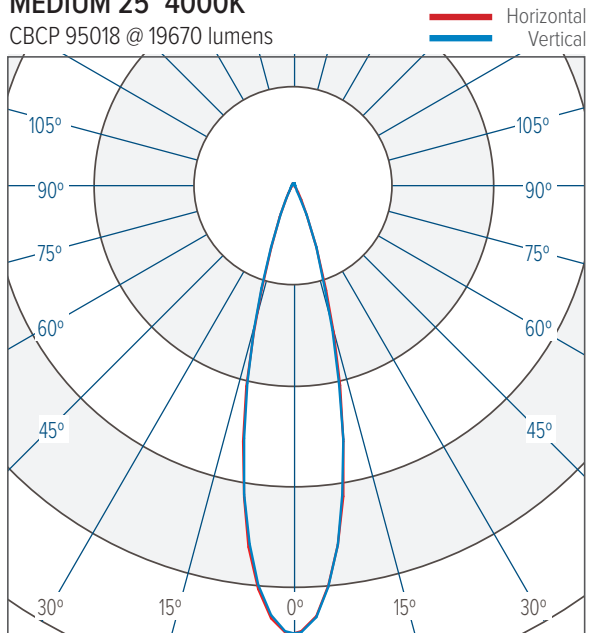
### NARROW 16° 4000K

CBCP 182700 @ 19730 lumens



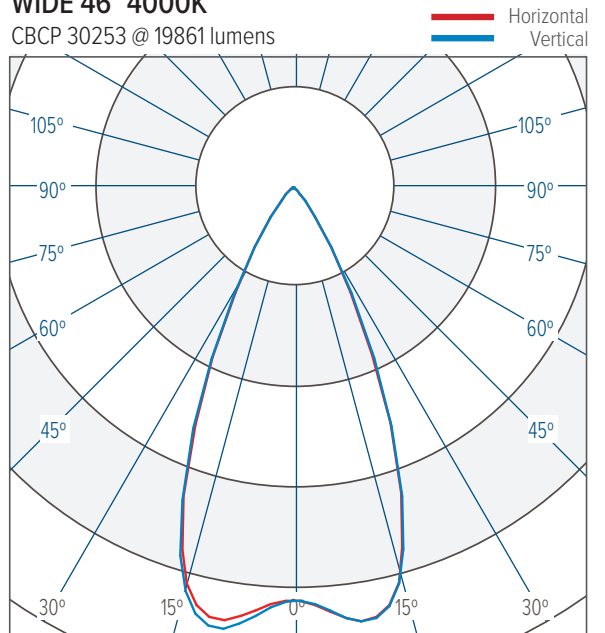
### MEDIUM 25° 4000K

CBCP 95018 @ 19670 lumens



### WIDE 46° 4000K

CBCP 30253 @ 19861 lumens



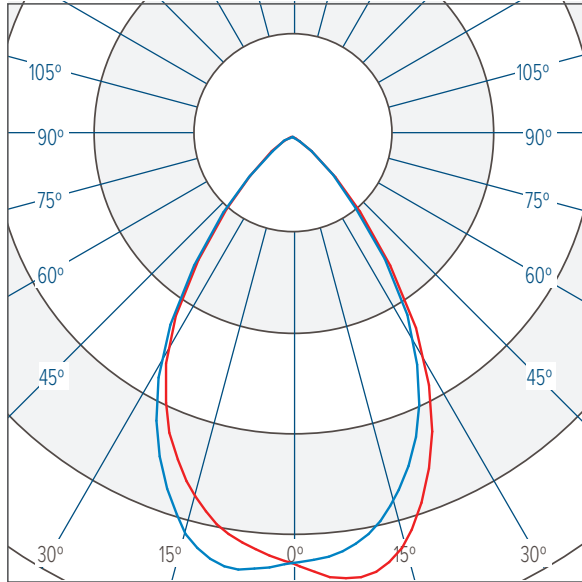
## PHOTOMETRICS

VALUES SHOWN ARE FOR SINGLE LUMINAIRE HEAD IN 4000K. MULTIPLY BY 2 TO OBTAIN VALUES FOR DUAL HEADS.  
 APPLY A 0.93 PRORATE FACTOR TO OBTAIN VALUES FOR 2700K OR 3000K CCT.

### EXTRA WIDE 64° 4000K

CBCP 18500 @ 20945 lumens

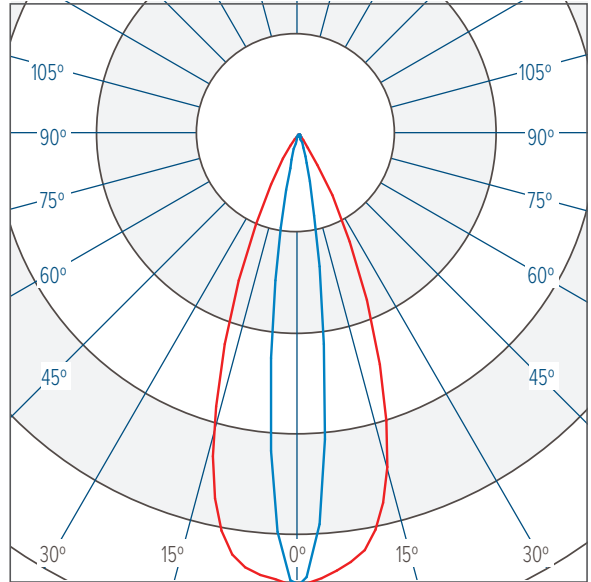
— Horizontal  
 — Vertical



### ELLIPTICAL 40° x 14° 4000K

CBCP 92622 @ 19360 lumens

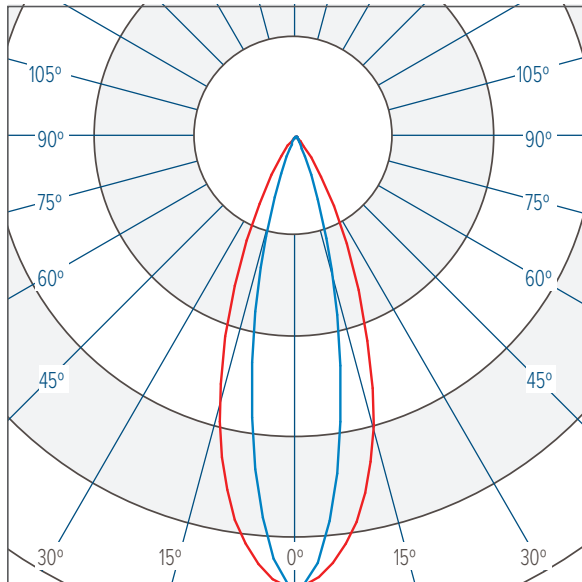
— Horizontal  
 — Vertical



### ELLIPTICAL WIDE 38° x 23° 4000K

CBCP 52902 @ 17638 lumens

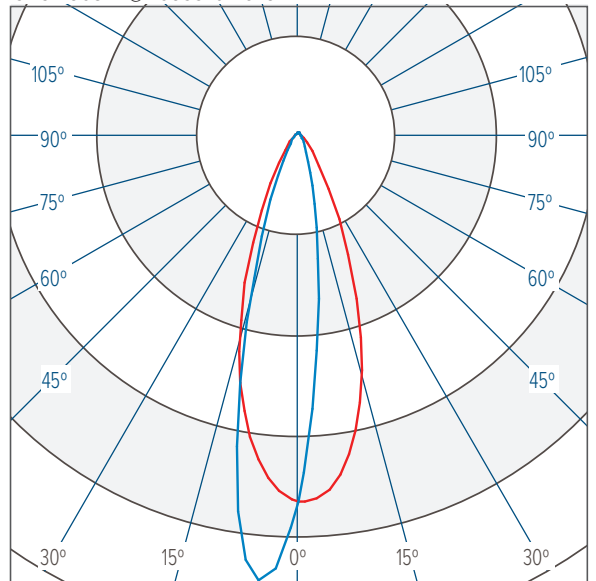
— Horizontal  
 — Vertical



### WALL WASH 36° x 19° 4000K

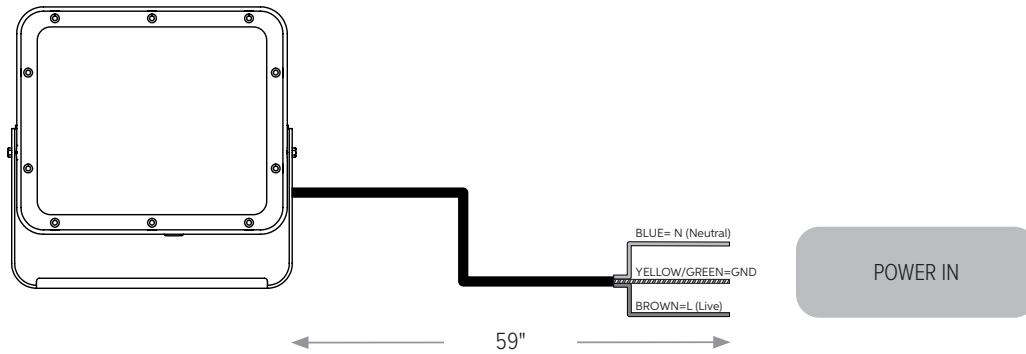
5° INCLINE  
 CBCP 56821 @ 16533 lumens

— Horizontal  
 — Vertical



## CONNECTIONS

"P" Type Cable (On/Off)



"M" Type Cable (DALI or 0-10v Dimming Monocable Without Connectors)

