

DESCRIPTION

CAPITAL 600 floodlight is available with a vast choice of combinable optics and color configurations for the maximum lighting design flexibility. Featuring full independent control of each LED luminaire, this twin cluster luminaire system allows absolute freedom in a minimal footprint to create impressive matching or divergent dynamic effects on large-scale façades and architectural elements from a long distance with surprising luminous output.



Date: _____ Type: _____ Catalog Number: _____

Project Name: _____

ORDERING INFORMATION

| LUMINAIRE | | | | | | | | |
|---|--------------------------------------|--------------------|--|-------------------|---|---|--------------------------|---------------------------------------|
| MODEL | CCT | CONTROL | CABLE | VOLTAGE | UPPER OPTIC | LOWER OPTIC | FINISH | OPTION |
| CP600 Capital 600 | DW Dynamic White (2700K-6500K) | DMX-RDM DMX/RDM | S Power in (7.9"), DMX in, DMX out (59") | UNV 120 - 277V | SP Spot 13° | SP Spot 13° | AG Anthracite Grey | AST Anti Saline Treatment |
| CP600PE Capital 600 Polar Edition | | | M Monocable without Connectors (19.7") | | NB Narrow 16° | NB Narrow 16° | BL Black | 3G 3G Mounting Yoke |
| | | | C Monocable with Connectors (19.7") | | MB Medium 25° | MB Medium 25° | SG Griven Silver Grey | LVR Internal Honey- comb Louver |
| | | | | | WB Wide 46° | WB Wide 46° | WH White | |
| | | | | | EW Extra Wide 64° | EW Extra Wide 64° | CC Custom RAL Color | |
| | | | | | ELH Elliptical Horizontal 40° x 14° | ELH Elliptical Horizontal 40° x 14° | | |
| | | | | | ELWH Elliptical Wide Horizontal 38° x 23° | ELWH Elliptical Wide Horizontal 38° x 23° | | |
| | | | | | WW Wall Wash 36° x 19° | WW Wall Wash 36° x 19° | | |

*Consult factory for availability of other optical options.

See Page 5 for ordering information of available accessories.

| | | CAPITAL 600 |
|----------|-----------------------|--------------------------------|
| PHYSICAL | HOUSING | Die-Cast Aluminum |
| | OVERALL DIMENSIONS | 20.4" L x 5.9" W x 29.8" H |
| | WEIGHT | 72.3 Pounds |
| | OPERATING TEMPERATURE | -40°C to 50°C (-40°F to 122°F) |

| | | | | |
|--------------|---------|--|---|--|
| ELECTRICAL | POWER | 570 Watts (285 Watts per Luminaire) | | |
| | CURRENT | 4.75 Amps at 120 Volts (570 Watts) 2.05 Amps at 277 Volts (570 Watts) | | |
| | CONTROL | DMX-RDM, Standalone, Master-Satellite Operation | | |
| | CABLE | S Cable | M Cable | C Cable |
| | | Power In, DMX In, DMX Out Cables | 6-Polarity In and Out Power/Data Monocable Without Connectors | 6-Polarity In and Out Power/Data Monocable With Connectors |
| CABLE LENGTH | 59" | 19.7" | 19.7" | |

| | | | | |
|-------------|---------------------------|---|--|--|
| PHOTOMETRIC | LED | Dynamic White (2700K to 6500K) | | |
| | NUMBER OF LEDS | 192 | | |
| | DRIVER LOCATION | Integral | | |
| | DELIVERED LUMEN OUTPUT | up to 55,860 lumens (27,930 lumens per luminaire) | | |
| | EFFICACY | up to 98 lumens per watt | | |
| | LUMEN MAINTENANCE | L70 > 100,000 Hours at 77°F* | | |
| | LIGHT CONTROL ACCESSORIES | Snoot, Visor, Internal Honeycomb Louver Available | | |

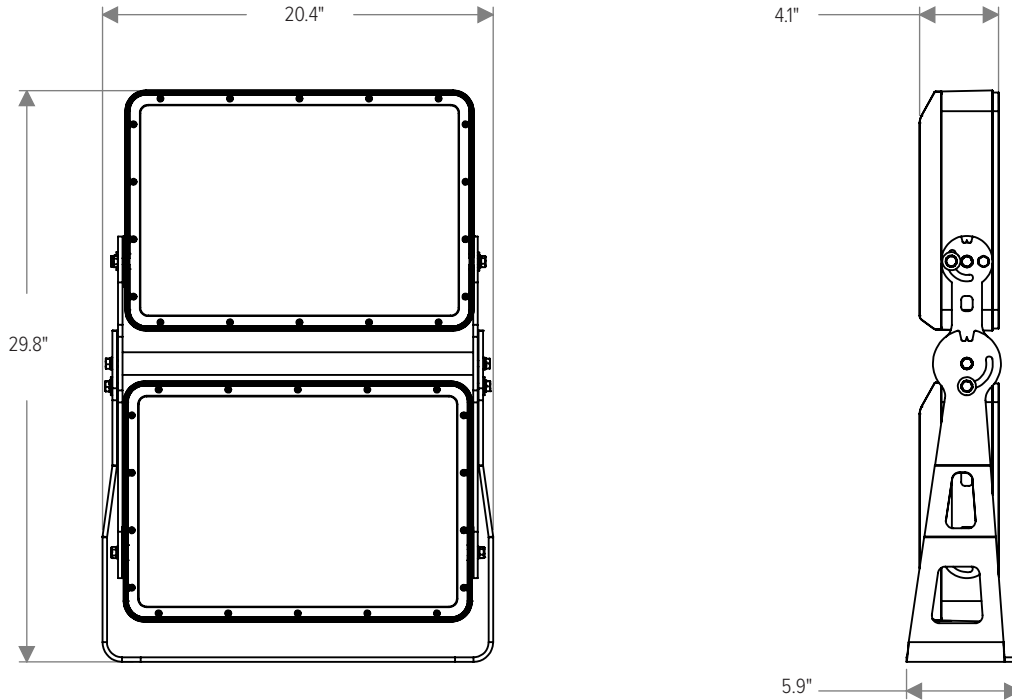
| LIGHT DISTRIBUTIONS | DISTRIBUTION | BEAM ANGLE | LUMENS | EFFICACY |
|---------------------|-----------------|------------------------|--------|----------|
| | SPOT | 13° | 27930 | 98 |
| | NARROW | 16° | 25666 | 90 |
| | MEDIUM | 25° | 25587 | 90 |
| | WIDE | 46° | 25836 | 91 |
| | EXTRA WIDE | 64° | 27245 | 96 |
| | ELLIPTICAL | 40° x 14° | 25230 | 89 |
| | ELLIPTICAL WIDE | 38° x 23° | 22945 | 81 |
| | WALL WASH | 36° x 19° (5° Incline) | 21506 | 75 |

NOTE: Lumen values shown are for single luminaire head. Multiply by 2 to obtain values for dual luminaire heads.

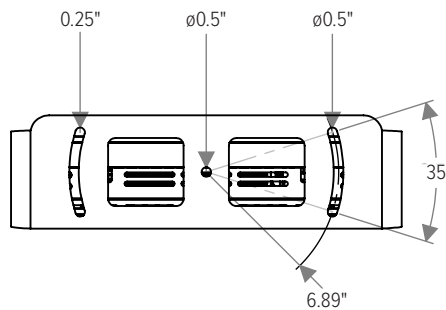
| | | | | |
|----------------|--------------------|---------------------------------|--|--|
| CERTIFICATIONS | SAFETY | ETL Certified for Wet Locations | | |
| | INGRESS PROTECTION | IP67 | | |
| | IMPACT RATING | IK09 | | |
| | WARRANTY | Limited Five Year Warranty | | |

DIMENSIONS

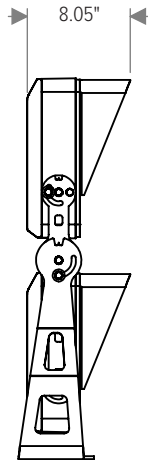
All dimensions are shown in inches unless otherwise noted.



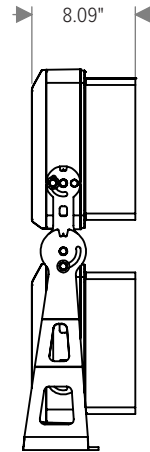
MOUNTING



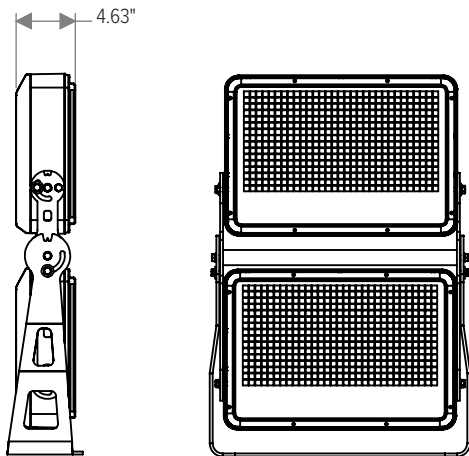
ACCESSORY DIMENSIONS



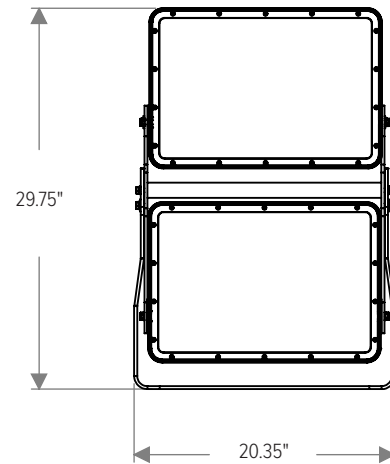
With Visor (CP300-VISOR-XX)



With Snoot (CP300-SNOOT-XX)



With Wire Guard (CP300-WIREGUARD-XX)



With 3G Mounting Yoke
(Factory Installed, Ordered with Luminaire)

ACCESSORIES

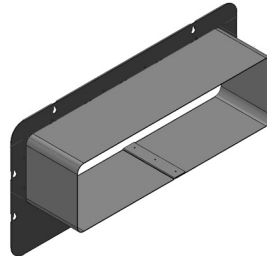
NOTE: Accessories are ordered and shipped separately from luminaire for field installation.

Accessories shown are sold individually for single luminaire heads. Two units must be ordered if dual head application is required.

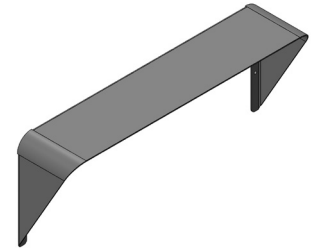
-XX* indicates a painted accessory. See bottom of page for painted accessory ordering information.



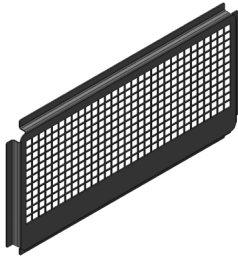
IR-CONFIG-REMOTE
Infrared Configuration Remote



CP300-SNOOT-XX*
Snoot



CP300-VISOR-XX*
Visor



CP300-WIREGUARD-XX*
Wire Guard

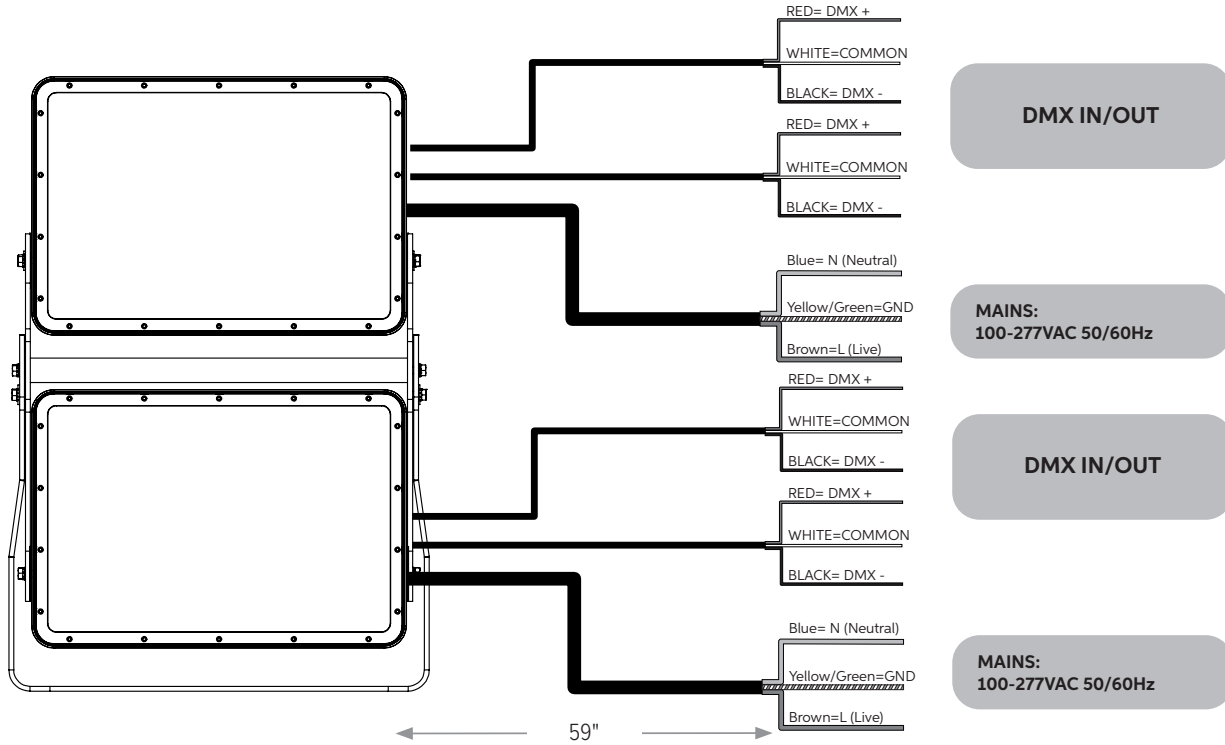
ORDERING INFORMATION

| PAINTED ACCESSORIES | | | | | |
|---------------------|------------|---------------|--------------------|--------|-----------------------|
| MODEL | | FINISH (*-XX) | | OPTION | |
| CP300-SNOOT | Snoot | AG | Anthracite Grey | AST | Anti-Saline Treatment |
| CP300-VISOR | Visor | BL | Black | | |
| CP300-WIREGUARD | Wire Guard | SG | Griven Silver Grey | | |
| | | WH | White | | |
| | | CC | Custom RAL Color | | |

Accessories shown are sold individually for single luminaire heads. Two units must be ordered if dual head application is required.

CONNECTIONS

"S" Type Cable (Power In, DMX In, DMX Out)



"M" Type Cable (Monocable Without Connectors)

