

DESCRIPTION

CAPITAL 600 floodlight is available with a vast choice of combinable optics and color configurations for the maximum lighting design flexibility. Featuring full independent control of each LED luminaire, this twin cluster luminaire system allows absolute freedom in a minimal footprint to create impressive matching or divergent dynamic effects on large-scale façades and architectural elements from a long distance with surprising luminous output.



Date: _____ Type: _____ Catalog Number: _____

Project Name: _____

ORDERING INFORMATION

LUMINAIRE								
MODEL	CCT	CONTROL	CABLE	VOLTAGE	UPPER OPTIC	LOWER OPTIC	FINISH	OPTION
CP600 Capital 600	RGBW30K RGBW 3000K White	DMX-RDM DMX/RDM	S Power in (7.9"), DMX in, DMX out (59")	UNV 120 - 277V	SP Spot 8°	SP Spot 8°	AG Anthracite Grey	AST Anti Saline Treatment
CP600PE Capital 600 Polar Edition	RGBW40K RGBW 4000K White		M Monocable without Connectors (19.7")		NB Narrow 12°	NB Narrow 12°	BL Black	3G 3G Mounting Yoke
			C Monocable with Connectors (19.7")		MB Medium 23°	MB Medium 23°	SG Griven Silver Grey	LVR Internal Honeycomb Louver
					WB Wide 43°	WB Wide 43°	WH White	
					EW Extra Wide 58°	EW Extra Wide 58°	CC Custom RAL Color	
					ELH Elliptical Horizontal 42° x 10°	ELH Elliptical Horizontal 42° x 10°		
					ELWH Elliptical Wide Horizontal 39° x 20°	ELWH Elliptical Wide Horizontal 39° x 20°		
					WW Wall Wash 36° x 15°	WW Wall Wash 36° x 15°		

*Consult factory for availability of other optical options.

		CAPITAL 600
PHYSICAL	HOUSING	Die-Cast Aluminum
	OVERALL DIMENSIONS	20.4" L x 5.9" W x 29.8" H
	WEIGHT	72.3 Pounds
	OPERATING TEMPERATURE	-40°C to 50°C (-40°F to 122°F)

ELECTRICAL	POWER	512 Watts (256 Watts per Luminaire)		
	CURRENT	4.27 Amps at 120 Volts (512 Watts) 1.84 Amps at 277 Volts (512 Watts)		
	CONTROL	DMX-RDM, Standalone, Master-Satellite Operation		
	CABLE	S Cable	M Cable	C Cable
		Power In, DMX In, DMX Out Cables	6-Polarity In and Out Power/Data Monocable Without Connectors	6-Polarity In and Out Power/Data Monocable With Connectors
CABLE LENGTH	59"	19.7"	19.7"	

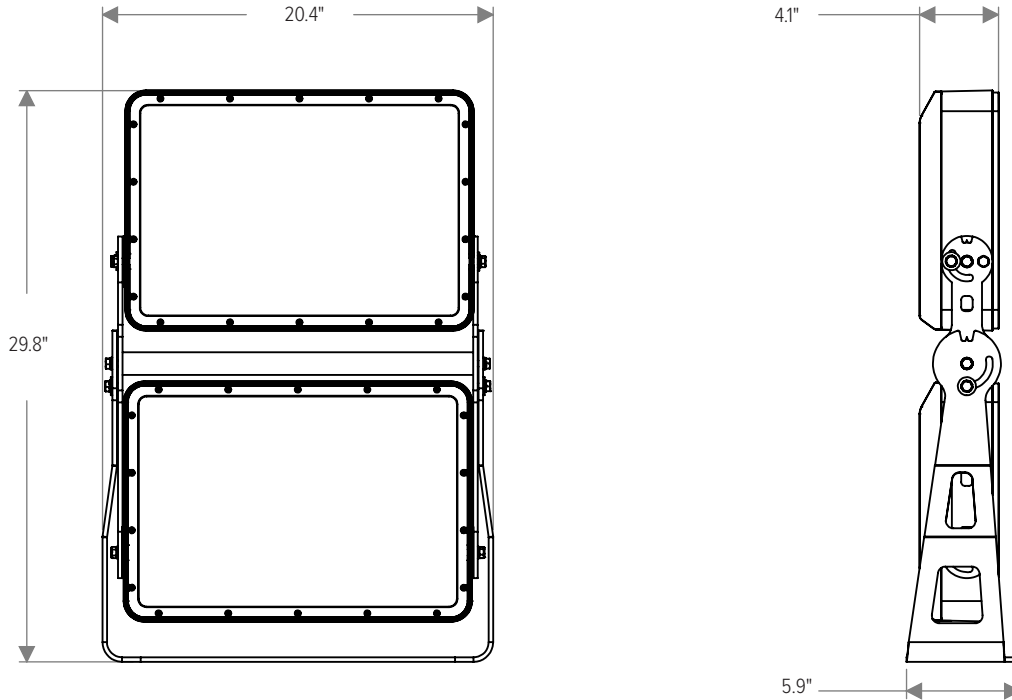
PHOTOMETRIC	LED	RGBW (3000K or 4000K White)		
	NUMBER OF LEDS	192		
	DRIVER LOCATION	Integral		
	DELIVERED LUMEN OUTPUT	up to 33,684 lumens (16,842 lumens per luminaire)		
	EFFICACY	up to 66 lumens per watt		
	LUMEN MAINTENANCE	L70 > 100,000 Hours at 77°F*		
	LIGHT CONTROL ACCESSORIES	Snoot, Visor, Internal Honeycomb Louver Available		

LIGHT DISTRIBUTIONS	DISTRIBUTION	BEAM ANGLE	RGBW 3000K		RGBW 4000K	
			LUMENS	EFFICACY	LUMENS	EFFICACY
NOTE: Lumen values shown are for single luminaire head. Multiply by 2 to obtain values for dual luminaire heads.	Spot	8°	15715	61	16201	63
	Narrow	12°	13975	55	14408	56
	Medium	23°	16336	64	16842	66
	Wide	43°	13164	51	13572	53
	Extra Wide	58°	10658	42	10988	43
	Elliptical Horizontal	42° H x 10° V	12885	50	13284	52
	Elliptical Wide Horizontal	39° H x 20° V	12091	47	12465	49
	Wall Wash	36° H x 15° V with 5° Incline	11073	43	11416	45

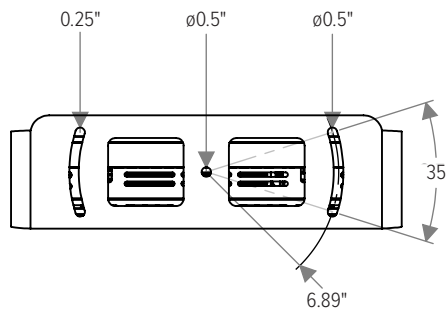
CERTIFICATIONS	SAFETY	ETL Certified for Wet Locations
	INGRESS PROTECTION	IP67
	IMPACT RATING	IK09
	WARRANTY	Limited Five Year Warranty

DIMENSIONS

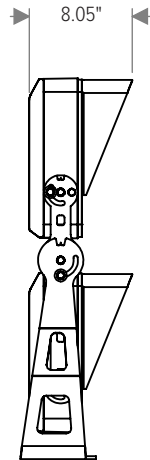
All dimensions are shown in inches unless otherwise noted.



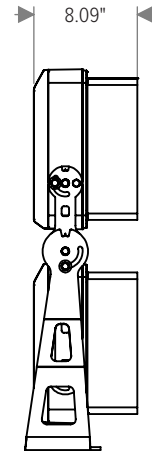
MOUNTING



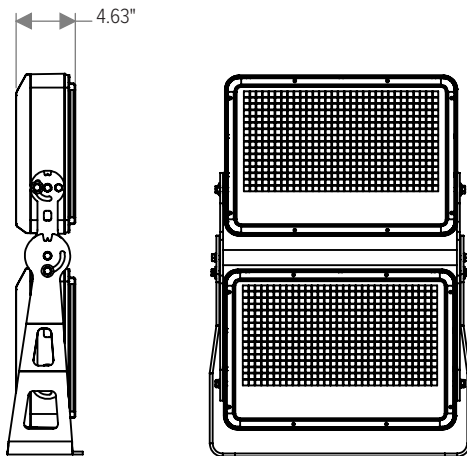
ACCESSORY DIMENSIONS



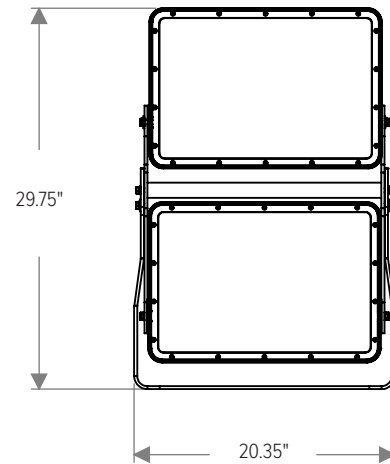
With Visor (CP300-VISOR-XX)



With Snoot (CP300-SNOOT-XX)



With Wire Guard (CP300-WIREGUARD-XX)



With 3G Mounting Yoke
(Factory Installed, Ordered with Luminaire)

ACCESSORIES

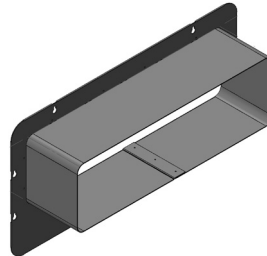
NOTE: Accessories are ordered and shipped separately from luminaire for field installation.

Accessories shown are sold individually for single luminaire heads. Two units must be ordered if dual head application is required.

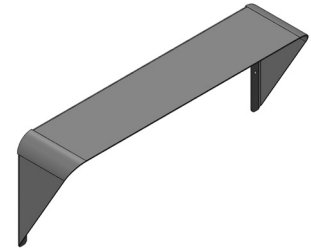
-XX* indicates a painted accessory. See bottom of page for painted accessory ordering information.



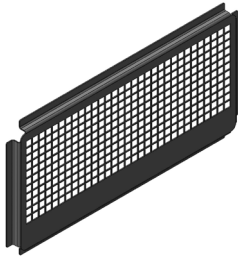
IR-CONFIG-REMOTE
Infrared Configuration Remote



CP300-SNOOT-XX*
Snoot



CP300-VISOR-XX*
Visor



CP300-WIREGUARD-XX*
Wire Guard

ORDERING INFORMATION

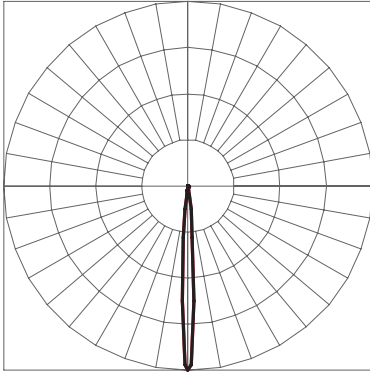
PAINTED ACCESSORIES					
MODEL		FINISH (*-XX)		OPTION	
CP300-SNOOT	Snoot	AG	Anthracite Grey	AST	Anti-Saline Treatment
CP300-VISOR	Visor	BL	Black		
CP300-WIREGUARD	Wire Guard	SG	Griven Silver Grey		
		WH	White		
		CC	Custom RAL Color		

Accessories shown are sold individually for single luminaire heads. Two units must be ordered if dual head application is required.

PHOTOMETRICS - RGBW CANDELA DISTRIBUTION
(Per Luminaire)

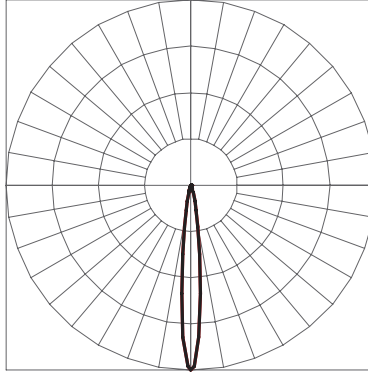
 HORIZONTAL
 VERTICAL

SPOT 8° (SP)



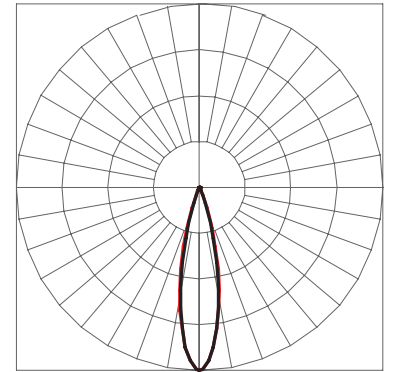
CBCP 505,571 / 12,757 LM

NARROW 12° (NB)



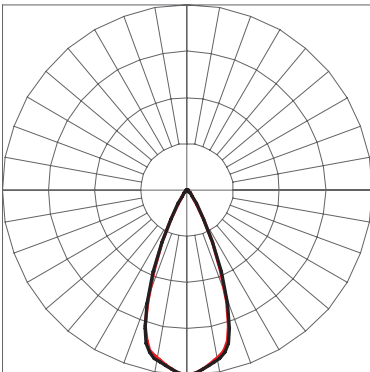
CBCP 170,504 / 11,345 LM

MEDIUM 23° (MB)



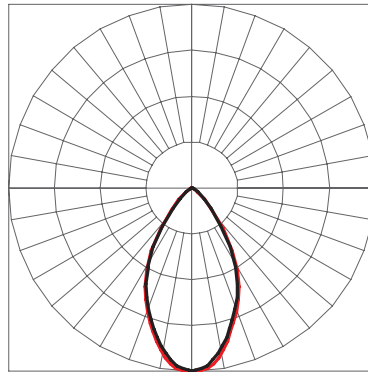
CBCP 58,652 / 10,899 LM

WIDE 43° (WB)



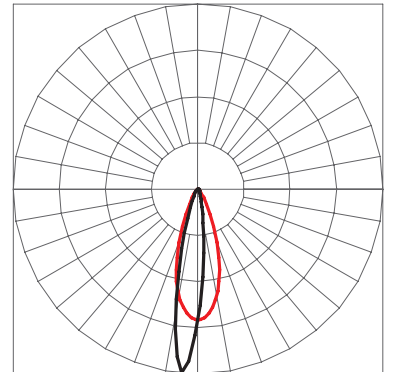
CBCP 19,470 / 10,687 LM

EXTRA WIDE 58° (EXWB)



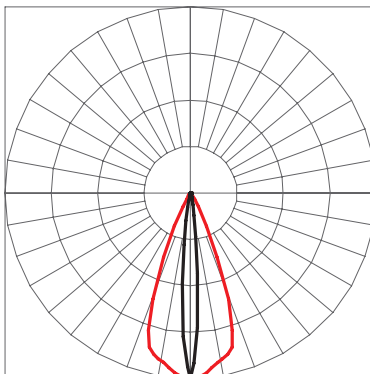
CBCP 9,037 / 8,652 LM

WALL WASH 36° x 15° (WW)



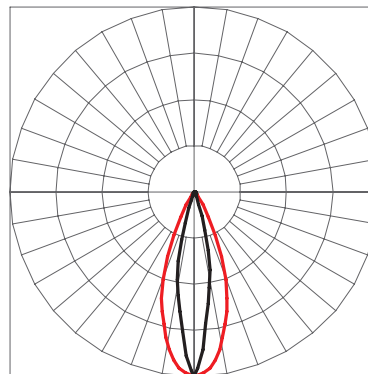
CBCP 38,779 / 8,989 LM

ELLIPTICAL 42° x 10° (ELLB)



CBCP 69,772 / 10,460 LM

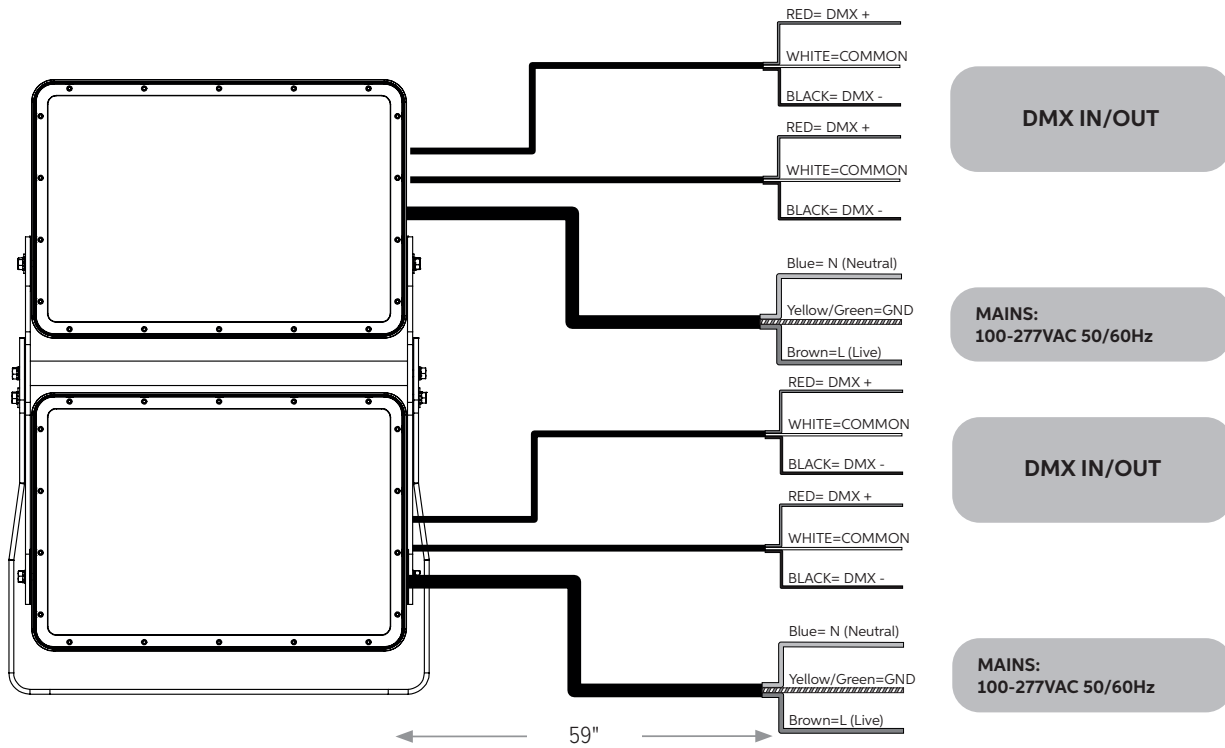
WIDE 39° x 20° (ELWB)



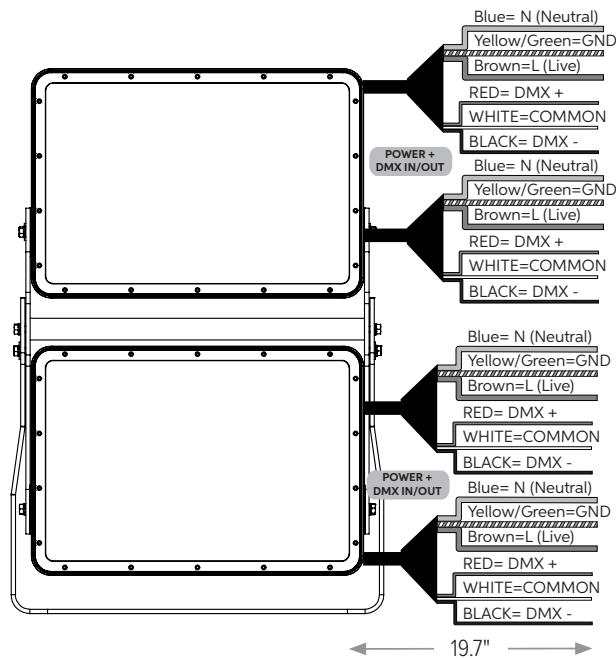
CBCP 34,424 / 9,815 LM

CONNECTIONS

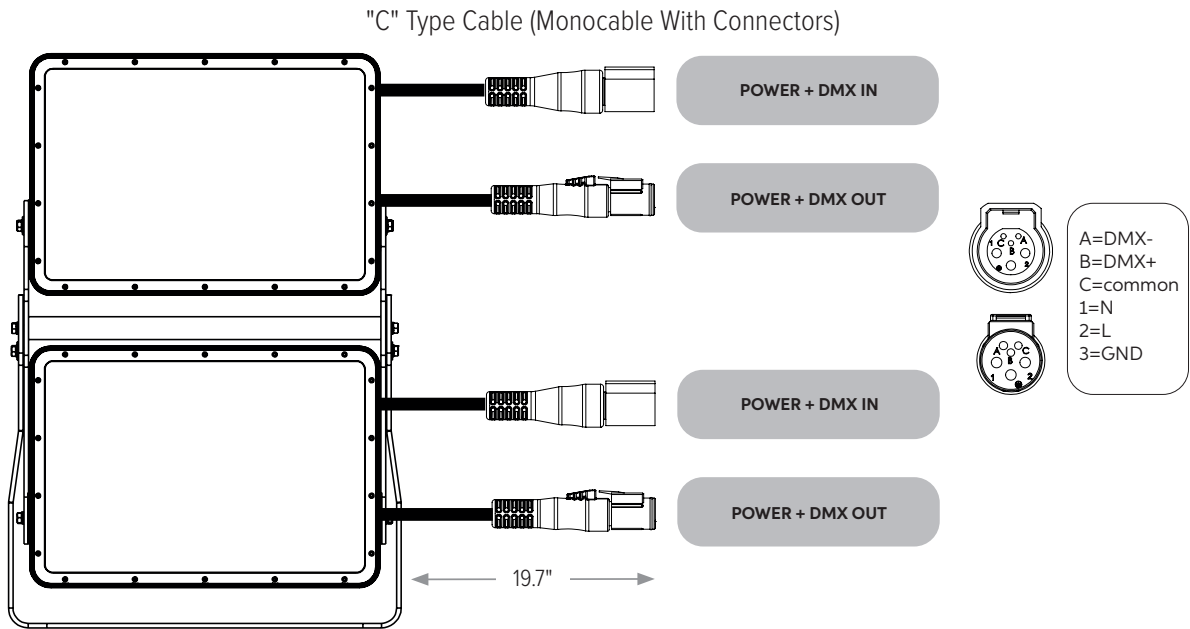
"S" Type Cable (Power In, DMX In, DMX Out)



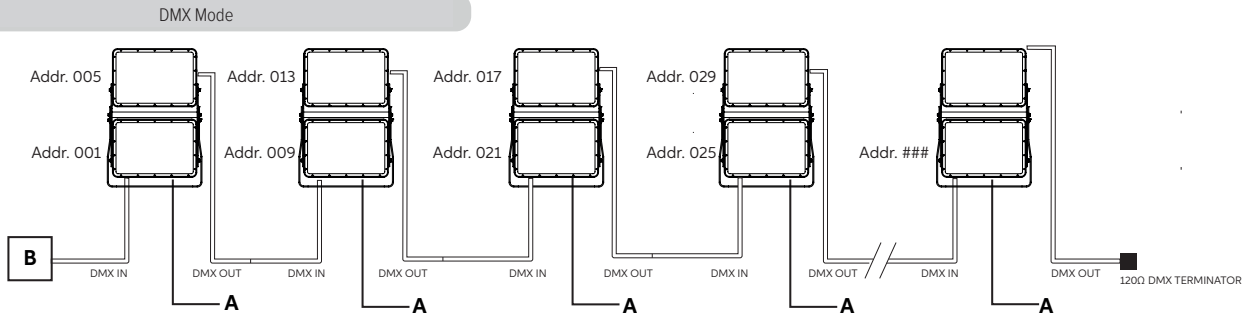
"M" Type Cable (Monocable Without Connectors)



CONNECTIONS



OPERATING MODES



Example with fixtures set to 4 DMX channels

