

DESCRIPTION

CAPITAL 600 floodlight is available with a vast choice of combinable optics and color configurations for the maximum lighting design flexibility. Featuring full independent control of each LED luminaire, this twin cluster luminaire system allows absolute freedom in a minimal footprint to create impressive matching or divergent dynamic effects on large-scale façades and architectural elements from a long distance with surprising luminous output.



Date: _____ Type: _____ Catalog Number: _____

Project Name: _____

ORDERING INFORMATION

LUMINAIRE								
MODEL	CCT	CONTROL	CABLE	VOLTAGE	UPPER OPTIC	LOWER OPTIC	FINISH	OPTION
CP600 Capital 600	27K 2700K	DMX-RDM DMX/RDM	S Power in (7.9"), DMX in, DMX out (59")	UNV 120 - 277V	SP Spot 13°	SP Spot 13°	AG Anthracite Grey	AST Anti Saline Treatment
CP600PE Capital 600 Polar Edition	30K 3000K		M Monocable without Connectors (19.7")		NB Narrow 16°	NB Narrow 16°	BL Black	3G 3G Mounting Yoke
	40K 4000K		C Monocable with Connectors (19.7")		MB Medium 25°	MB Medium 25°	SG Griven Silver Grey	LVR Internal Honeycomb Louver
					WB Wide 46°	WB Wide 46°	WH White	
					EW Extra Wide 64°	EW Extra Wide 64°	CC Custom RAL Color	
					ELH Elliptical Horizontal 40° x 14°	ELH Elliptical Horizontal 40° x 14°		
					ELWH Elliptical Wide Horizontal 38° x 23°	ELWH Elliptical Wide Horizontal 38° x 23°		
					WW Wall Wash 36° x 19°	WW Wall Wash 36° x 19°		

*Consult factory for availability of other optical options.

		CAPITAL 600
PHYSICAL	HOUSING	Die-Cast Aluminum
	OVERALL DIMENSIONS	20.4" L x 5.9" W x 29.8" H
	WEIGHT	72.3 Pounds
	OPERATING TEMPERATURE	-40°C to 50°C (-40°F to 122°F)

ELECTRICAL	POWER	570 Watts (285 Watts per Luminaire)		
	CURRENT	4.75 Amps at 120 Volts (570 Watts) 2.05 Amps at 277 Volts (570 Watts)		
	CONTROL	DMX-RDM, Standalone, Master-Satellite Operation		
	CABLE	S Cable	M Cable	C Cable
		Power In, DMX In, DMX Out Cables	6-Polarity In and Out Power/Data Monocable Without Connectors	6-Polarity In and Out Power/Data Monocable With Connectors
CABLE LENGTH	59"	19.7"	19.7"	

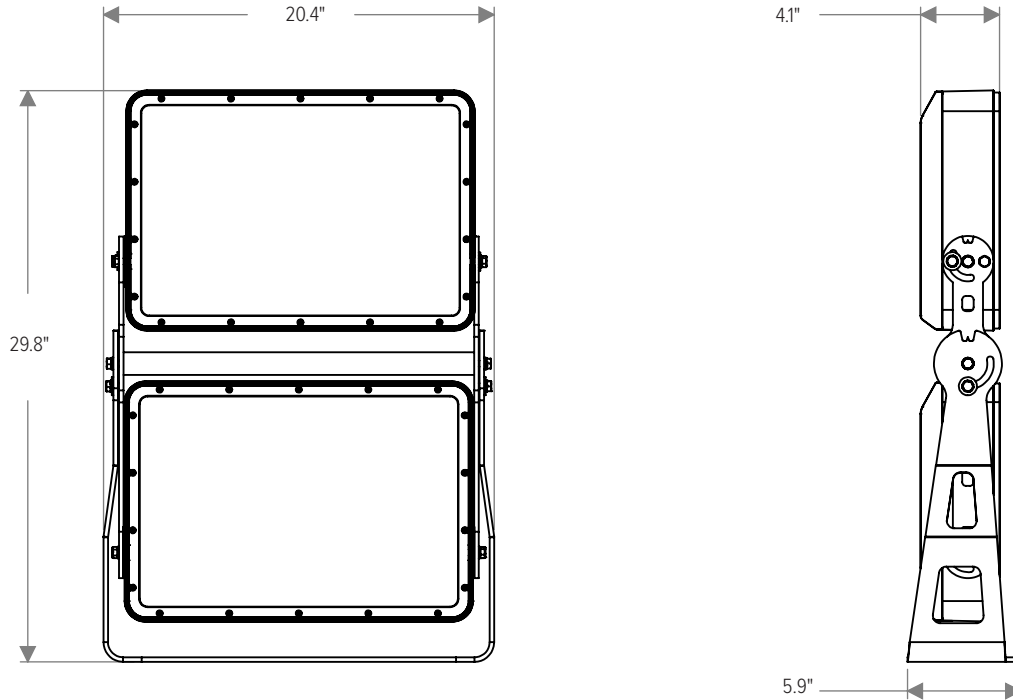
PHOTOMETRIC	LED	Static White 2700K, 3000K, or 4000K		
	NUMBER OF LEDS	192		
	DRIVER LOCATION	Integral		
	DELIVERED LUMEN OUTPUT	up to 55,628 lumens (27,814 lumens per luminaire)		
	EFFICACY	up to 98 lumens per watt		
	LUMEN MAINTENANCE	L70 > 100,000 Hours at 77°F*		
	LIGHT CONTROL ACCESSORIES	Snoot, Visor, Internal Honeycomb Louver Available		

LIGHT DISTRIBUTIONS	DISTRIBUTION	BEAM ANGLE	2700K & 3000K		4000K	
			LUMENS	EFFICACY	LUMENS	EFFICACY
			Spot	13°	25828	91
Narrow	16°	23734	83	25560	90	
Medium	25°	23661	83	25481	89	
Wide	46°	23892	84	25729	90	
Extra Wide	64°	25194	88	25194	88	
NOTE: Lumen values shown are for single luminaire head. Multiply by 2 to obtain values for dual luminaire heads.	Elliptical Horizontal	40° H x 14° V	23331	82	25125	88
	Elliptical Wide Horizontal	38° H x 23° V	21218	74	22850	80
	Wall Wash	36° H x 19° V with 5° Incline	19887	70	19887	70

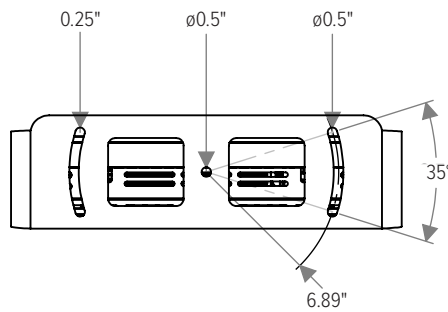
CERTIFICATIONS	SAFETY	ETL Certified for Wet Locations
	INGRESS PROTECTION	IP67
	IMPACT RATING	IK09
	WARRANTY	Limited Five Year Warranty

DIMENSIONS

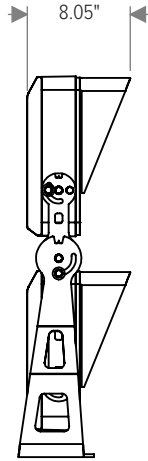
All dimensions are shown in inches unless otherwise noted.



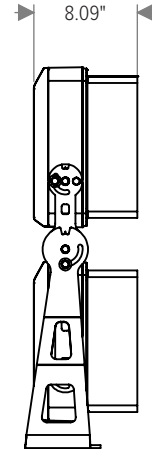
MOUNTING



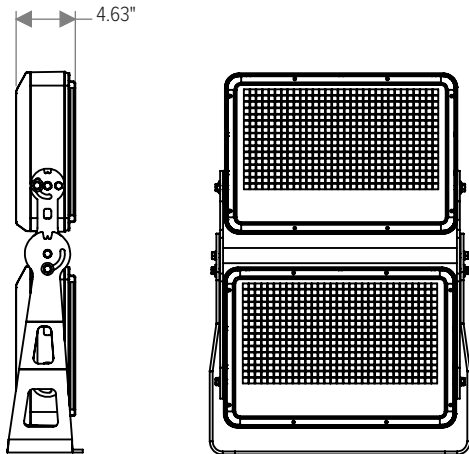
ACCESSORY DIMENSIONS



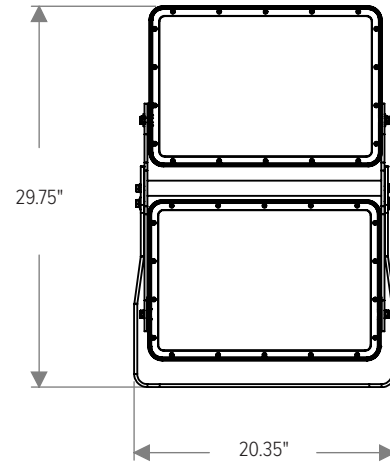
With Visor (CP300-VISOR-XX)



With Snoot (CP300-SNOOT-XX)



With Wire Guard (CP300-WIREGUARD-XX)



With 3G Mounting Yoke
(Factory Installed, Ordered with Luminaire)

ACCESSORIES

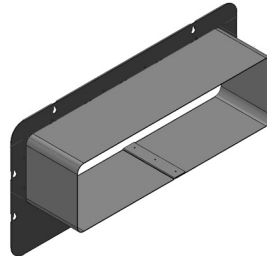
NOTE: Accessories are ordered and shipped separately from luminaire for field installation.

Accessories shown are sold individually for single luminaire heads. Two units must be ordered if dual head application is required.

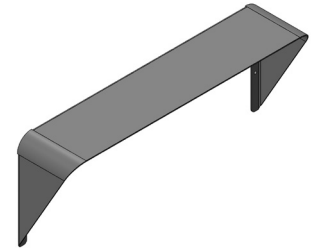
-XX* indicates a painted accessory. See bottom of page for painted accessory ordering information.



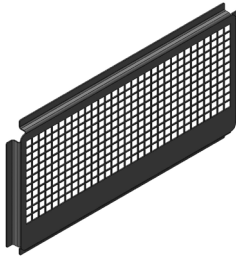
IR-CONFIG-REMOTE
Infrared Configuration Remote



CP300-SNOOT-XX*
Snoot



CP300-VISOR-XX*
Visor



CP300-WIREGUARD-XX*
Wire Guard

ORDERING INFORMATION

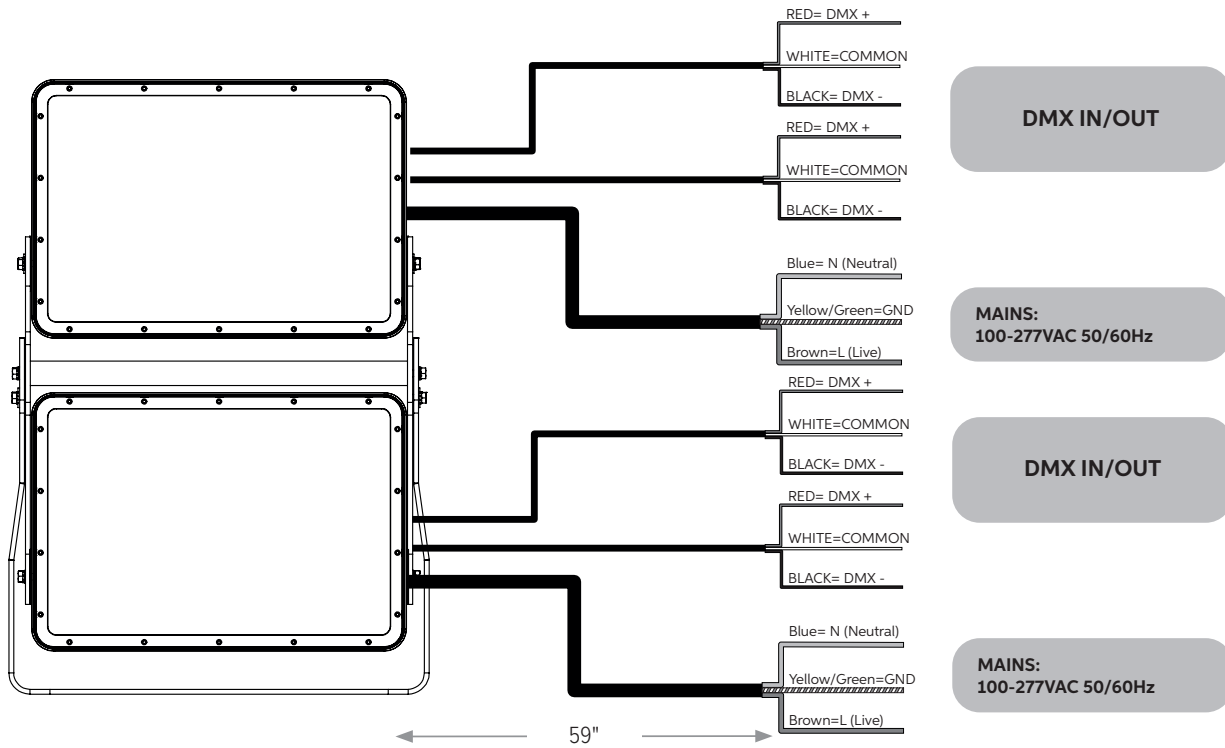
PAINTED ACCESSORIES

MODEL		FINISH (*-XX)		OPTION	
CP300-SNOOT	Snoot	AG	Anthracite Grey	AST	Anti-Saline Treatment
CP300-VISOR	Visor	BL	Black		
CP300-WIREGUARD	Wire Guard	SG	Griven Silver Grey		
		WH	White		
		CC	Custom RAL Color		

Accessories shown are sold individually for single luminaire heads. Two units must be ordered if dual head application is required.

CONNECTIONS

"S" Type Cable (Power In, DMX In, DMX Out)



"M" Type Cable (Monocable Without Connectors)

