

# CAPITAL 600 US

Dynamic White



## DESCRIPTION

CAPITAL 600 US accentuates the designer's palette with an ultra-narrow 3.2° beam using 60 high-power LEDs fitted with precision optics. Grazing of vertical columnar features or illumination of objects at distance both benefit from the high-performance of this luminaire.



Date: \_\_\_\_\_ Type: \_\_\_\_\_ Catalog Number: \_\_\_\_\_

Project Name: \_\_\_\_\_

## ORDERING INFORMATION

LUMINAIRE								
MODEL	CCT	CONTROL	CABLE	VOLTAGE	UPPER OPTIC *	LOWER OPTIC *	FINISH	OPTION
<b>CP600US</b> Capital 600 Ultra-Spot	<b>DW</b> Dynamic White (2700K to 6500K)	<b>DMX-RDM</b> DMX/RDM	<b>S</b> Power in (7.9 in.), DMX in, DMX out (59 in.)	<b>UNV</b> 120 - 277V	<b>US</b> Ultra-Spot 3.2°	<b>US</b> Ultra-Spot 3.2°	<b>AG</b> Anthracite Grey	<b>AST</b> Anti-Saline Treatment
<b>CP600USPE</b> Capital 600 Ultra-Spot Polar Edition			<b>M</b> Monocable Without Connectors (19.7 in.)				<b>BL</b> Black	<b>3G</b> 3G Mounting Yoke
			<b>C</b> Monocable With Connectors (19.7 in.)				<b>SG</b> Griven Silver Grey	
							<b>WH</b> White	
							<b>CC</b> Custom RAL Color	

\*Consult factory for availability of other optical options.

See Page 5 for ordering information of available accessories.

		CAPITAL 600 US
PHYSICAL	HOUSING	Die-Cast Aluminum
	OVERALL DIMENSIONS	20.4" L x 5.9" W x 29.8" H
	WEIGHT	72.3 Pounds
	OPERATING TEMPERATURE	-40°C to 50°C (-40°F to 122°F)

ELECTRICAL	POWER	312 Watts (156 Watts per Luminaire)		
	CURRENT	2.6 Amps at 120 Volts (312 Watts) 1.13 Amps at 277 Volts (312 Watts)		
	CONTROL	DMX-RDM, Standalone, Master-Satellite Operation		
	CABLE	S Cable	M Cable	C Cable
		Power In, DMX In, DMX Out Cables	6-Polarity In and Out Power/Data Monocable Without Connectors	6-Polarity In and Out Power/Data Monocable With Connectors
	CABLE LENGTH	59"	19.7"	19.7"
	MODES	- DW (2 Channels) - DW + Intensity (3 Channels) - DW 16-Bit Mode (4 Channels)		- Master/Satellite - Stand-Alone Fixed CCT

PHOTOMETRIC	LED	Dynamic White (2700K to 6500K)		
	NUMBER OF LEDS	120 High-Power LEDs		
	DRIVER LOCATION	Integral		
	DELIVERED LUMEN OUTPUT	up to 19,940 lumens (9970 lumens per luminaire)		
	EFFICACY	up to 64 lumens per watt		
	LUMEN MAINTENANCE	L70 > 100,000 Hours at 77°F*		
	LIGHT CONTROL ACCESSORIES	Snoot, Visor Available		

LIGHT DISTRIBUTIONS	DISTRIBUTION	BEAM ANGLE	LUMENS	EFFICACY	MAX. CANDELA
	Ultra-Spot	3.2°	9970	64	1,641,253
NOTE: Lumen values shown are for single luminaire head. Multiply by 2 to obtain values for dual luminaire heads.					

CERTIFICATIONS	SAFETY	ETL Certified for Wet Locations			
	INGRESS PROTECTION	IP67			
	IMPACT RATING	IK09			
	WARRANTY	Limited Five Year Warranty			

\* LED life may vary under actual field conditions due to external factors. Lifetime estimates are generated from actual testing in a controlled environment. Values are conservatively derived from those numbers.

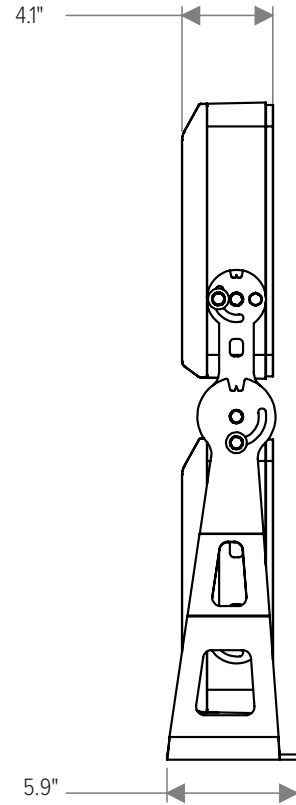
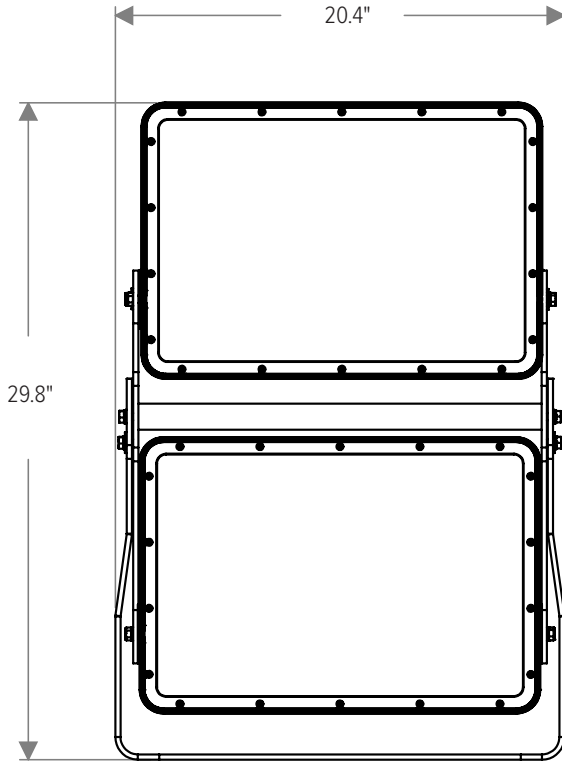
# CAPITAL 600 US

Dynamic White

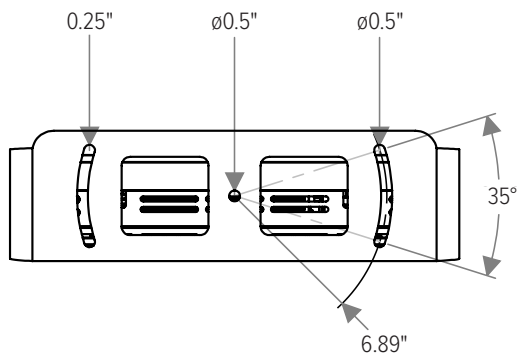


## DIMENSIONS

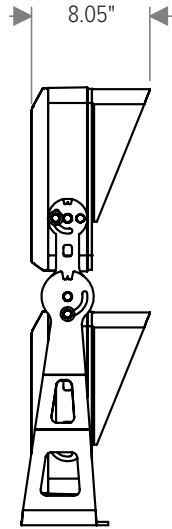
All dimensions are shown in inches unless otherwise noted.



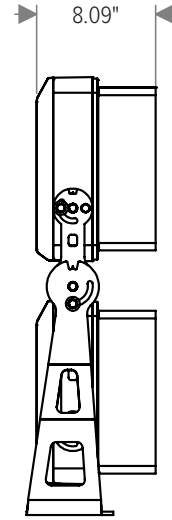
## MOUNTING



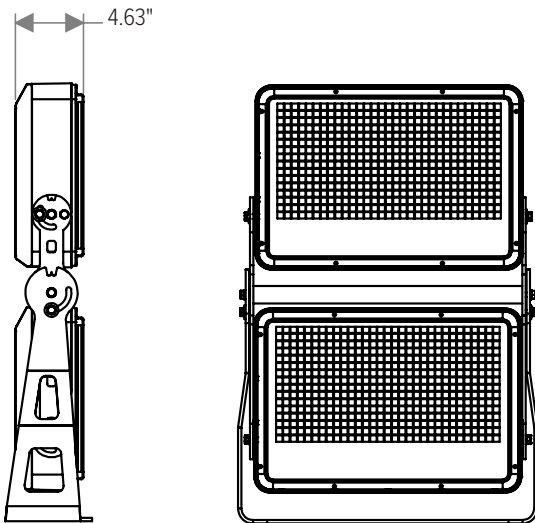
ACCESSORY DIMENSIONS



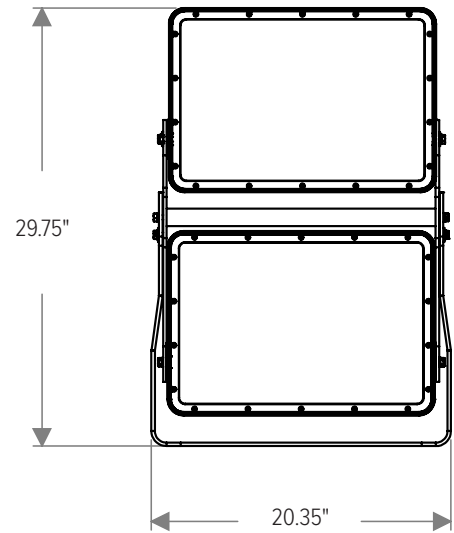
With Visor (CP300-VISOR-XX)



With Snoot (CP300-SNOOT-XX)



With Wire Guard (CP300-WIREGUARD-XX)



With 3G Mounting Yoke  
(Factory Installed, Ordered with Luminaire)

ACCESSORIES

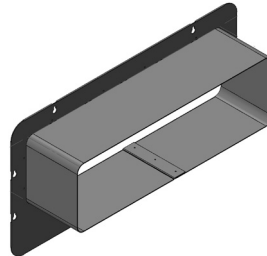
NOTE: Accessories are ordered and shipped separately from luminaire for field installation.

Accessories shown are sold individually for single luminaire heads. Two units must be ordered if dual head application is required.

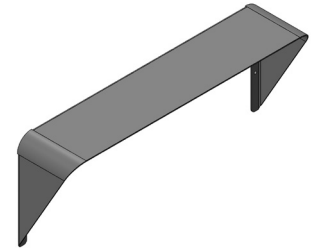
-XX\* indicates a painted accessory. See bottom of page for painted accessory ordering information.



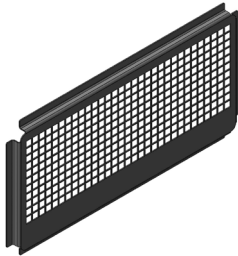
IR-CONFIG-REMOTE  
Infrared Configuration Remote



CP300-SNOOT-XX\*  
Snoot



CP300-VISOR-XX\*  
Visor



CP300-WIREGUARD-XX\*  
Wire Guard

ORDERING INFORMATION

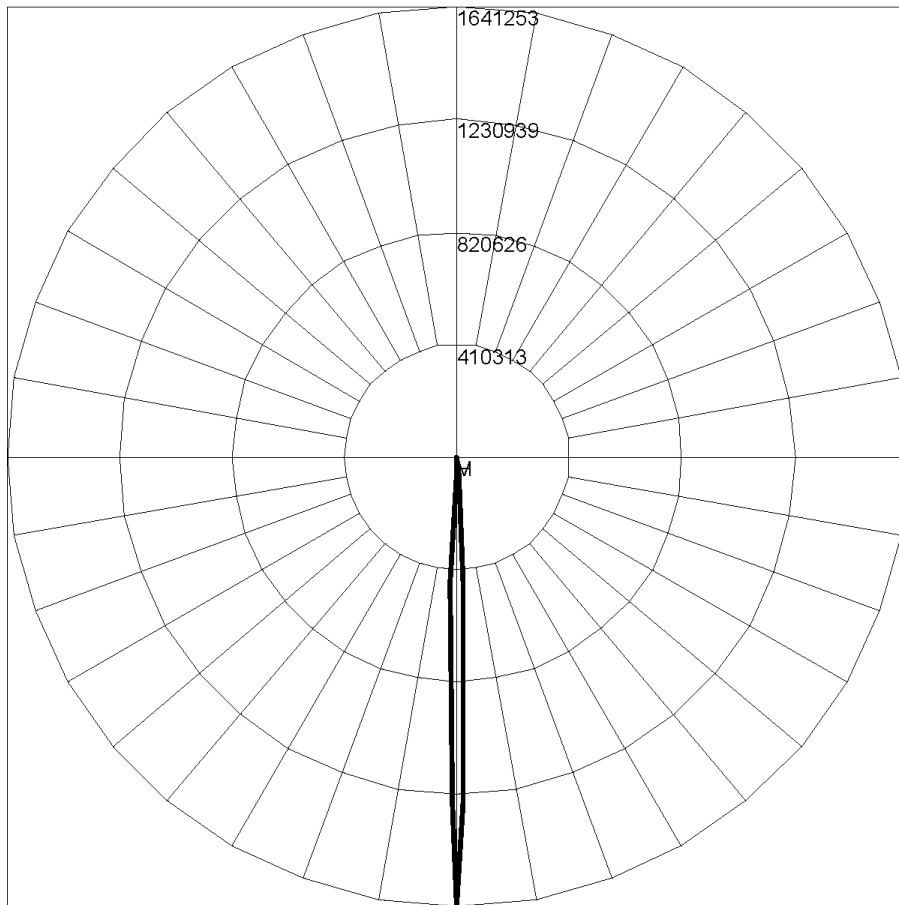
PAINTED ACCESSORIES					
MODEL		FINISH (*-XX)		OPTION	
CP300-SNOOT	Snoot	AG	Anthracite Grey	AST	Anti-Saline Treatment
CP300-VISOR	Visor	BL	Black		
CP300-WIREGUARD	Wire Guard	SG	Griven Silver Grey		
		WH	White		
		CC	Custom RAL Color		

Accessories shown are sold individually for single luminaire heads. Two units must be ordered if dual head application is required.

PHOTOMETRICS - CANDELA DISTRIBUTION — HORIZONTAL  
— VERTICAL

## ULTRA SPOT 3.2°

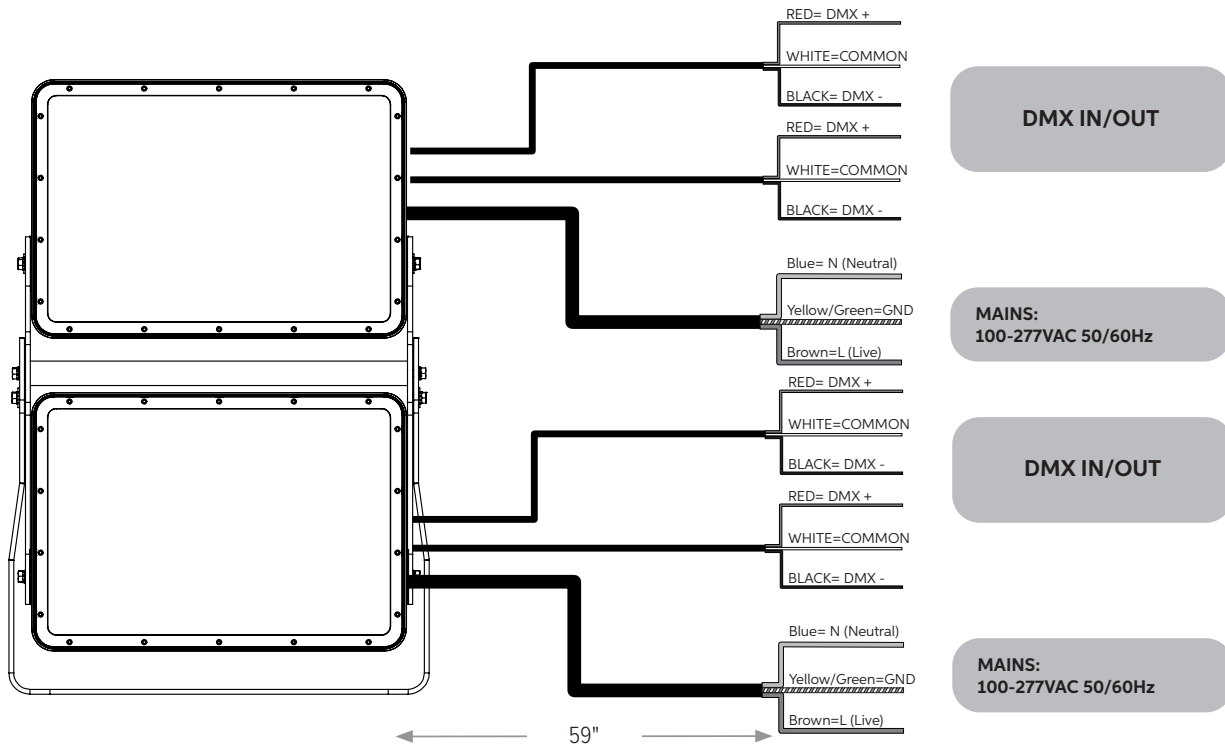
Maximum Candela = 1641253 / 9970 Lumens per Luminaire



Maximum Candela = 1641252.6 Located At Horizontal Angle = 0, Vertical Angle = 0  
H - Horizontal Axial Candela  
V - Vertical Axial Candela

CONNECTIONS

"S" Type Cable (Power In, DMX In, DMX Out)



"M" Type Cable (Monocable Without Connectors)

