

DESCRIPTION

CAPITAL 600 US accentuates the designer's palette with an ultra-narrow 3.2° beam using 60 high-power LEDs fitted with precision optics. Grazing of vertical columnar features or illumination of objects at distance both benefit from the high-performance of this luminaire.



Date: _____ Type: _____ Catalog Number: _____

Project Name: _____

ORDERING INFORMATION

LUMINAIRE								
MODEL	CCT	CONTROL	CABLE	VOLTAGE	UPPER OPTIC *	LOWER OPTIC *	FINISH	OPTION
CP600US Capital 600 Ultra-Spot	RGBW30K RGBW (3000K White)	DMX-RDM DMX/RDM	S Power in (7.9 in.), DMX in, DMX out (59 in.)	UNV 120 - 277V	US Ultra-Spot 3.2°	US Ultra-Spot 3.2°	AG Anthracite Grey	AST Anti-Saline Treatment
CP600USPE Capital 600 Ultra-Spot Polar Edition	RGBW40K RGBW (4000K White)		M Monocable Without Connectors (19.7 in.)				BL Black	3G 3G Mounting Yoke
			C Monocable With Connectors (19.7 in.)				SG Griven Silver Grey	
							WH White	
							CC Custom RAL Color	

*Consult factory for availability of other optical options.

See Page 5 for ordering information of available accessories.

		CAPITAL 600 US
PHYSICAL	HOUSING	Die-Cast Aluminum
	OVERALL DIMENSIONS	20.4" L x 5.9" W x 29.8" H
	WEIGHT	72.3 Pounds
	OPERATING TEMPERATURE	-40°C to 50°C (-40°F to 122°F)

ELECTRICAL	POWER	312 Watts (156 Watts per Luminaire)		
	CURRENT	2.6 Amps at 120 Volts (312 Watts) 1.13 Amps at 277 Volts (312 Watts)		
	CONTROL	DMX-RDM, Standalone, Master-Satellite Operation		
	CABLE	S Cable	M Cable	C Cable
		Power In, DMX In, DMX Out Cables	6-Polarity In and Out Power/Data Monocable Without Connectors	6-Polarity In and Out Power/Data Monocable With Connectors
	CABLE LENGTH	59"	19.7"	19.7"
MODES	- RGBW (4 Channels) - RGBW + Intensity (5 Channels) - RGBW 16-Bit (8 Channels) - Fixed Color		- Master/Satellite - RGBW Calibrated White (4 Channels) - RGBW + Intensity + Strobe (6 Channels)	

PHOTOMETRIC	LED	RGBW (3000K or 4000K White)
	NUMBER OF LEDS	120 High-Power LEDs
	DRIVER LOCATION	Integral
	DELIVERED LUMEN OUTPUT	up to 13,458 lumens (6729 lumens per luminaire)
	EFFICACY	up to 43 lumens per watt
	LUMEN MAINTENANCE	L70 > 100,000 Hours at 77°F*
	LIGHT CONTROL ACCESSORIES	Snoot, Visor Available

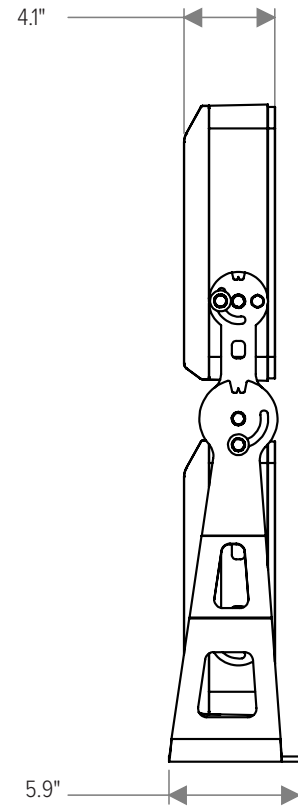
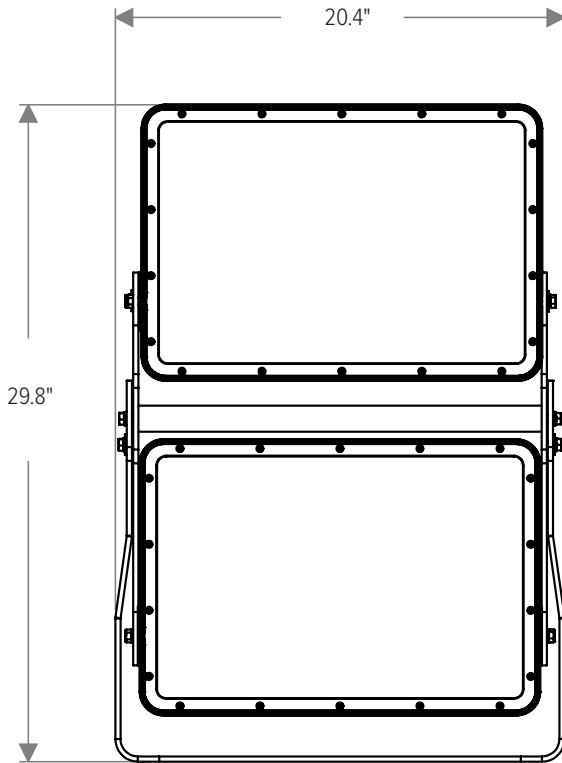
LIGHT DISTRIBUTIONS	DISTRIBUTION	BEAM ANGLE	RGBW 3000K		RGBW 4000K	
			LUMENS	EFFICACY	LUMENS	EFFICACY
	Ultra-Spot	3.2°	6527	42	6729	43
NOTE: Lumen values shown are for single luminaire head. Multiply by 2 to obtain values for dual luminaire heads.						

CERTIFICATIONS	SAFETY	ETL Certified for Wet Locations
	INGRESS PROTECTION	IP67
	IMPACT RATING	IK09
	WARRANTY	Limited Five Year Warranty

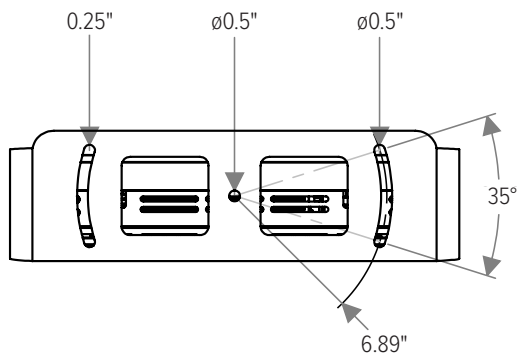
* LED life may vary under actual field conditions due to external factors. Lifetime estimates are generated from actual testing in a controlled environment. Values are conservatively derived from those numbers.

DIMENSIONS

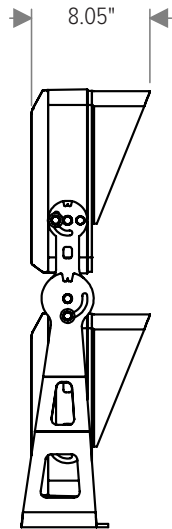
All dimensions are shown in inches unless otherwise noted.



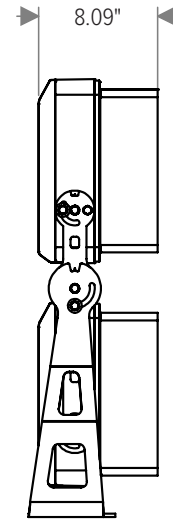
MOUNTING



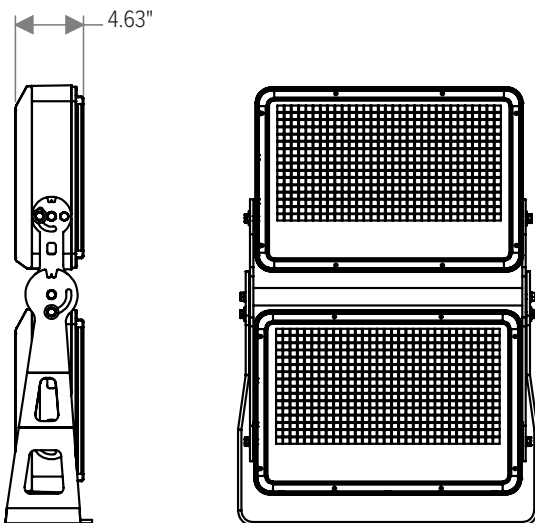
ACCESSORY DIMENSIONS



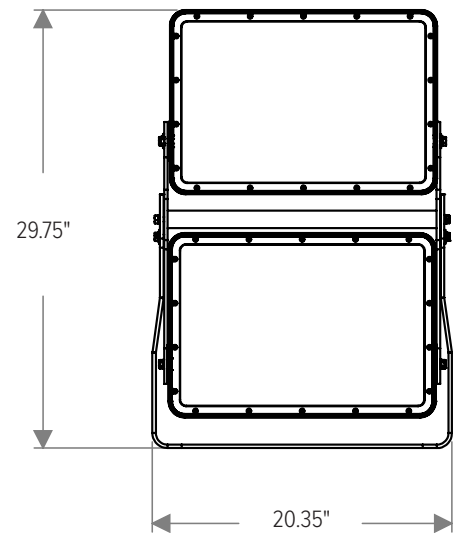
With Visor (CP300-VISOR-XX)



With Snoot (CP300-SNOOT-XX)



With Wire Guard (CP300-WIREGUARD-XX)



With 3G Mounting Yoke
(Factory Installed, Ordered with Luminaire)

ACCESSORIES

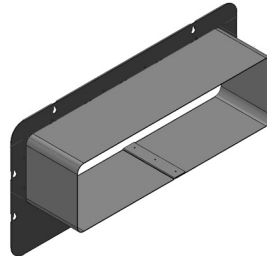
NOTE: Accessories are ordered and shipped separately from luminaire for field installation.

Accessories shown are sold individually for single luminaire heads. Two units must be ordered if dual head application is required.

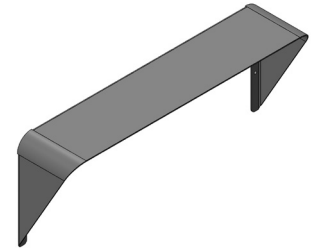
-XX* indicates a painted accessory. See bottom of page for painted accessory ordering information.



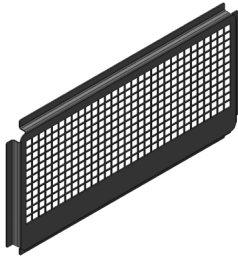
IR-CONFIG-REMOTE
Infrared Configuration Remote



CP300-SNOOT-XX*
Snoot



CP300-VISOR-XX*
Visor



CP300-WIREGUARD-XX*
Wire Guard

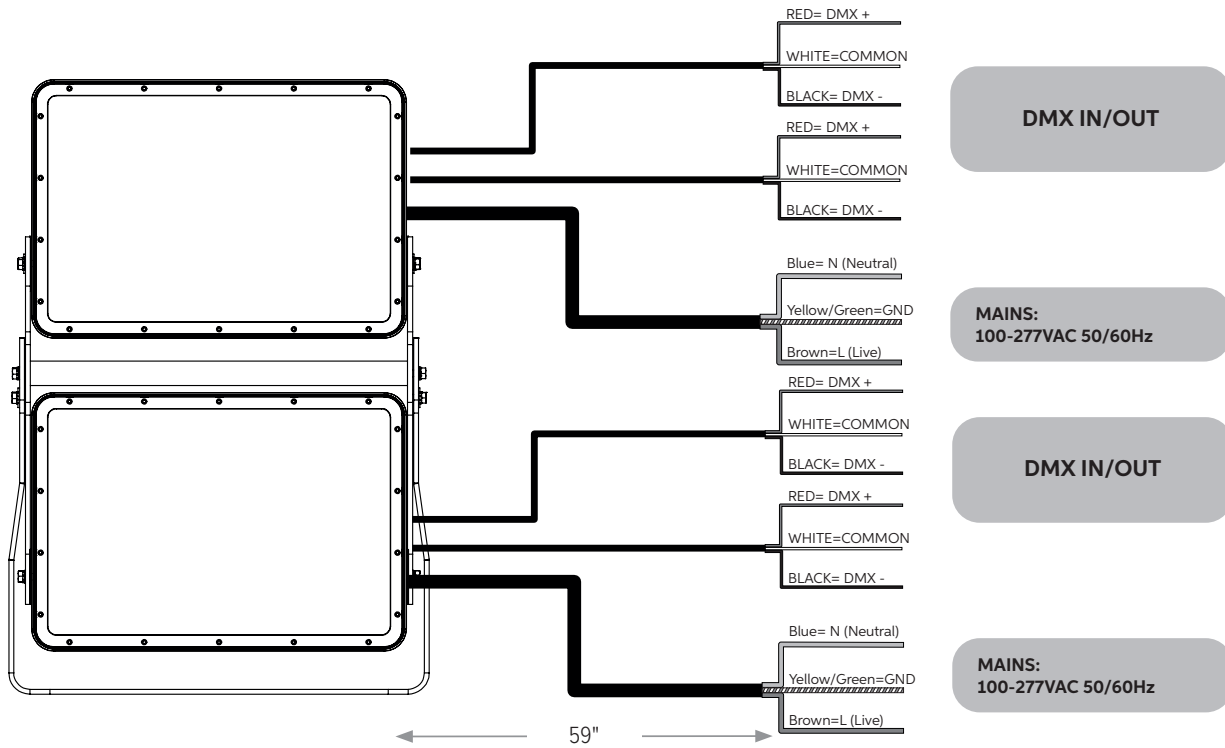
ORDERING INFORMATION

PAINTED ACCESSORIES					
MODEL		FINISH (*-XX)		OPTION	
CP300-SNOOT	Snoot	AG	Anthracite Grey	AST	Anti-Saline Treatment
CP300-VISOR	Visor	BL	Black		
CP300-WIREGUARD	Wire Guard	SG	Griven Silver Grey		
		WH	White		
		CC	Custom RAL Color		

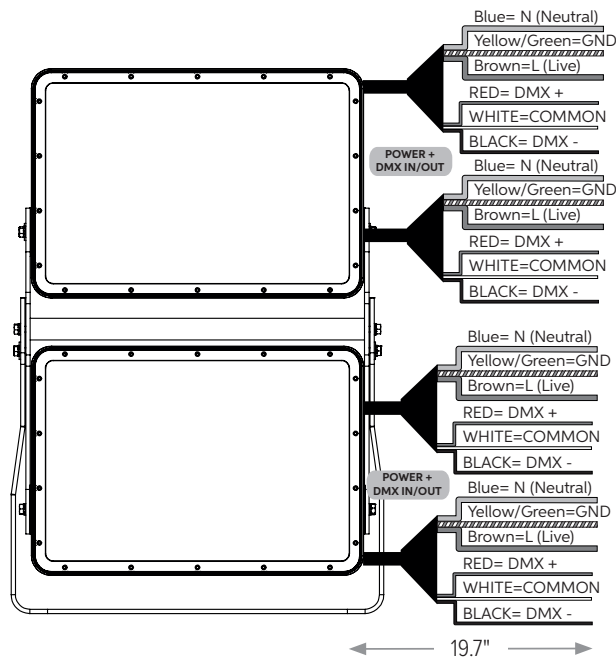
Accessories shown are sold individually for single luminaire heads. Two units must be ordered if dual head application is required.

CONNECTIONS

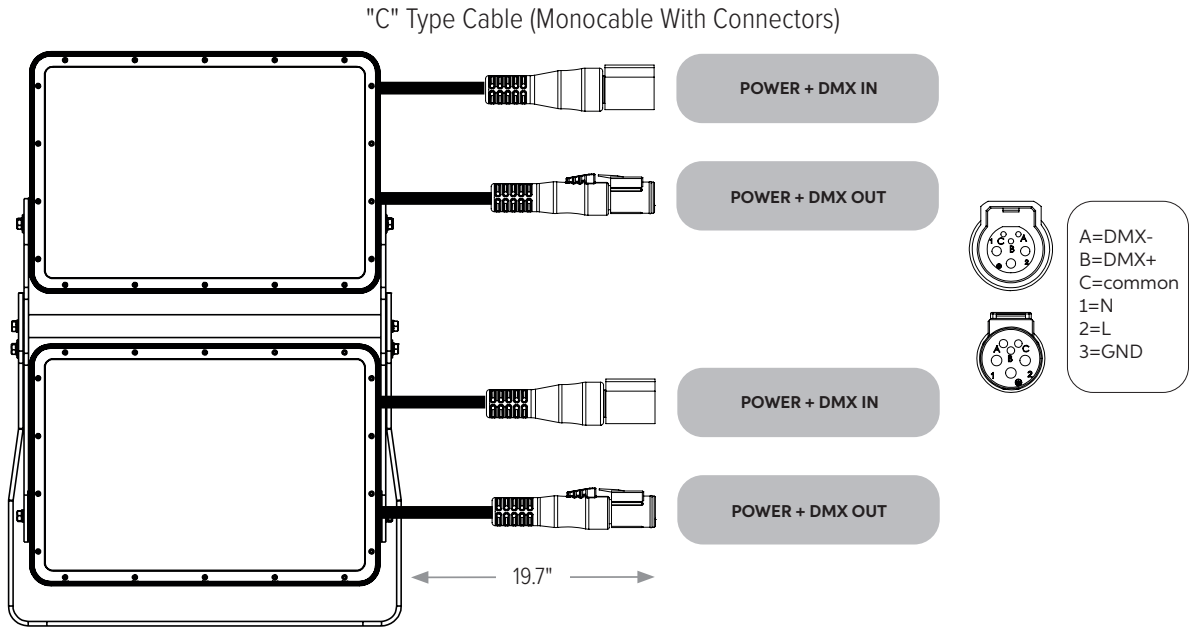
"S" Type Cable (Power In, DMX In, DMX Out)



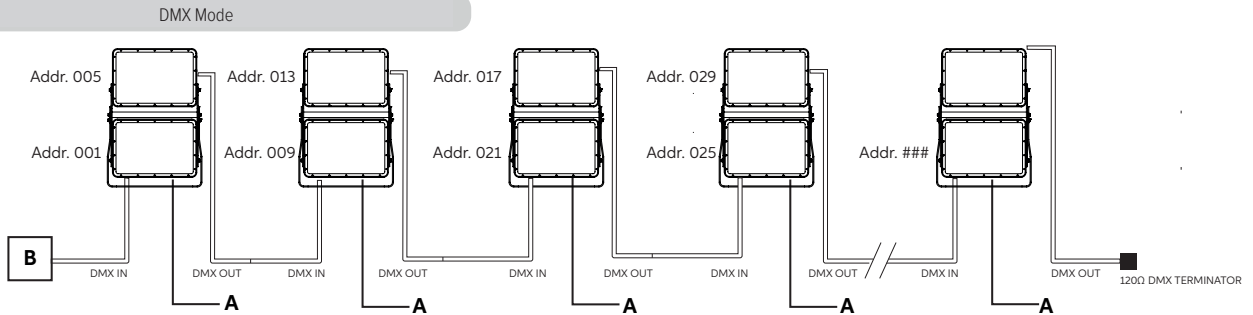
"M" Type Cable (Monocable Without Connectors)



CONNECTIONS



OPERATING MODES



Example with fixtures set to 4 DMX channels

