

CAPITAL 600 US

Static White



DESCRIPTION

CAPITAL 600 US accentuates the designer's palette with an ultra-narrow 3.2° beam using 120 high-power LEDs fitted with precision optics. Grazing of vertical columnar features or illumination of objects at distance both benefit from the high-performance of this luminaire.



Date: _____ Type: _____ Catalog Number: _____

Project Name: _____

ORDERING INFORMATION

LUMINAIRE								
MODEL	CCT	CONTROL	CABLE	VOLTAGE	UPPER OPTIC *	LOWER OPTIC *	FINISH	OPTION
CP600US Capital 600 Ultra-Spot	27K 2700K	DMX-RDM DMX/RDM	S Power in (7.9 in.), DMX in, DMX out (59 in.)	UNV 120 - 277V	US Ultra-Spot 3.2°	US Ultra-Spot 3.2°	AG Anthracite Grey	AST Anti-Saline Treatment
CP600USPE Capital 600 Ultra-Spot Polar Edition	30K 3000K		M Monocable Without Connectors (19.7 in.)				BL Black	3G 3G Mounting Yoke
	40K 4000K		C Monocable With Connectors (19.7 in.)				SG Griven Silver Grey	
							WH White	
							CC Custom RAL Color	

*Consult factory for availability of other optical options.

See Page 5 for ordering information of available accessories.

		CAPITAL 600 US
PHYSICAL	HOUSING	Die-Cast Aluminum
	OVERALL DIMENSIONS	20.4" L x 5.9" W x 29.8" H
	WEIGHT	72.3 Pounds
	OPERATING TEMPERATURE	-40°C to 50°C (-40°F to 122°F)

ELECTRICAL	POWER	312 Watts (156 Watts per Luminaire)		
	CURRENT	2.6 Amps at 120 Volts (312 Watts) 1.13 Amps at 277 Volts (312 Watts)		
	CONTROL	DMX-RDM, Standalone, Master-Satellite Operation		
	CABLE	S Cable	M Cable	C Cable
		Power In, DMX In, DMX Out Cables	6-Polarity In and Out Power/Data Monocable Without Connectors	6-Polarity In and Out Power/Data Monocable With Connectors
	CABLE LENGTH	59"	19.7"	19.7"
MODES	- Intensity (1 Channel) - Stand-Alone Dimmer			

PHOTOMETRIC	LED	Static White (2700K, 3000K, or 4000K)		
	NUMBER OF LEDS	120 High-Power LEDs		
	DRIVER LOCATION	Integral		
	DELIVERED LUMEN OUTPUT	up to 19,858 lumens (9929 lumens per luminaire)		
	EFFICACY	up to 64 lumens per watt		
	LUMEN MAINTENANCE	L70 > 100,000 Hours at 77°F*		
	LIGHT CONTROL ACCESSORIES	Snoot, Visor Available		

LIGHT DISTRIBUTIONS	DISTRIBUTION	BEAM ANGLE	2700K & 3000K		4000K	
			LUMENS	EFFICACY	LUMENS	EFFICACY
	Ultra-Spot	3.2°	9220	59	9929	64
NOTE: Lumen values shown are for single luminaire head. Multiply by 2 to obtain values for dual luminaire heads.						

CERTIFICATIONS	SAFETY	ETL Certified for Wet Locations				
	INGRESS PROTECTION	IP67				
	IMPACT RATING	IK09				
	WARRANTY	Limited Five Year Warranty				

* LED life may vary under actual field conditions due to external factors. Lifetime estimates are generated from actual testing in a controlled environment. Values are conservatively derived from those numbers.

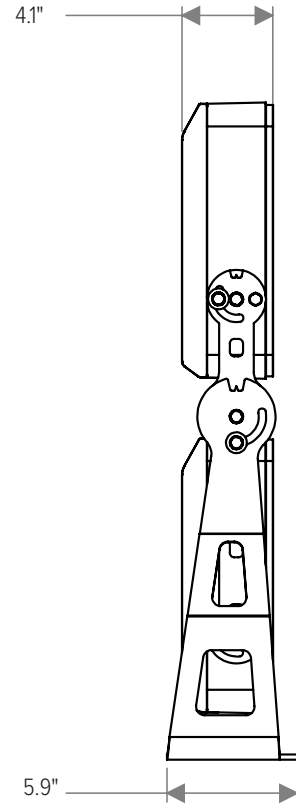
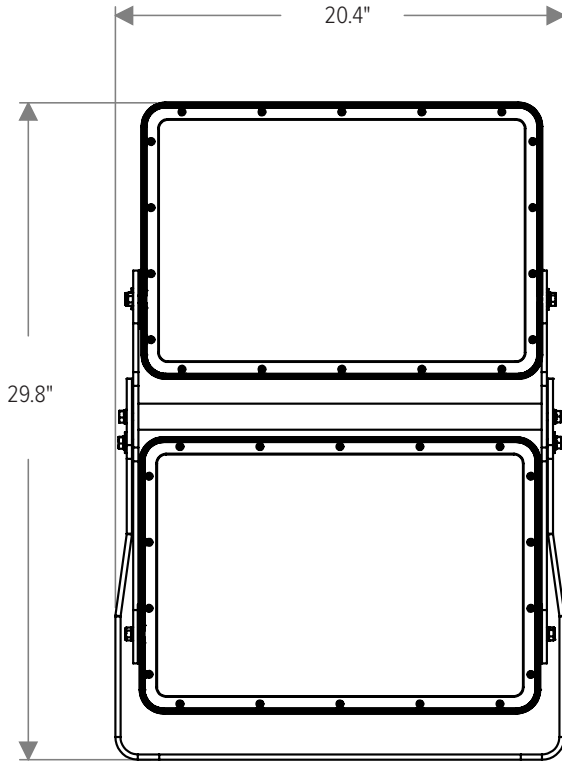
CAPITAL 600 US

Static White

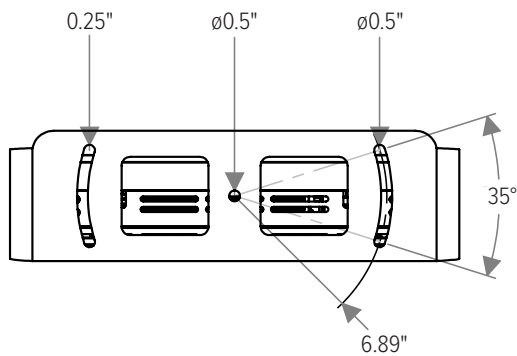


DIMENSIONS

All dimensions are shown in inches unless otherwise noted.



MOUNTING

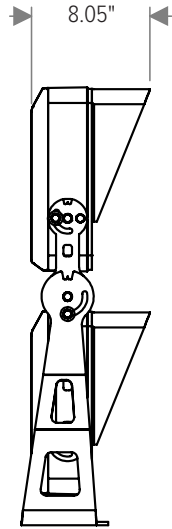


CAPITAL 600 US

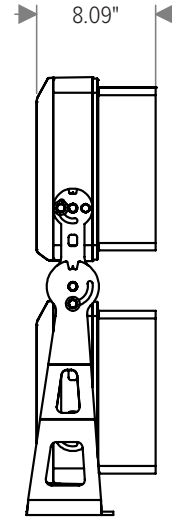
Static White



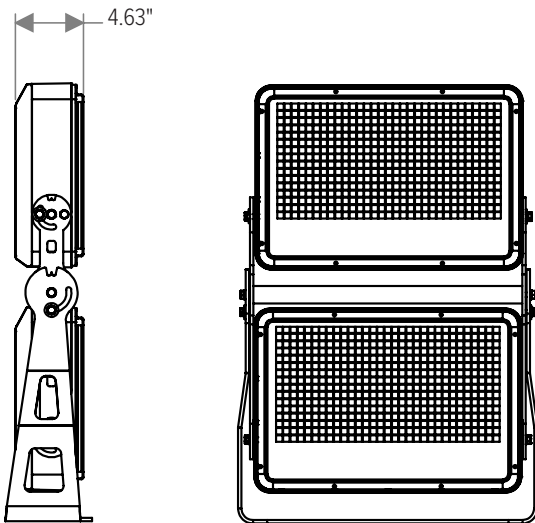
ACCESSORY DIMENSIONS



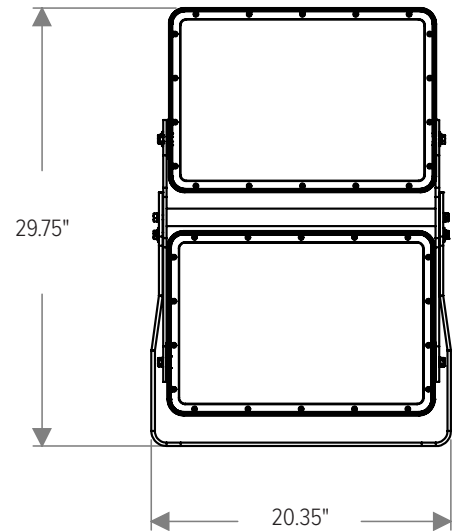
With Visor (CP300-VISOR-XX)



With Snoot (CP300-SNOOT-XX)



With Wire Guard (CP300-WIREGUARD-XX)



With 3G Mounting Yoke
(Factory Installed, Ordered with Luminaire)

ACCESSORIES

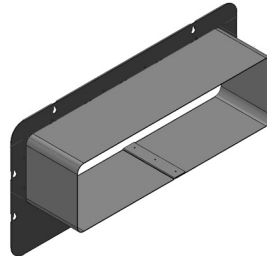
NOTE: Accessories are ordered and shipped separately from luminaire for field installation.

Accessories shown are sold individually for single luminaire heads. Two units must be ordered if dual head application is required.

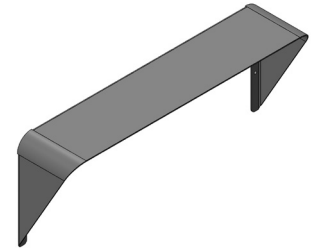
-XX* indicates a painted accessory. See bottom of page for painted accessory ordering information.



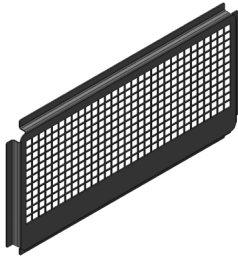
IR-CONFIG-REMOTE
Infrared Configuration Remote



CP300-SNOOT-XX*
Snoot



CP300-VISOR-XX*
Visor



CP300-WIREGUARD-XX*
Wire Guard

ORDERING INFORMATION

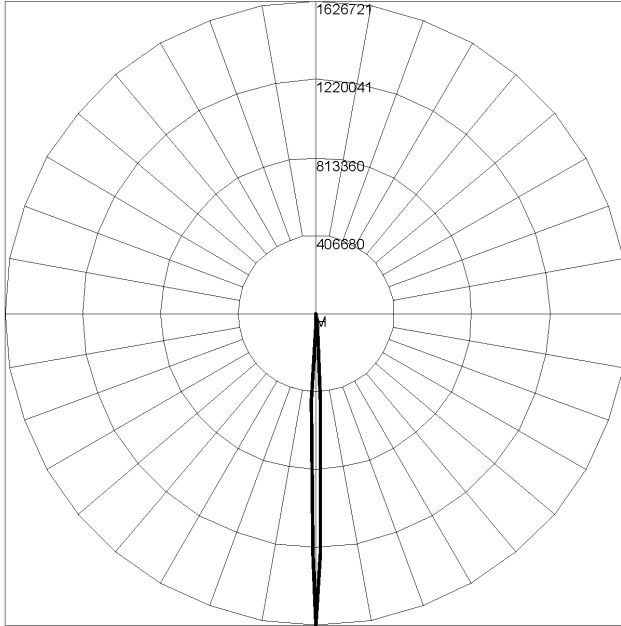
PAINTED ACCESSORIES					
MODEL		FINISH (*-XX)		OPTION	
CP300-SNOOT	Snoot	AG	Anthracite Grey	AST	Anti-Saline Treatment
CP300-VISOR	Visor	BL	Black		
CP300-WIREGUARD	Wire Guard	SG	Griven Silver Grey		
		WH	White		
		CC	Custom RAL Color		

Accessories shown are sold individually for single luminaire heads. Two units must be ordered if dual head application is required.

PHOTOMETRICS - STATIC WHITE CANDELA DISTRIBUTION 

ULTRA SPOT 3.2°- 2700K & 3000K

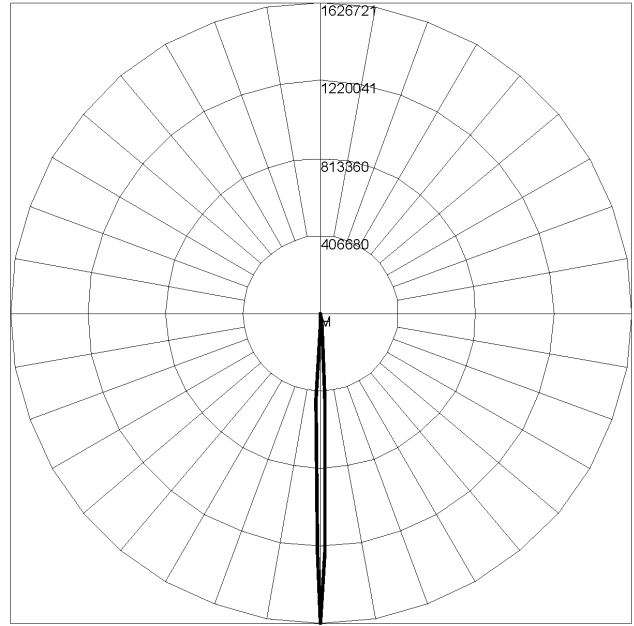
Maximum Candela = 1626721 / 9220 Lumens per Luminaire



Maximum Candela = 1626720.68 Located At Horizontal Angle = 0, Vertical Angle = 0
H - Horizontal Axial Candela
V - Vertical Axial Candela

ULTRA SPOT 3.2°- 4000K

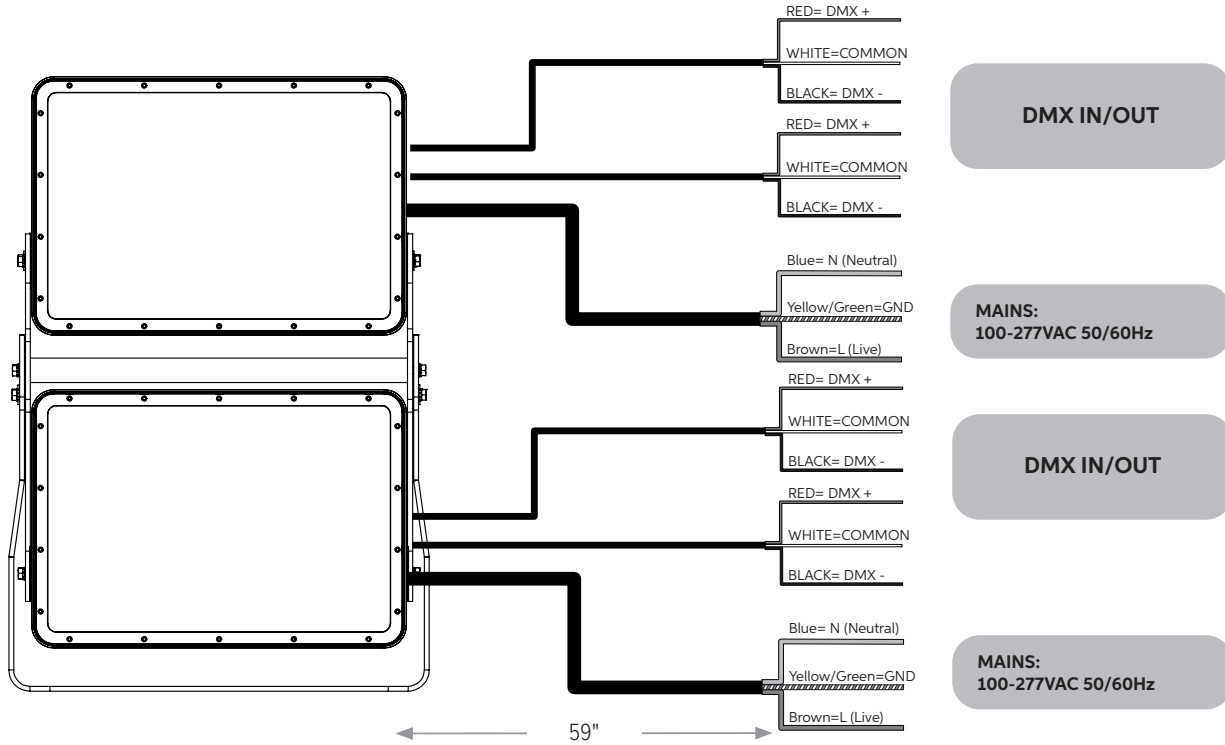
Maximum Candela = 1626721 / 9929 Lumens per Luminaire



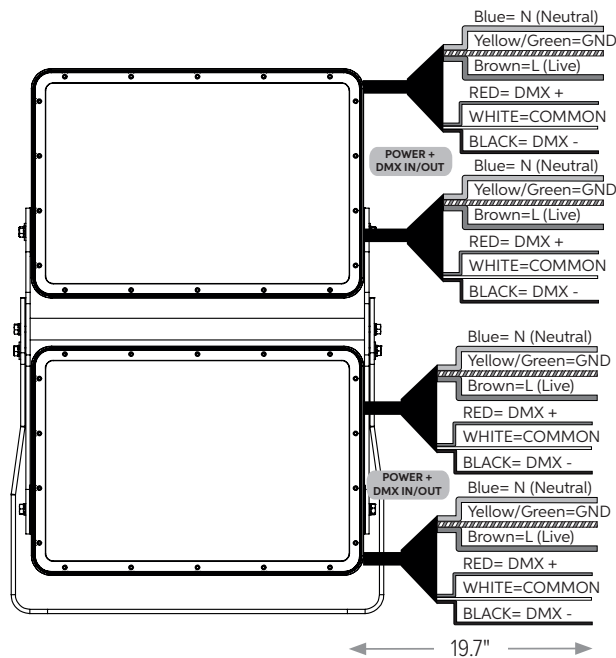
Maximum Candela = 1626720.68 Located At Horizontal Angle = 0, Vertical Angle = 0
H - Horizontal Axial Candela
V - Vertical Axial Candela

CONNECTIONS

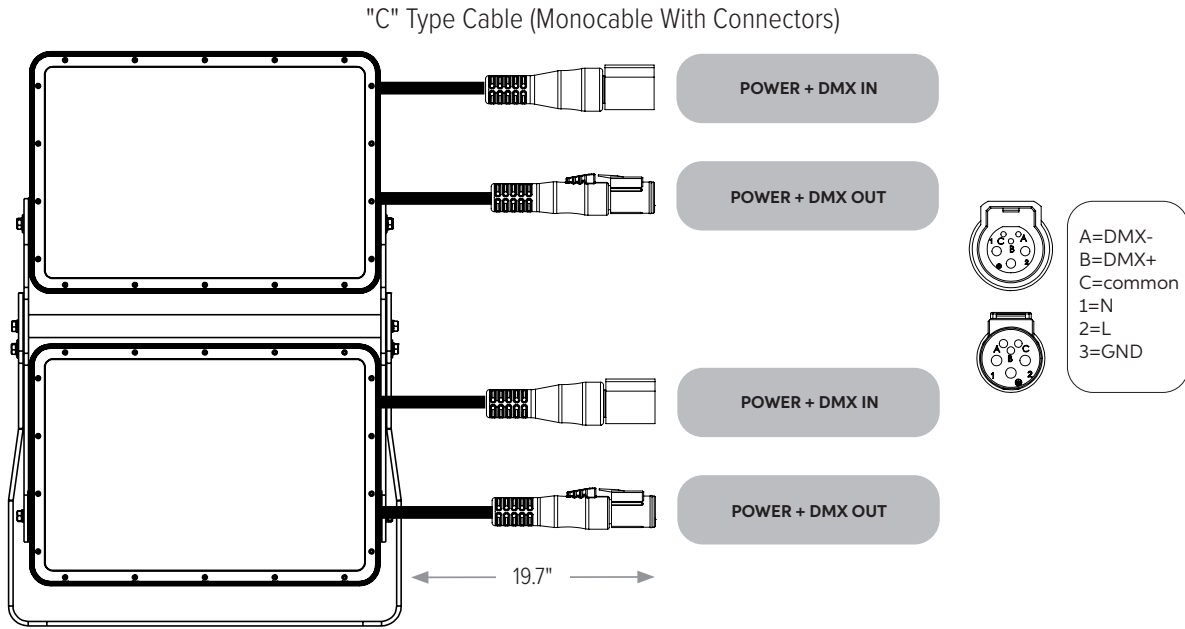
"S" Type Cable (Power In, DMX In, DMX Out)



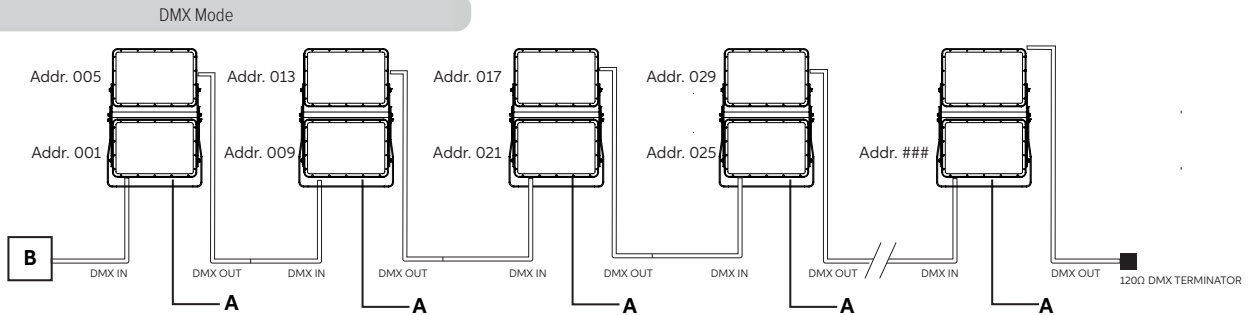
"M" Type Cable (Monocable Without Connectors)



CONNECTIONS



OPERATING MODES



Example with fixtures set to 4 DMX channels

