

## DESCRIPTION

The DUNE MC MK3 is a high-performance IP68-rated LED up-lighter designed for outdoor recessed applications. This versatile fixture boasts a clever beam angle adjustment feature, making it perfect for spot lighting, wall grazing, and wall washing effects. A range of color temperatures from 3000K to 6500K Dynamic White and RGBW30K or 40K are available with smooth and even light distribution. Crafted from AISI 316L stainless steel, the fixture can handle a deadweight load of over 4000 pounds, making it suitable for in-ground installations, including vehicular areas.



Date: \_\_\_\_\_ Type: \_\_\_\_\_ Catalog Number: \_\_\_\_\_

Project Name: \_\_\_\_\_

## ORDERING INFORMATION

LUMINAIRE				
MODEL	CCT	CONTROL	VOLTAGE	OPTIC
<b>DUNEMC-R</b> Dune MC MK3	<b>RGBW30K</b> RGBW 3000K White	<b>DMX-RDM</b> DMX/RDM	<b>100-240</b> 100-240v	<b>SP</b> Spot 8°
<b>DUNEMC-R-PE</b> Dune MC MK3 Polar Edition	<b>RGBW40K</b> RGBW 4000K White			<b>NB</b> Narrow 10°
	<b>DW</b> Dynamic White (3000K to 6500K)			<b>MB</b> Medium 24°
				<b>WB</b> Wide 37°

Consult factory for availability of custom options.  
Factory assistance is available via phone at (864) 487-3535 ext. 258 or via email at DesignServices@EXP-Brands.com.

### MOUNTING (Required, Ordered Separately)

**DUNE-RRB**  
Dune MC MK3 Recessed Rough-in Box

### CONTROL ACCESSORIES (One required for DMX/RDM addressing unless another RDM compatible control is used.)

**IR-CONFIG-REMOTE**  
Infrared Configuration Remote: One IR-CONFIG-REMOTE is required for DMX Programming unless another RDM compatible controller is used.

		DUNE MC MK3
PHYSICAL	HOUSING	Stainless Steel
	LENS	Tempered Glass
	LOAD BEARING CAPACITY	4409 Pounds
	IN-GROUND RATING	Drive-Over Rated for up to 12.4 Miles-per-Hour
	DRIVER LOCATION	Integral
	DIMENSIONS	9½" L x ø 12"
	WEIGHT	17.6 Pounds
	OPERATING TEMPERATURE	-40°F to 122°F (-40°C to 50°C)

ELECTRICAL	POWER	40 Watts
	CURRENT	0.4 amps at 100 volts 0.17 amps at 240 volts
	CONTROL	DMX/RDM
	CABLE	DMX Cable
	CABLE LENGTH	39.3"

PHOTOMETRIC	LED	RGBW 3000K	RGBW 4000K	Dynamic White (3000K-6500K)
	DELIVERED LUMEN OUTPUT	up to 1522 lumens	up to 1730 lumens	up to 2941 lumens
	EFFICACY	up to 38 lumens per watt	up to 43 lumens per watt	up to 74 lumens per watt
	BEAM ANGLE ADJUSTMENT	+/- 9° Tilt		

LIGHT DISTRIBUTIONS	DISTRIBUTION	BEAM ANGLE	LUMENS	EFFICACY	MAX. CANDELA
	RGBW 3000K				
	Spot	8°	1522	38	61926
	Narrow	10°	1482	37	33391
	Medium	24°	1416	35	7658
	Wide	37°	1369	34	3629
RGBW 4000K					
	Spot	8°	1730	43	70389
	Narrow	10°	1684	42	37942
	Medium	24°	1609	40	8702
	Wide	37°	1555	39	4122
DYNAMIC WHITE					
	Spot	8°	2941	74	119660
	Narrow	10°	2863	72	64506
	Medium	24°	2736	68	14797
	Wide	37°	2653	66	7032

Values based on full output.

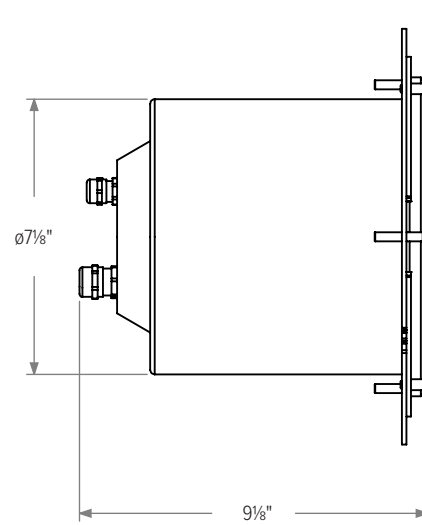
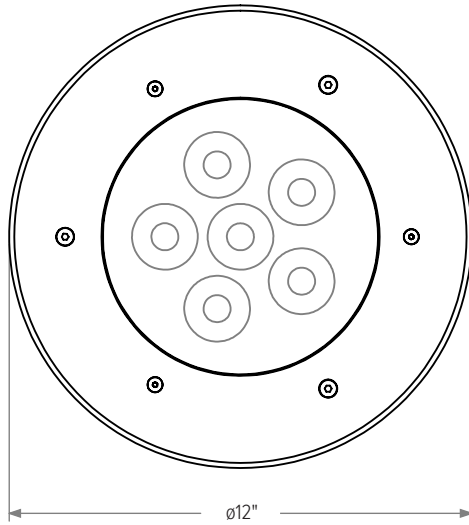
CERTIFICATIONS	SAFETY	ETL Certification Pending
	INGRESS PROTECTION	IP68
	IMPACT RATING	IK10
	WARRANTY	Five Year Limited Warranty

\* LED life may vary under actual field conditions due to external factors. Lifetime estimates are generated from actual testing in a controlled environment. Values are conservatively derived from those numbers.

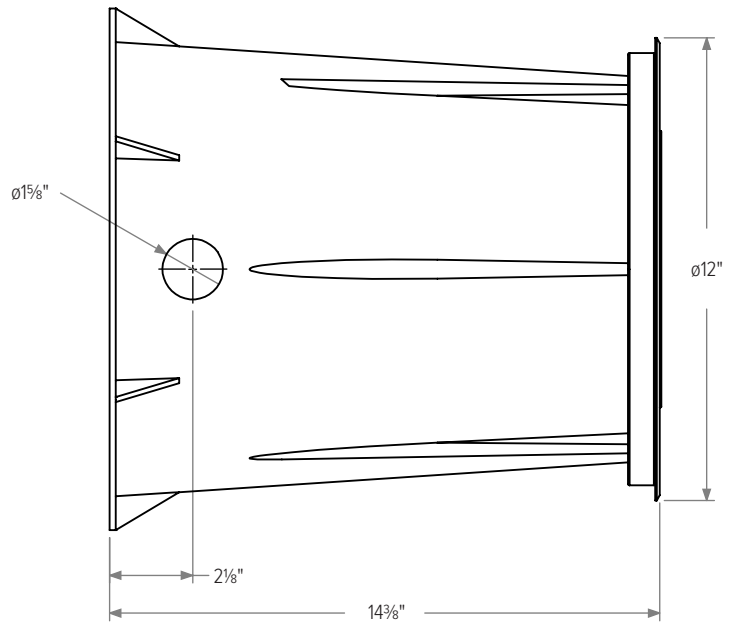
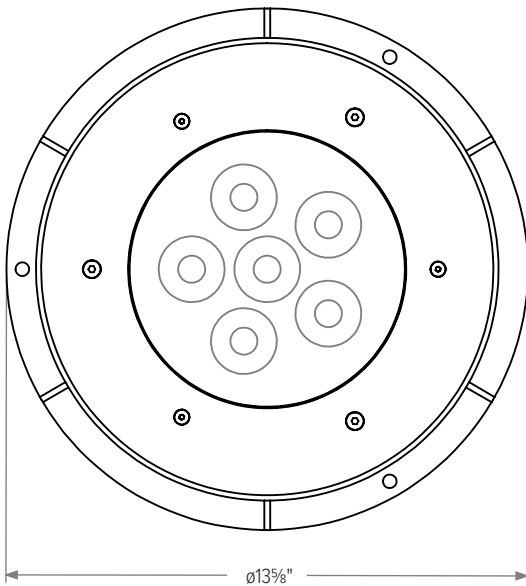
DIMENSIONS

All dimensions are shown in inches unless otherwise noted.

DUNE MC MK3



DUNE MC MK3 WITH RECESSED ROUGH-IN BOX



PHOTOMETRICS

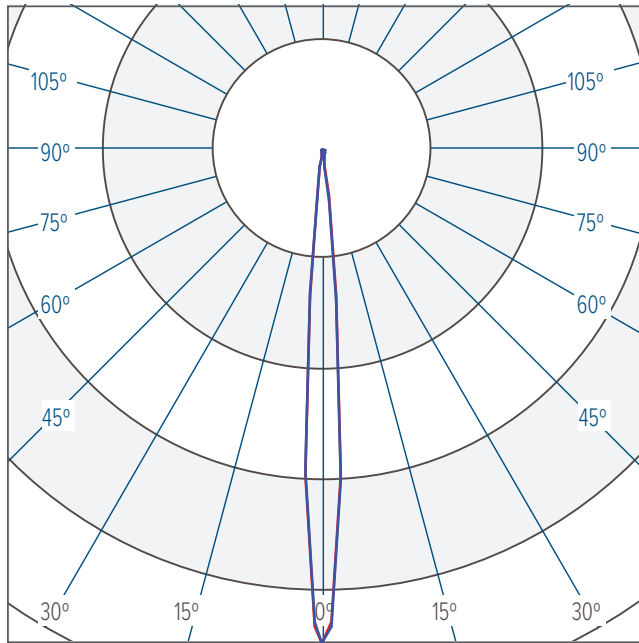
NOTE: Values shown below reflect Dynamic White CCT.

For RGBW 3000K, apply a 0.52 prorate factor. For RGBW 4000K, apply a 0.59 prorate factor.

**SPOT 8°**

CBCP 119660 / 2941 lumens

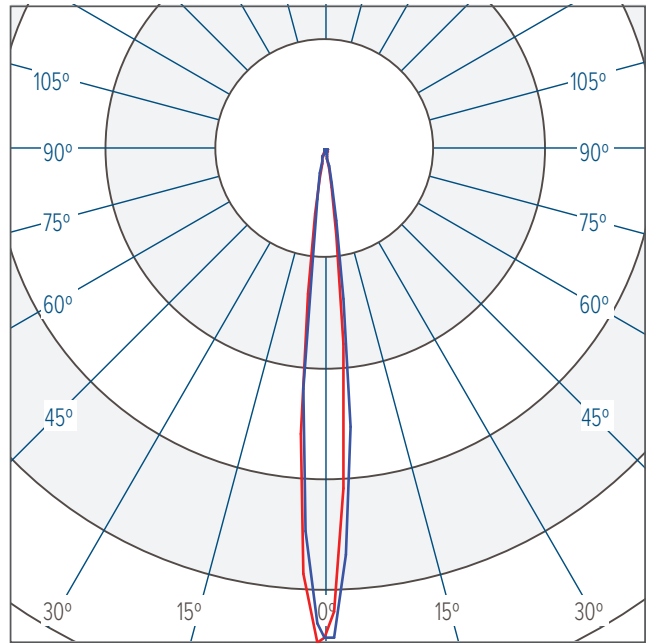
Horizontal  
Vertical



**NARROW 10°**

CBCP 64506 / 2863 lumens

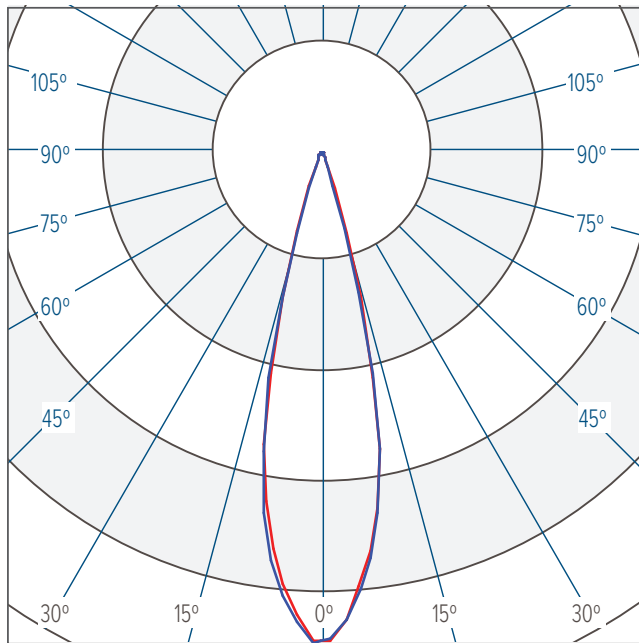
Horizontal  
Vertical



**MEDIUM 25°**

CBCP 14797 / 2736 lumens

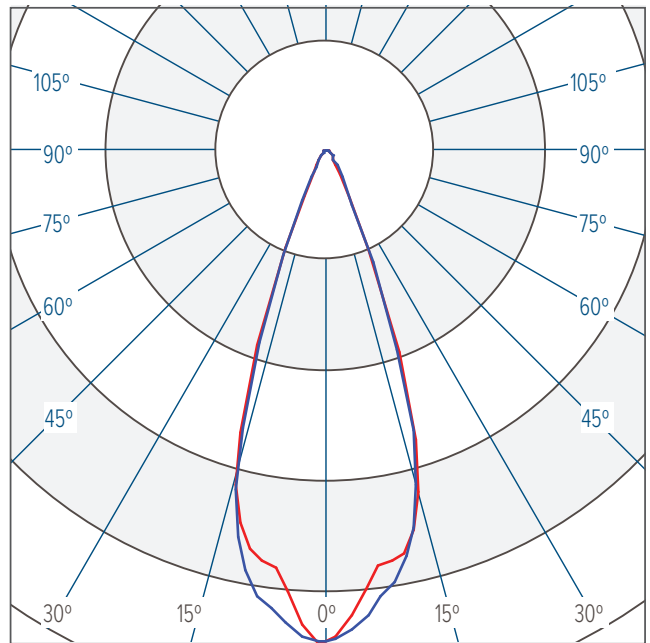
Horizontal  
Vertical



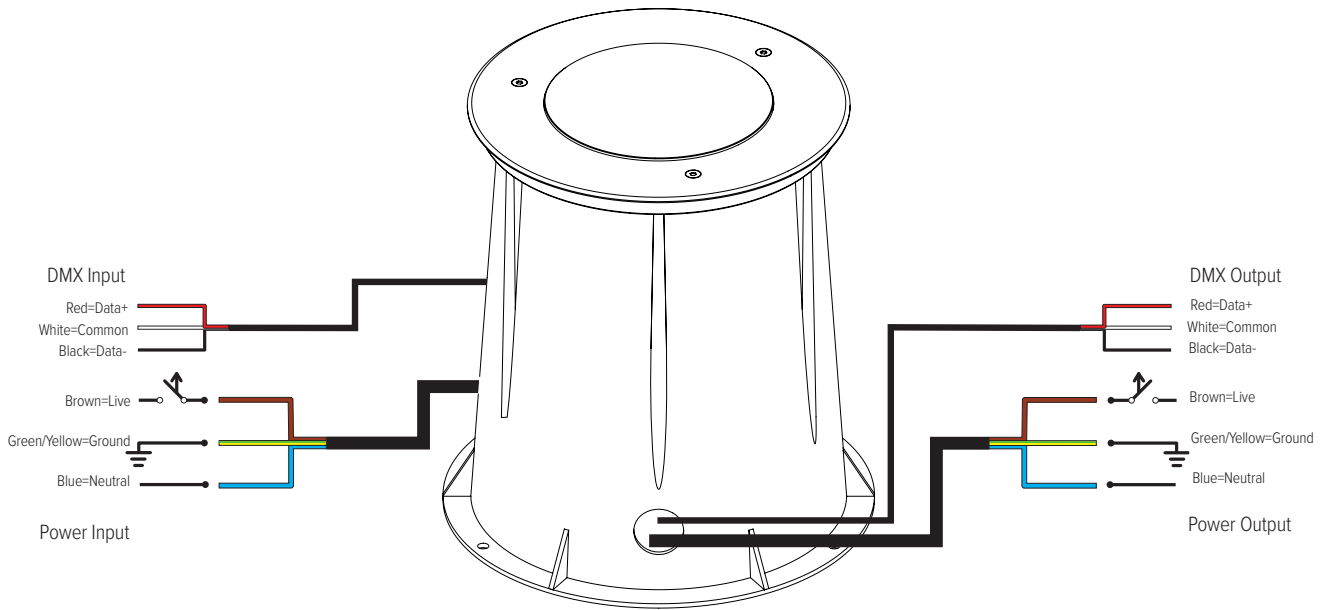
**WIDE 37°**

CBCP 7032 / 2653 lumens

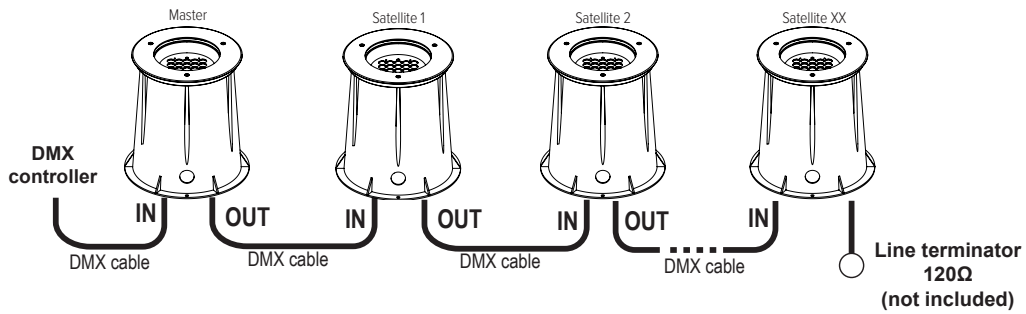
Horizontal  
Vertical



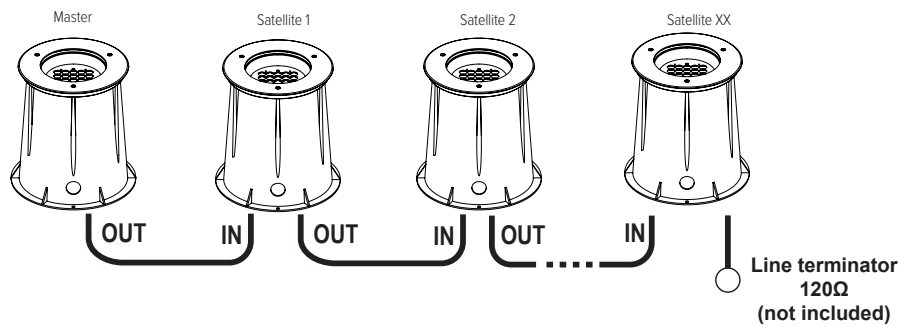
CONNECTION



DMX Mode



Master-Satellite Automatic Mode



RGBW DMX MODES			
MODE	CHANNEL	FUNCTION	VALUE
#4	1	0-100% Red	0-255
	2	0-100% Green	0-255
	3	0-100% Blue	0-255
	4	0-100% White	0-255
#5	1	0-100% Red	0-255
	2	0-100% Green	0-255
	3	0-100% Blue	0-255
	4	0-100% White	0-255
	5	100% Dimmer	0-015
		100%-0% Dimmer	016-150
		0% Dimmer	151-160
		0-100% Strobe	161-255
#6	1	0-100% Red	0-255
	2	0-100% Green	0-255
	3	0-100% Blue	0-255
	4	0-100% White	0-255
	5	0% Dimmer	0-5
		100%-0% Dimmer	6-250
		100% Dimmer	251-255
	6	No Strobe	0-5
		0-100% Strobe	6-250
		100% Strobe	251-255

DYNAMIC WHITE DMX MODES			
MODE	CHANNEL	FUNCTION	VALUE
#2	1	Warm White 100% / Cold White 0%	0-003
		Warm White 100% / Cold White 0%-100%	004-122
		Warm White 100% / Cold White 100%	123-132
		Warm White 100%-0% / Cold White 100%	133-251
		Warm White 0% / Cold White 100%	252-255
	2	100% Dimmer	0-015
		100%-0% Dimmer	016-150
		0% Dimmer	151-160
		0-100% Strobe	161-255
	#3	1	0%-100% Warm White
2		0%-100% Cold White	0-255
3		100% Dimmer	0-015
		100%-0% Dimmer	016-150
		0% Dimmer	151-160
		0-100% Strobe	161-255

Note: In the absence of DMX signal, LEDs will remain on.