

DESCRIPTION

The DUNE MK3 is a high-performance IP68-rated LED up-lighter designed for outdoor recessed applications. This versatile fixture boasts a clever beam angle adjustment feature, making it perfect for spot lighting, wall grazing, and wall washing effects. A range of color temperatures spanning RGBW30K or 40K, tunable white, or static white are available with smooth and even light distribution. Crafted from AISI 316L stainless steel, the fixture can handle a deadweight load of over 4000 pounds, making it suitable for in-ground installations, including vehicular areas.



Date: _____ Type: _____ Catalog Number: _____

Project Name: _____

ORDERING INFORMATION

LUMINAIRE					
MODEL	CCT	CONTROL	VOLTAGE	OPTIC	OPTION
DUNE-R Dune MK3	RGBW30K RGBW 3000K White	DMX-RDM DMX/RDM	100-240 100-240v	SP Spot 7°	LVR Internal Honeycomb Louver
DUNE-R-PE Dune MK3 Polar Edition	RGBW40K RGBW 4000K White			NB Narrow 12°	
				MB Medium 21°	
				WB Wide 43°	
				EW Extra-Wide 66°	
				ELH Elliptical 40° x 11°	
				ELWH Elliptical Wide 40° x 20°	

Consult factory for availability of custom options.
Factory assistance is available via phone at (864) 487-3535 ext. 258 or via email at DesignServices@EXP-Brands.com.

MOUNTING (Required, Ordered Separately)

DUNE-RRB
Dune MC MK3 Recessed Rough-in Box

CONTROL ACCESSORIES (One required for DMX/RDM addressing unless another RDM compatible control is used.)

IR-CONFIG-REMOTE
Infrared Configuration Remote: One IR-CONFIG-REMOTE is required for DMX Programming unless another RDM compatible controller is used.

		DUNE MK3 RGBW
PHYSICAL	HOUSING	Stainless Steel
	LENS	Tempered Glass
	LOAD BEARING CAPACITY	4409 Pounds
	IN-GROUND RATING	Drive-Over Rated for up to 12.4 Miles-per-Hour
	DRIVER LOCATION	Integral
	DIMENSIONS	14.38" L x ø 12"
	WEIGHT	17.4 Pounds
	OPERATING TEMPERATURE	-40°F to 122°F (-40°C to 50°C)

ELECTRICAL	POWER	27 Watts
	CURRENT	0.27 amps at 120 volts 0.11 amps at 277 volts
	CONTROL	DMX/RDM
	CABLE	DMX Cable
	CABLE LENGTH	39.3"

PHOTOMETRIC	LED	RGBW 3000K or 4000K
	DELIVERED LUMEN OUTPUT	Pending Final Photometry
	EFFICACY	Pending Final Photometry
	BEAM ANGLE ADJUSTMENT	+/- 9° Tilt

LIGHT DISTRIBUTIONS	DISTRIBUTION	BEAM ANGLE
	Spot	7°
	Narrow	12°
	Medium	21°
	Wide	43°
	Extra-Wide	66°
	Elliptical	40° x 11°
	Elliptical Wide	40° x 20°

Values based on full output.

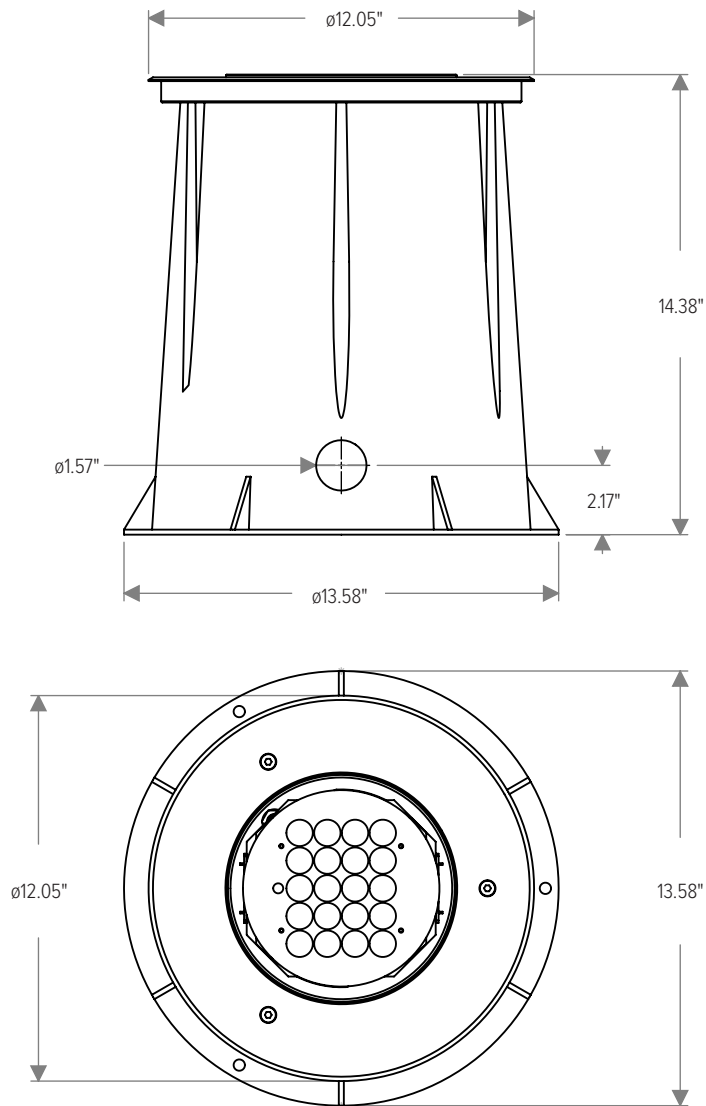
CERTIFICATIONS	SAFETY	ETL Certification Pending
	INGRESS PROTECTION	IP68
	IMPACT RATING	IK10
	WARRANTY	Five Year Limited Warranty

* LED life may vary under actual field conditions due to external factors. Lifetime estimates are generated from actual testing in a controlled environment. Values are conservatively derived from those numbers.

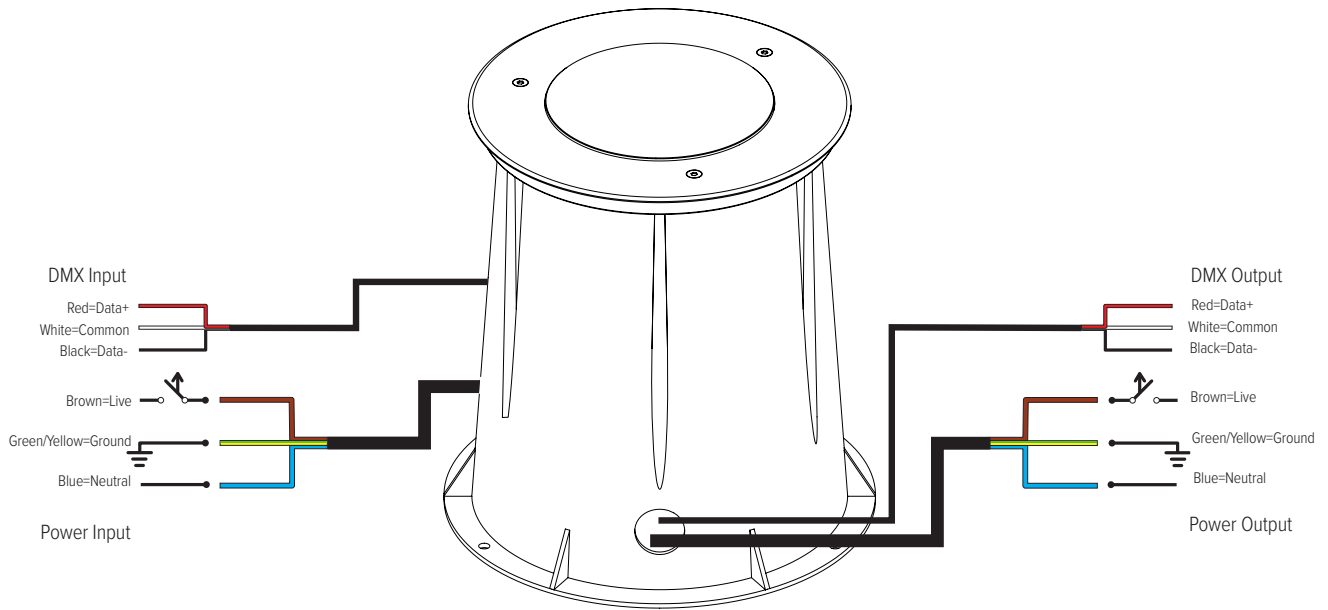
DIMENSIONS

All dimensions are shown in inches unless otherwise noted.

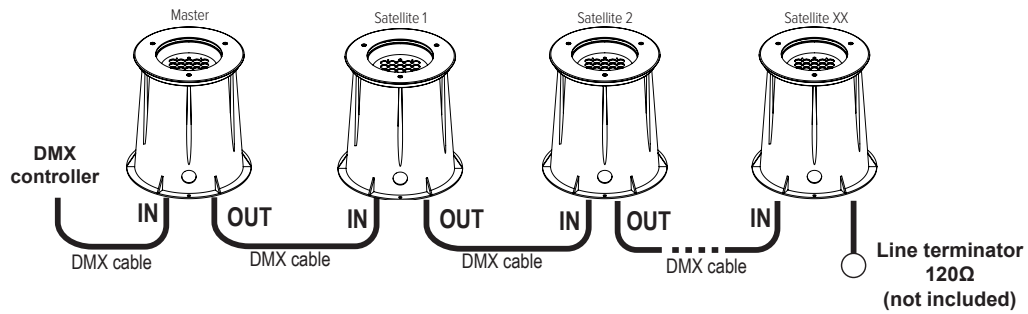
DUNE MC MK3 WITH RECESSED ROUGH-IN BOX



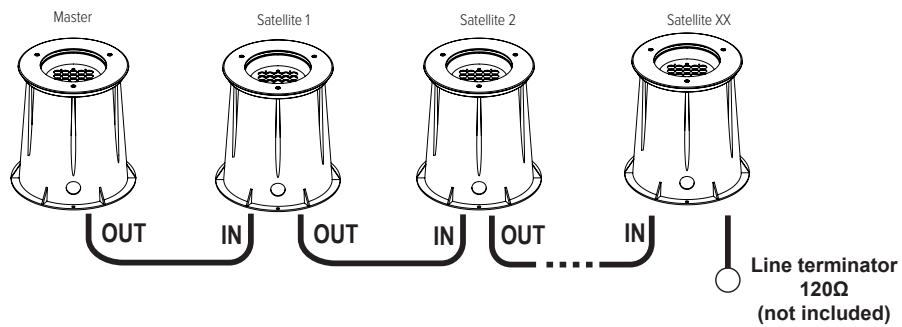
CONNECTION



DMX Mode



Master-Satellite Automatic Mode



RGBW DMX MODES			
MODE	CHANNEL	FUNCTION	VALUE
#4	1	0-100% Red	0-255
	2	0-100% Green	0-255
	3	0-100% Blue	0-255
	4	0-100% White	0-255
#5	1	0-100% Red	0-255
	2	0-100% Green	0-255
	3	0-100% Blue	0-255
	4	0-100% White	0-255
	5	100% Dimmer	0-015
		100%-0% Dimmer	016-150
		0% Dimmer	151-160
		0-100% Strobe	161-255
#6	1	0-100% Red	0-255
	2	0-100% Green	0-255
	3	0-100% Blue	0-255
	4	0-100% White	0-255
	5	0% Dimmer	0-5
		100%-0% Dimmer	6-250
		100% Dimmer	251-255
	6	No Strobe	0-5
		0-100% Strobe	6-250
		100% Strobe	251-255

Note: In the absence of DMX signal, LEDs will remain on.