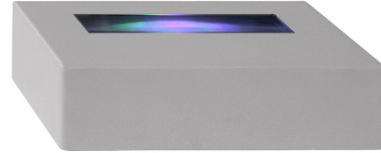


## DESCRIPTION

EKLIPSE adds form and depth to buildings of all architectural styles through the illumination of inner frames of fenestration or similar elements. The compact LED “effects” luminaire features four high power LEDs in RGBW, dynamic white, or static colors combined with specialized optics to produce an ultra-narrow 160° elliptical distribution with little spill. RGBW and dynamic white models feature DMX control capability to bring repeating architectural elements to life through patterns or color-changing scenes for visual interest. The LEDs may be dimmed continuously from 0 to 100%. EKLIPSE is IP66 rated and suitable for indoor or outdoor applications. All hardware is stainless steel.



Date: \_\_\_\_\_ Type: \_\_\_\_\_ Catalog Number: \_\_\_\_\_

Project Name: \_\_\_\_\_

## ORDERING INFORMATION



LUMINAIRE					
MODEL	COLOR	VOLTAGE	OPTIC	FINISH §	CONTROL
ELK17 -	RGBW - 6500K	UNV - 120 - 277V	ELH - Elliptical Horizontal 12° x 127°	AG - Anthracite Gray	RDM Remote Device MGMT
	DW - 2700-6500K		ELV - Elliptical Vertical 12° x 127°	BLK - Black	AD Auto Addressing
	30K - 3000K			SG - Griven Silver Gray	
	CCW - Custom White			WH - White	
	CCM - Custom Monochrome			CC - Custom Color	

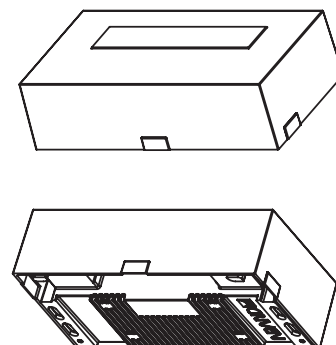
§ Contact factory for marine grade finish

IP66 / IK07 / CE /  US



## PRODUCT SPECIFICATIONS (per luminaire except as noted)

<b>Lumen Output</b>	472 lumens @ 12° x 127° CW (see pg 4 for output values of all standard colors)
<b>Efficacy</b>	47 (lm/W) CW
<b>Lumen Maintenance</b>	100,000 hours L70 @ 25°C*
<b>Color</b>	RGBW (6500K white), DW (2700-6500K), CW (6300K), WW (3000K) (see pg 5 for customization options)
<b>Operating Temperature</b>	-40°F to 122°F (-40°C to 50°C)
<b>Housing</b>	Aluminum
<b>Mounting</b>	Two fastener tabs per node for surface mounting
<b>Weight</b>	LED module: 2.2 lbs (1 Kg) Electronic driver: 8.2 lbs (3.7 Kg)
<b>Certification</b>	 
<b>Ingress Protection</b>	Wet location rated IP66
<b>Impact Rating</b>	IK07
<b>Control</b>	DMX 512 RDM (E1.20) or Auto Addressing; Wireless and 0-10V interfaces available
<b>Additional Features</b>	Automatic overtemperature protection



\* LED life may vary under actual field conditions due to external factors. Lifetime estimates are generated from actual testing in a controlled environment. Griven values are conservatively derived from those numbers.

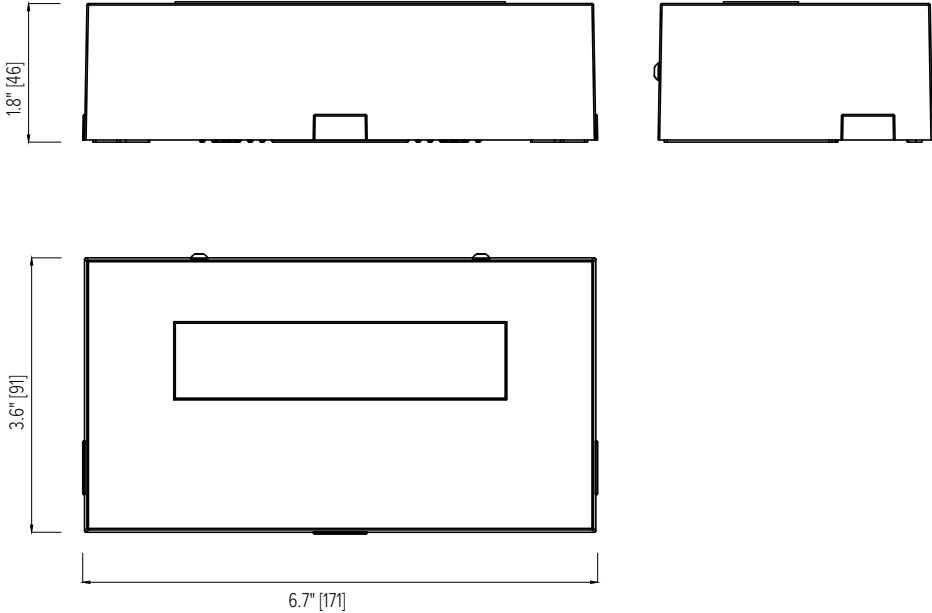
## ELECTRICAL SPECIFICATIONS

<b>Input Voltage</b>	100-277 VAC @ 50-60Hz
<b>Power Consumption</b>	10W maximum; maximum 8 per power supply
<b>Power Factor</b>	>.98 @ 115VAC, >.94 @ 277VAC (power supply)



DIMENSIONS

All dimensions are shown in inches unless otherwise noted.



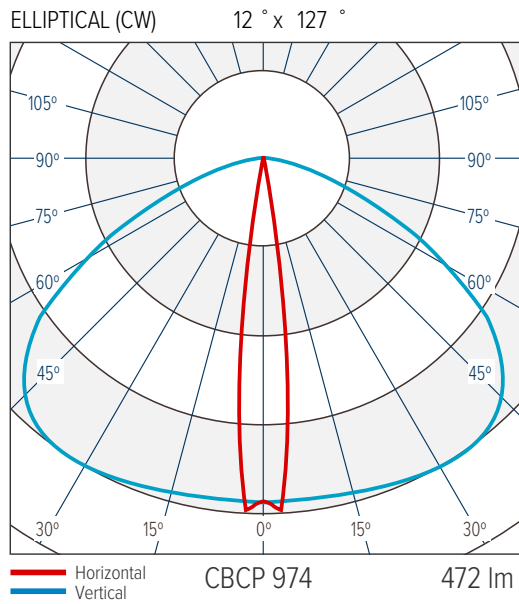
## PHOTOMETRICS

### LIGHT OUTPUT

Photometric data based on cool white LEDs. Use multiplier to determine lumen and CBCP output for RGBW, DW, or WW.

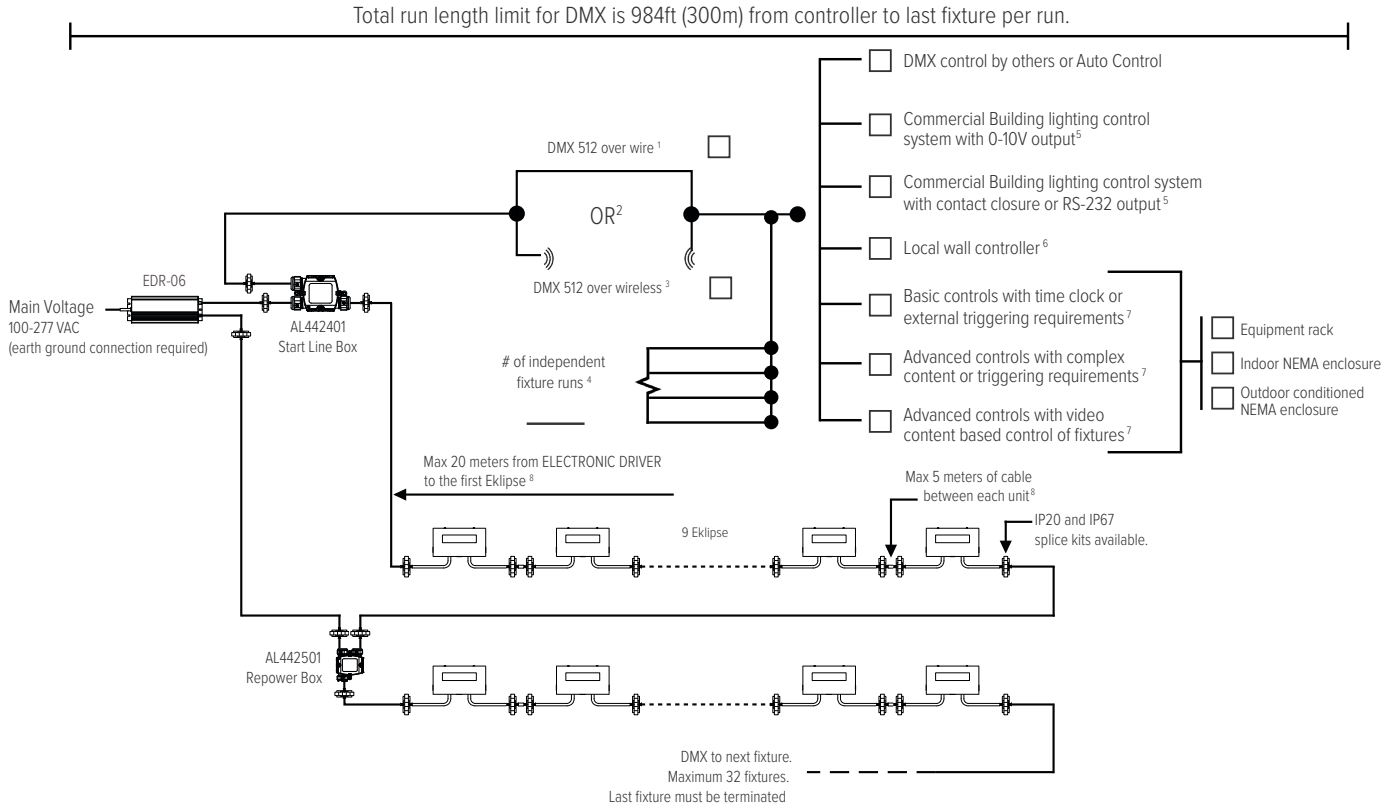
COLOR	OUTPUT MULTIPLIER
RGBW (6500K White)	.42
DW (2700-6500K)	.85
CW (6300K)	1.00
WW (3000K)	.70

### CANDELA DISTRIBUTION



## CONTROL OPTIONS

Contact manufacturer for control system development.



### Notes

1. Wire specifications are available from factory as well as approved wire for purchase.
2. Other control protocol solutions available. Contact factory for more information.
3. Wireless components are external to fixture. Distance limitations based on antennas chosen and site conditions. Contact factory for more information.
4. Based on maximum of 32 fixtures per run as well as any site constraints on conveyance of data.
5. For example: Lutron, Crestron, Encelium, Douglas, ETC by others. Griven control system will interface with building lighting control system.
6. Local wall controller for small applications. Wall controllers specified separately for larger systems.
7. Contact factory for assistance with specification. Onsite commissioning by Griven of control system is required.
8. Based on 1.5mm<sup>2</sup> cable cross section. Contact factory for assistance in developing alternate configurations.

## PRODUCT OPTIONS



**MARINE GRADE COATING**

Maximum corrosion resistance for installations near salt or brackish water.



**CUSTOM WHITE LIGHT**

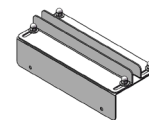
Choose the white light you need for your project. Contact Griven USA to confirm availability of a custom CCT.



**CUSTOM MONOCHROME**

Fixtures with dedicated color LEDs available. Contact Griven USA to confirm availability of a custom color.

## ACCESSORIES



Anti-Glare Shield

