

FULL MOON SURFACE

Static White



DESCRIPTION

Designed to elevate landscapes and architectural features in both residential and commercial spaces, FULL MOON is an advanced LED luminaire offering nuanced accent lighting to evoke emotions through soft lighting effects. This adaptable luminaire provides decorative and functional lighting, ideal for paths, gardens, and architectural elements in various settings. With five finish options and sleek installation, it's a versatile choice. Additional versions provide design flexibility, while various optics create diverse visual effects. The integral power supply enables easy management of multiple units.



Date: _____ Type: _____ Catalog Number: _____

Project Name: _____

ORDERING INFORMATION

LUMINAIRE								
MODEL	SWIVEL	CCT	CONTROL	CABLE	VOLTAGE	OPTIC *	FINISH	OPTION
MOONFL-SF Full Moon Surface	LH Lockable Head	27K 2700K	ON-OFF On/Off	P Power In (39.3")	120V 120v	NB Narrow 18°	AG Anthracite Grey	AST Anti-Saline Treatment
		30K 3000K				MB Medium 25°	BL Black	LVR Internal Honeycomb Louver
		40K 4000K				WB Wide 35°	SG Griven Silver Grey	
						EW Extra-Wide 58°	OG Olive Grey	
							WH White	
							CC Custom RAL Color	

*Consult factory for availability of other optical options.

See Page 4 for ordering information of available accessories.

FULL MOON SURFACE

Static White



		FULL MOON SURFACE
PHYSICAL	HOUSING	Die-Cast Aluminum
	LENS	Tempered Glass
	SWIVEL	Brass (One-Tone Finish) or Aluminum (Lockable Head)
	DRIVER LOCATION	Integral
	DIMENSIONS	6.46" L x ø3.07" (90° Housing Orientation; See Page 3 for More Details)
	WEIGHT	2.2 Pounds
	OPERATING TEMPERATURE	-22°F to 104°F (-30°C to 40°C)

ELECTRICAL	POWER	20 Watts
	CURRENT	0.16 amps at 120 volts
	CONTROL	On/Off
	CABLE	Power In
	CABLE LENGTH	39.3"

PHOTOMETRIC	LED	2700K	3000K	4000K
	DELIVERED LUMEN OUTPUT	up to 1921 lumens	up to 1950 lumens	up to 2098 lumens
	EFFICACY	up to 96 lumens per watt	up to 98 lumens per watt	up to 105 lumens per watt
	LUMEN MAINTENANCE	L70 > 55,000 Hours at 77°F*		
	LIGHT CONTROL ACCESSORIES	Visor Available		

LIGHT DISTRIBUTIONS	CCT	DATA	DISTRIBUTION / BEAM ANGLE			
			Narrow	Medium	Wide	Extra-Wide
			18°	25°	35°	50°
2700K	LUMENS	1921	1912	1705	1698	
	EFFICACY	96	96	85	85	
	MAX. CANDELA	16312	8949	4134	1780	
3000K	LUMENS	1950	1942	1731	1724	
	EFFICACY	98	97	87	86	
	MAX. CANDELA	16558	9090	4197	1807	
4000K	LUMENS	2098	2089	1862	1855	
	EFFICACY	105	104	93	93	
	MAX. CANDELA	17815	9778	4514	1945	

Values based on full output.

CERTIFICATIONS	SAFETY	ETL Certified for Wet Locations
	INGRESS PROTECTION	IP67
	IMPACT RATING	IK08
	WARRANTY	Five Year Limited Warranty

* LED life may vary under actual field conditions due to external factors. Lifetime estimates are generated from actual testing in a controlled environment. Values are conservatively derived from those numbers.

FULL MOON SURFACE

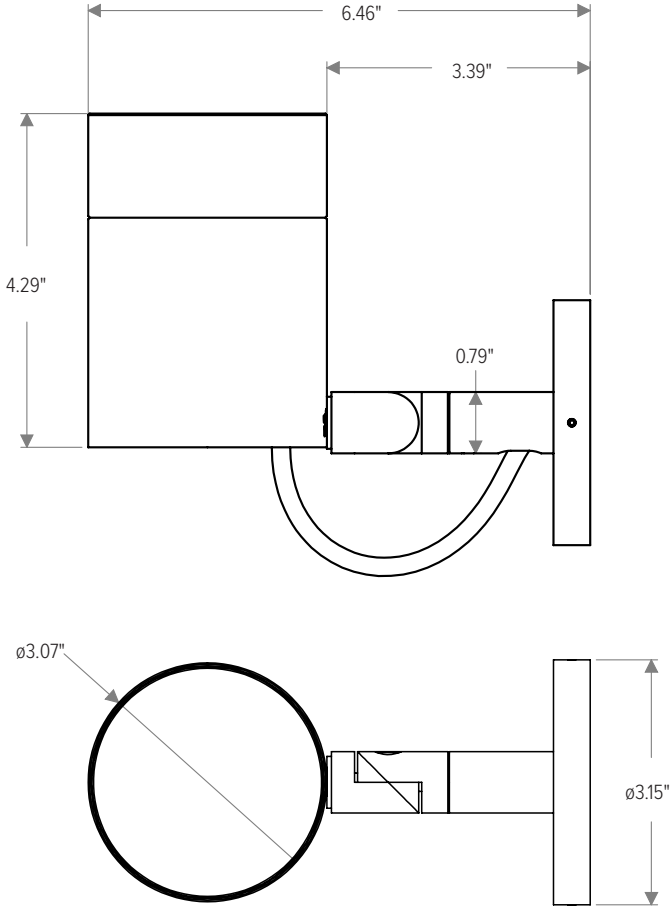
Static White



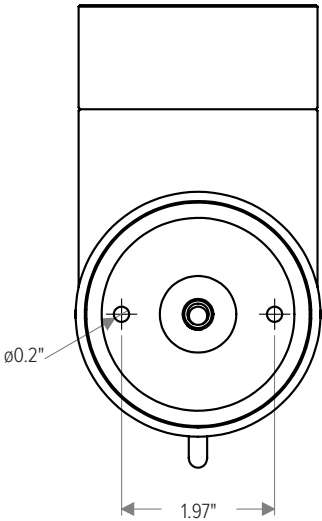
DIMENSIONS

All dimensions are shown in inches unless otherwise noted.

Full Moon Surface with Lockable Head



MOUNTING



FULL MOON SURFACE

Static White



ACCESSORIES

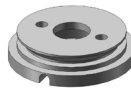
NOTE: Accessories are ordered and shipped separately from luminaire for field installation.

-XX* indicates a painted accessory. See bottom of page for painted accessory ordering information.



MOONFL-VISOR-XX*

Visor



MOONFL-WLMT-XX*

Wall Mount Plate
for Side-Run Cable



MOONFL-PLMT-XX*

Pole/Tree Mount Kit

ORDERING INFORMATION

PAINTED ACCESSORIES

MODEL	FINISH (*-XX)	OPTION
MOONFL-VISOR Visor	AG Anthracite Grey	AST Anti-Saline Treatment
MOONFL-WLMT Wall Mount Plate	BL Black	
MOONFL-PLMT Pole/Tree Mount Kit	SG Griven Silver Grey	
	OG Olive Grey	
	WH White	
	CC Custom RAL Color	

FULL MOON SURFACE

Static White



PHOTOMETRICS

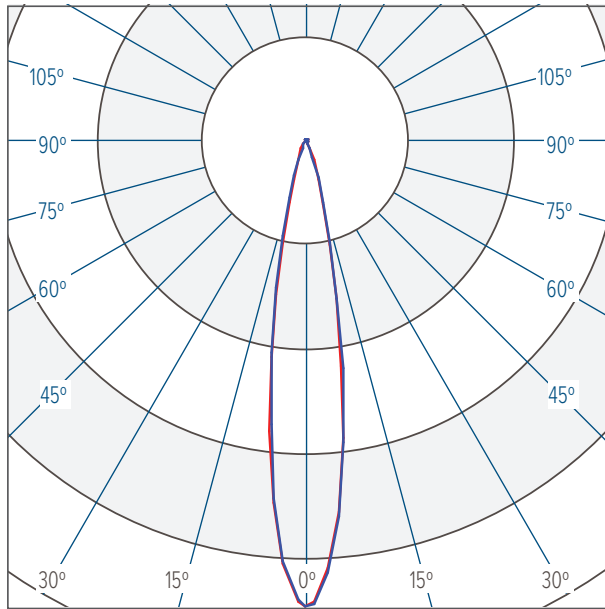
NOTE: Values shown below reflect 4000K CCT.

For 2700K, apply a 0.92 prorate factor. For 3000K, apply a 0.93 prorate factor.

NARROW 18°

CBCP 17815 / 2098 lumens

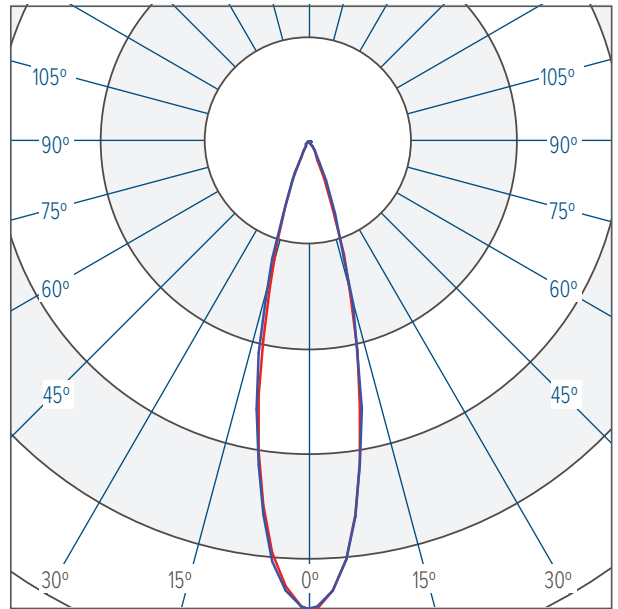
Horizontal
Vertical



MEDIUM 25°

CBCP 9778 / 2089 lumens

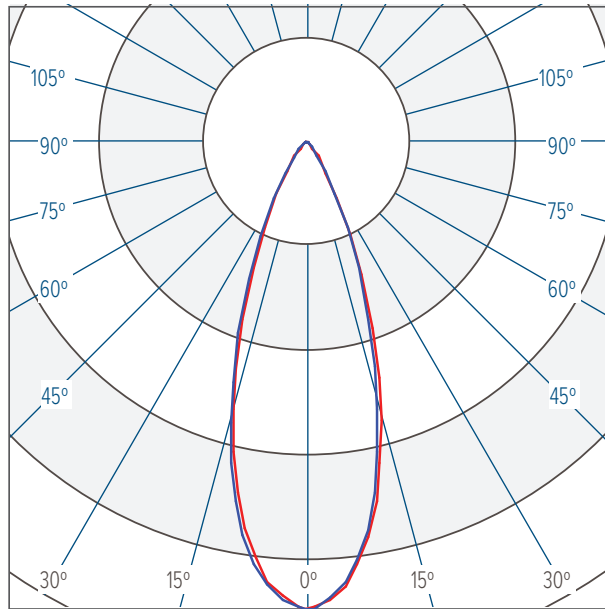
Horizontal
Vertical



WIDE 35°

CBCP 4514 / 1862 lumens

Horizontal
Vertical



EXTRA-WIDE 58°

CBCP 1945 / 1855 lumens

Horizontal
Vertical

