

DESCRIPTION

GEA is an innovative in-ground luminaire with unprecedented optical configuration for illuminating entire building facades of up to 59-feet. Its unique Dynamic Wall Wash configuration incorporates three distinct, individually configurable LED rows to deliver an even wall-wash effect for both close-up and distant installations. The elegant stainless steel frame allows for a seamless and discrete integration into pavements, and has a load bearing capacity of up to 6613 pounds. GEA is available in RGBW30K, RGBW40K, Dynamic White, or Static White temperatures of 2700K, 3000K, or 4000K standard. Optional anti-slip lens and internal honeycomb louver are available.

Date: _____ Type: _____ Catalog Number: _____

Project Name: _____



Gea Dynamic White



Gea RGBW40K

ORDERING INFORMATION

LUMINAIRE						
MODEL	CCT	CONTROL	CABLE	VOLTAGE	OPTIC	OPTION
GEA Gea	RGBW30K RGBW 3000K White	DMX-RDM DMX/RDM	4 Power In, Power Out, DMX In, DMX Out (59")	UNV 120 - 277V	DWW Dynamic Wall Wash	ASL Anti-Slip Lens
	RGBW40K RGBW 4000K White		S Power in, DMX in, DMX out (59")			LVR Internal Honeycomb Louver
	DW Dynamic White (2700K to 6500K)		M Monocable Without Connectors (19.7")			
			C Monocable With Connectors (19.7")			

Consult factory for availability of custom options. Factory assistance is available via phone at (864) 487-3535 ext. 258 or via email at DesignServices@EXP-Brands.com.

See Page 4 for ordering information of available accessories.

		GEA
PHYSICAL	HOUSING	Stainless Steel Flange with Die-Cast Aluminum Body
	LENS	Tempered Glass
	FORMWORK	Galvanized Steel (Ordered Separately)
	MOUNTING	See page four for mounting details.
	DRIVER LOCATION	Integral
	DIMENSIONS	16.14" L x 13.58" W x 6.02" D
	WEIGHT	24.3 Pounds
	LOAD BEARING CAPACITY	6613 Pounds
	OPERATING TEMPERATURE	-40°F to 122°F (-40°C to 50°C)

ELECTRICAL	POWER	53 Watts			
	CURRENT	0.44 amps at 120 volts 0.19 amps at 277 volts			
	CONTROL	DMX/RDM			
	CABLE	"4" Type Cable	"S" Type Cable	"M" Type Cable	"C" Type Cable
		Power In, Power Out, DMX In, DMX Out	Power In, DMX In, DMX Out	Monocable Without Connectors	Monocable With Connectors
CABLE LENGTH	59"	59"	19.7"	19.7"	

PHOTOMETRIC	LED	Dynamic White (2700K-6500K)	RGBW 3000K	RGBW 4000K
	DELIVERED LUMEN OUTPUT	up to 3178 lumens	up to 1997 lumens	up to 2059 lumens
	EFFICACY	up to 60 lumens per watt	up to 38 lumens per watt	up to 39 lumens per watt
	LUMEN MAINTENANCE	Dynamic White		RGBW
L90 up to 84,700 Hours		L70 up to 103,000 Hours		

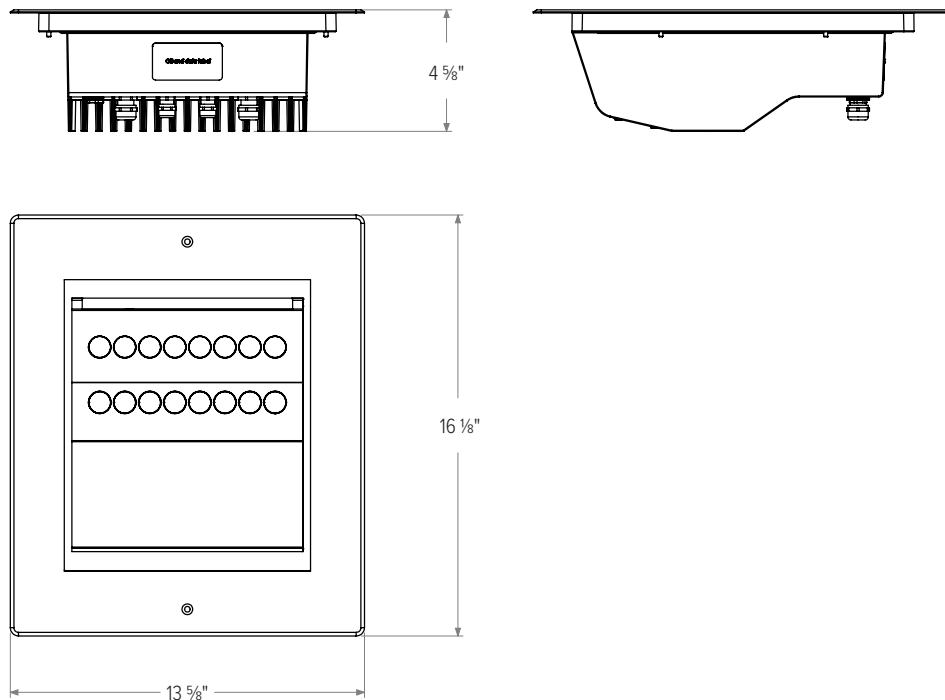
CERTIFICATIONS	SAFETY	ETL Certification Pending
	INGRESS PROTECTION	IP67
	IMPACT RATING	IK10
	WARRANTY	Five Year Limited Warranty

* LED life may vary under actual field conditions due to external factors. Lifetime estimates are generated from actual testing in a controlled environment. Values are conservatively derived from those numbers.

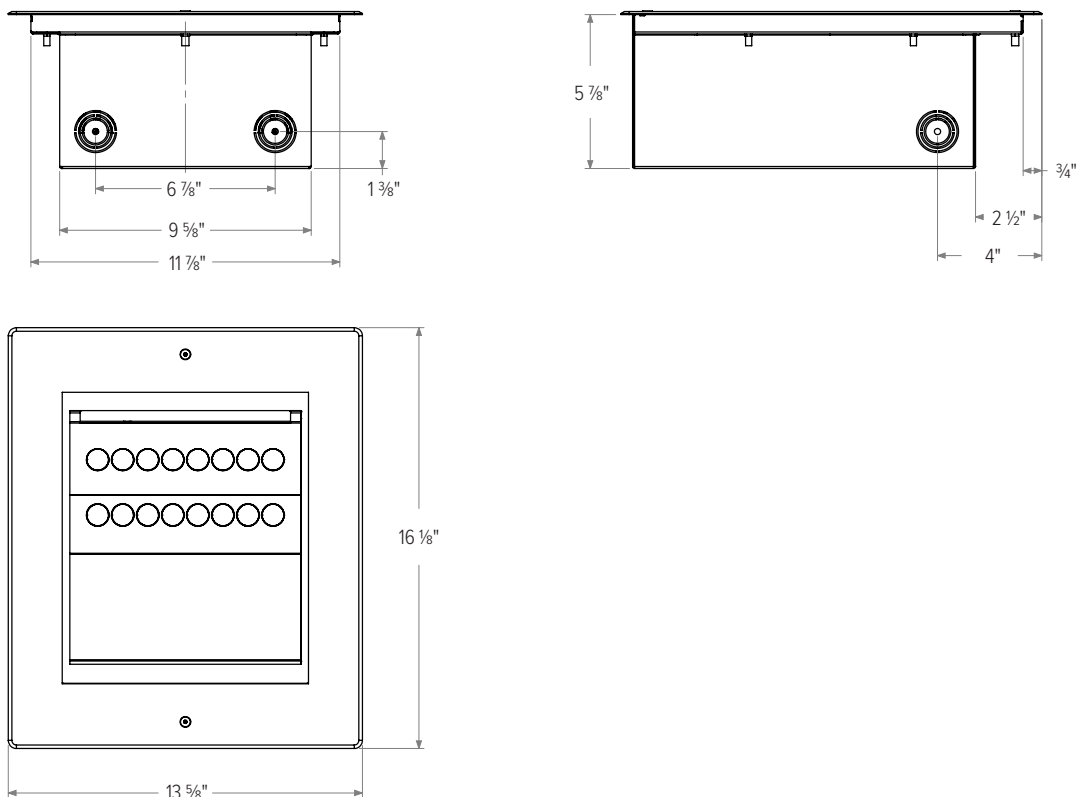
DIMENSIONS

All dimensions are shown in inches unless otherwise noted.

Luminaire Dimensions

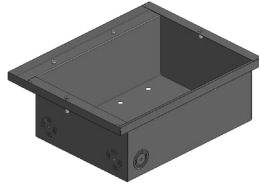


Luminaire + Recessed Rough-In Box Dimensions



ACCESSORIES

NOTE: Accessories are ordered and shipped separately from luminaire for field installation.
-XX* indicates a painted accessory. See bottom of page for painted accessory ordering information.



GEA-RRB

Formwork/Recessed Rough-In Box
(Required, Ordered Separately)



IR-CONFIG-REMOTE

Infrared DMX Configuration Remote
(Required for DMX Configuration Unless
Another RDM Compatible Control is Used)

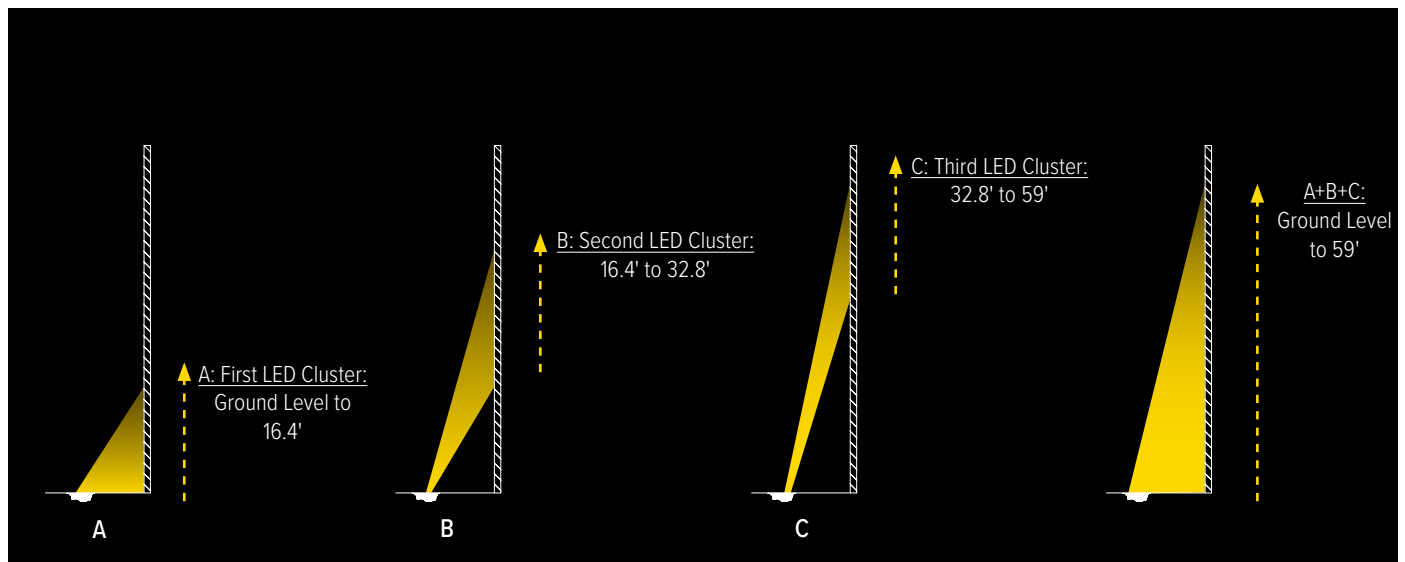
LUMINAIRE INSTALLATION

Due to the unique "Dynamic Wall Wash" Optics of GEA, Griven recommends the following measurements as a guideline for the best optical result.

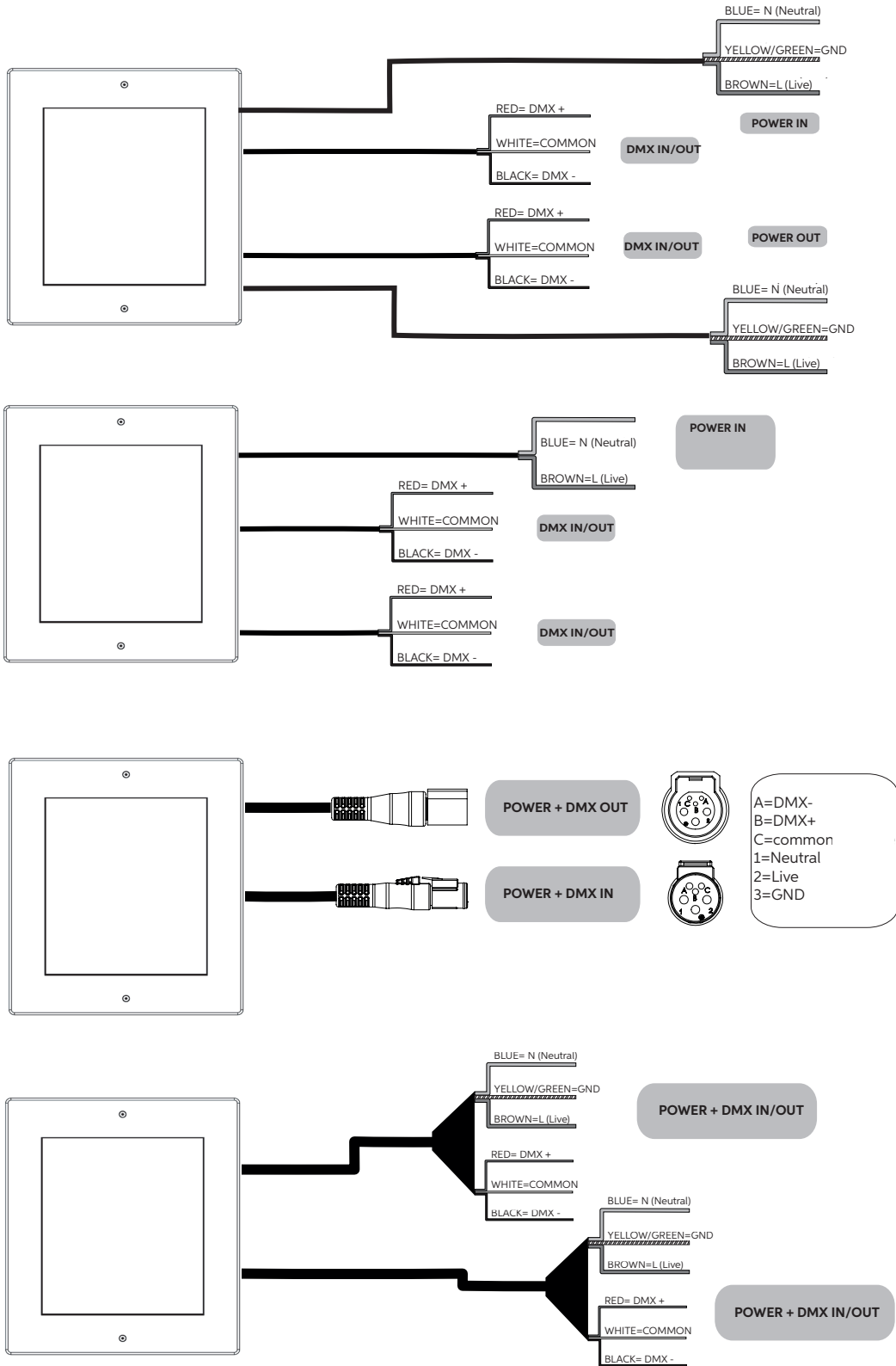
INSTALLATION GUIDELINES	BUILDING HEIGHT	19.7'	29.5'	39.4'	49.2'	59'
	DISTANCE FROM WALL	3.3'	4.9'	6.6'	8.2'	9.8'
	SPACING BETWEEN FIXTURES	4.3'	6.6'	8.8'	10.8'	13.1'

DYNAMIC WALL WASH

Dynamic Wall Wash is an innovative combination of three custom optics placed in separate rows. Rows are independently manageable and ensure optimal light distribution on building facades, exterior walls, or perimeters of historical and modern buildings up to 59' in height.



CONNECTION



RGBW DMX MODES			
MODE	CHANNEL	FUNCTION	VALUE
#1 IR = 4	1	0-100% Red	0-255
	2	0-100% Green	0-255
	3	0-100% Blue	0-255
	4	0-100% Calibrated White (affects RGB channels)	0-255
DYNAMIC WHITE DMX MODES			
MODE	CHANNEL	FUNCTION	VALUE
#1 IR = 2 (Default)	1	Warm White 0-100%	0-255
	2	Cold White 0-100%	0-255
Note: In the absence of DMX signal, LEDs will remain on.			
RDM FUNCTIONS			

When operating in DMX mode, the fixture can accept the following RDM commands:

Discovery: The fixture will signal its own presence (RDM controller will display the fixture on a list.)

DMX Address reading and setting

Channel number reading and setting

On/Off identification: used to identify the fixture you need access to (switches on all LEDs at full output)

Manufacturer: Displays the name of the manufacturer (Griven)

Model description: Displays the description of the model

Software version description

Temperature