

GOBOLED 80 D

Outdoor Image Projector



DESCRIPTION

GoboLED projects a bright, accurate rendition of graphic designs or logos through D size dichroic or metal gobos and a single high power LED. Four gobo rotation speeds in clockwise or counter-clockwise directions are possible when using the onboard functions, or fully adjustable when combined with a DMX control system. Gobo indexing is extremely fluid and gobo rotation is silent for operation even in the quietest environments. The projector features continuous 0 to 100% dimming, strobe effects up to 25 frames per second, and electronic blackout capability. Onboard control functions allow for stand-alone automatic or master-satellite operation with multiple units, or interface with external DMX controllers. Manual focus and beam width tuning from 19° to 35° provides maximum design flexibility for the most demanding applications. The IP65 rated projector is suitable for outdoor or indoor use.



Date: _____ Type: _____ Catalog Number: _____

Project Name: _____

ORDERING INFORMATION

LUMINAIRE			
MODEL	VOLTAGE	FINISH §	OPTIONS
GOB173	100V 100 - 240V	AG Anthracite Gray	MG Marine Grade Treatment
		BL Black	3G ANSI C136.31 Vibration Rating
		SG Griven Silver Gray	
		WH White	
		CC Custom RAL Color	

IP65/55 / IK07 /



GOBOLED 80 D

Outdoor Image Projector

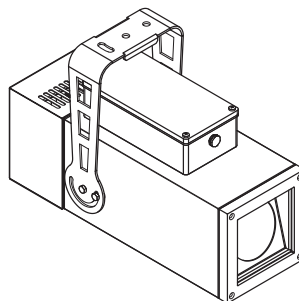


GOBOLED 80 D		
PHYSICAL	HOUSING	Die-Cast Aluminum
	MOUNTING	Yoke Mount with Locking Hinge
	BEAM ANGLE	Manual Adjustment of Focus and Linear Zoom from 20° to 32°
	DRIVER LOCATION	Integral
	DIMENSIONS	16.7" x 6.5" x 11"
	WEIGHT	19.2 Pounds
	EPA	1.03 ft ²
	OPERATING TEMPERATURE	-40°F to 104°F (-40°C to 40°C)
	VIBRATION RATING	ANSI C136.31 Variant Available
	GOBO	Size D GOBO Exterior Diameter 53.3mm Interior Diameter 40mm Primary GOBO Rotatable

ELECTRICAL	POWER	100 Watts
	INPUT VOLTAGE	100-240VAC @ 50-60Hz
	CURRENT	1 amp at 100 volts 0.42 amps at 240 volts
	CONTROL	DMX
	CABLE LENGTH	59.1" DMX Cable

PHOTOMETRIC	LED	6100K	
	DELIVERED LUMEN OUTPUT	20°	32°
		2325 lumens	2105 lumens
	EFFICACY	23.3 lumens per watt	21.1 lumens per watt
	LUMEN MAINTENANCE	L70 > 50,000 Hours at 77°F*	
LIGHT CONTROL ACCESSORIES	Visor Available		

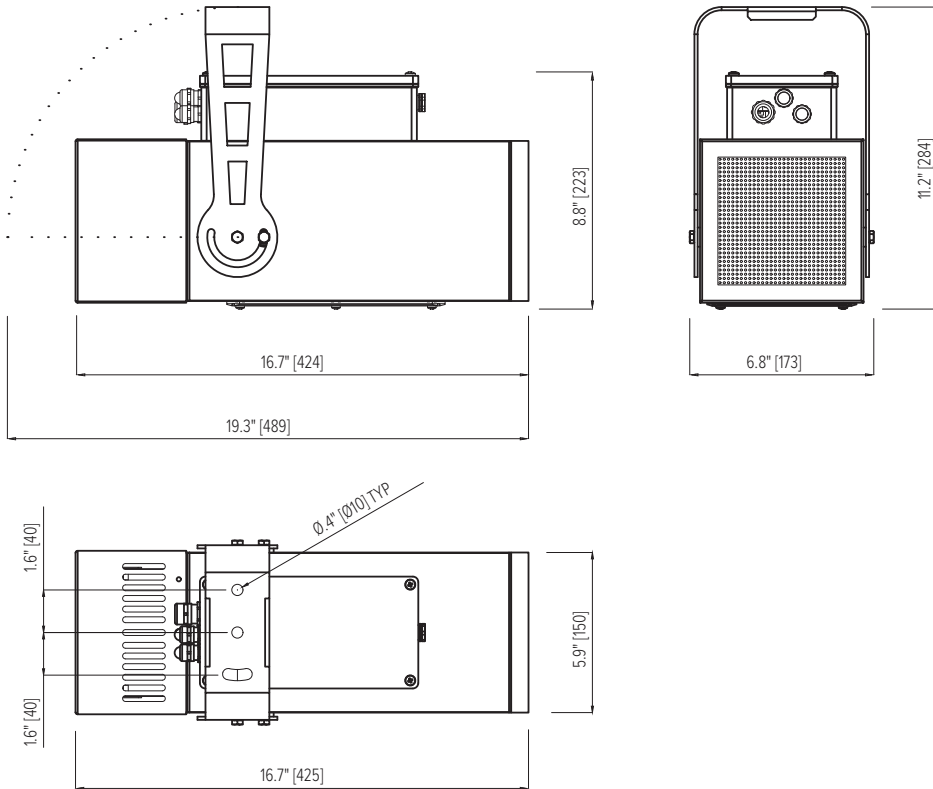
CERTIFICATIONS	SAFETY	ETL Certified for Wet Locations
	INGRESS PROTECTION	IP65
	IMPACT RATING	IK07
	WARRANTY	Five Year Limited Warranty



* LED life may vary under actual field conditions due to external factors. Lifetime estimates are generated from actual testing in a controlled environment. Values are conservatively derived from those numbers.

DIMENSIONS

All dimensions are shown in inches unless otherwise noted.

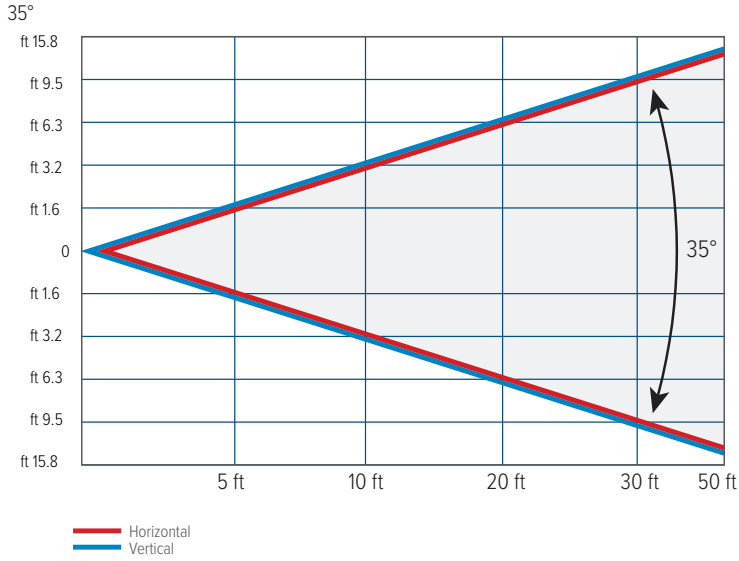


ACCESSORIES ORDERED SEPERATELY

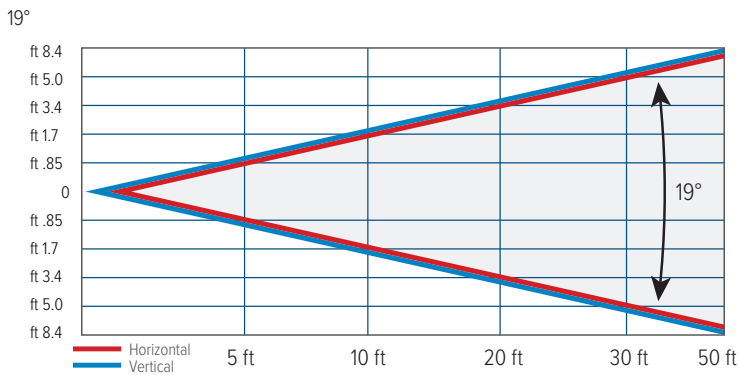
- Safety Cable AL0250



PHOTOMETRICS (without accessory gobo)



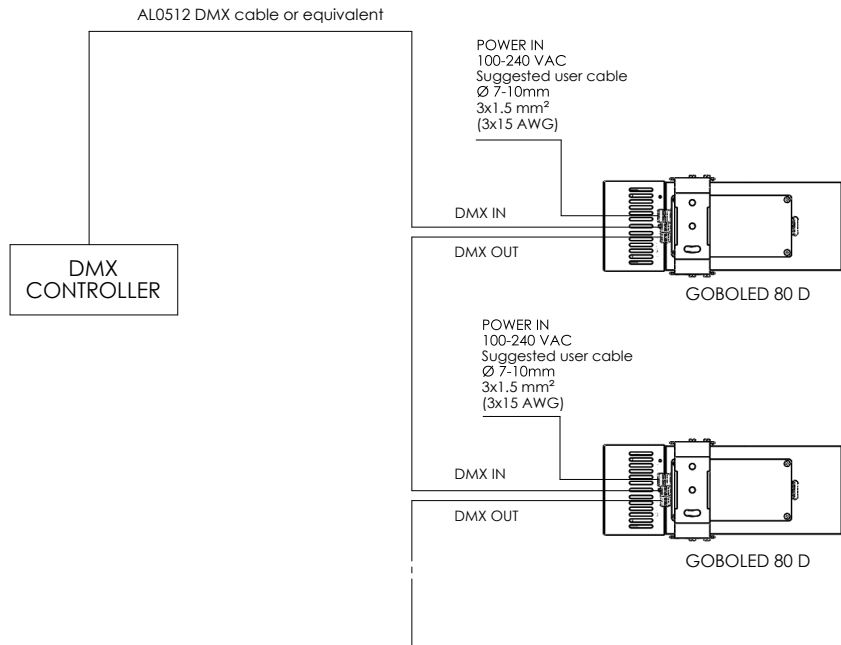
	5 ft	10 ft	20 ft	30 ft	50 ft
FC	250	63	28	10	5
∅ (ft)	3.8	7.5	11.3	18.8	28.2



	5 ft	10 ft	20 ft	30 ft	50 ft
FC	581	145	65	23	10.3
∅ (ft)	2.3	4.6	7	11.6	17.4

CONTROL OPTIONS (DMX512, PRIMARY CONTROL PLATFORM)

Contact manufacturer for control system development.



Notes

1. Use a DMX repeater on each 32nd fixture of the daisy chain or in case the total DMX cable length exceeds 1000 ft (300m).
2. Insert a 120 Ω resistor connected to Data+ and Data- in the last unit.
3. For further details on fixture connection and installation, please refer to the relevant instruction manual.