

## DESCRIPTION

GoboLED projects a bright, accurate rendition of graphic designs or logos through D size dichroic or metal gobos and a single high power LED. Four gobo rotation speeds in clockwise or counter-clockwise directions are possible when using the onboard functions, or fully adjustable when combined with a DMX control system. Gobo indexing is extremely fluid and gobo rotation is silent for operation even in the quietest environments. The projector features continuous 0 to 100% dimming, strobe effects up to 25 frames per second, and electronic blackout capability. Onboard control functions allow for stand-alone automatic or master-satellite operation with multiple units, or interface with external DMX controllers. Manual focus and beam width tuning from 19° to 35° provides maximum design flexibility for the most demanding applications. The IP65 rated projector is suitable for outdoor or indoor use.



Date: \_\_\_\_\_ Type: \_\_\_\_\_ Catalog Number: \_\_\_\_\_

Project Name: \_\_\_\_\_


## ORDERING INFORMATION

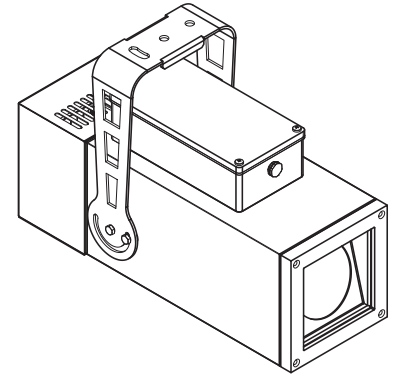
LUMINAIRE			
MODEL	VOLTAGE	FINISH §	OPTIONS
GOB173 -	UNV - 100 - 240V	AG - Anthracite Gray	MG Marine Grade Finish
		BL - Black	3G ANSI C136.31 Vibration Rating
		SG - Griven Silver Gray	
		WH - White	
		CC - Custom RAL Color	

IP65/55 / IK07 / 



## PRODUCT SPECIFICATIONS (per luminaire except as noted)

Lumen Output	2325 lumens @ 19 degrees, 2105 lumens @ 32 degrees; CCT 6100K
Efficacy	23 lm/W
Lumen Maintenance	50,000 hours L70 @ 25°C
Operating Temperature	-20°C to 40°C (-4°F to 104°F)
Housing	Aluminum body with an adjustable mounting yoke
Mounting	Yoke mount with locking hinge (custom mounting available upon request)
Weight	19.2 lbs (8.7 Kg)
Certification	
Ingress Protection	Wet location rated IP65 fixture body, IP55 cooling system
Impact Rating	IK07
Vibration Rating	ANSI C136.31 rated version available
Control	Auto Control, DMX 512, Wireless interfaces available
Cable Lengths	DMX: 59.06 inches
Additional Features	Automatic overtemperature protection / Dipswitches for Control Settings
Gobo Size	Size D: Exterior diameter 53.3mm, interior diameter 40mm Primary gobo rotatable.
EPA	1.03 ft <sup>2</sup>

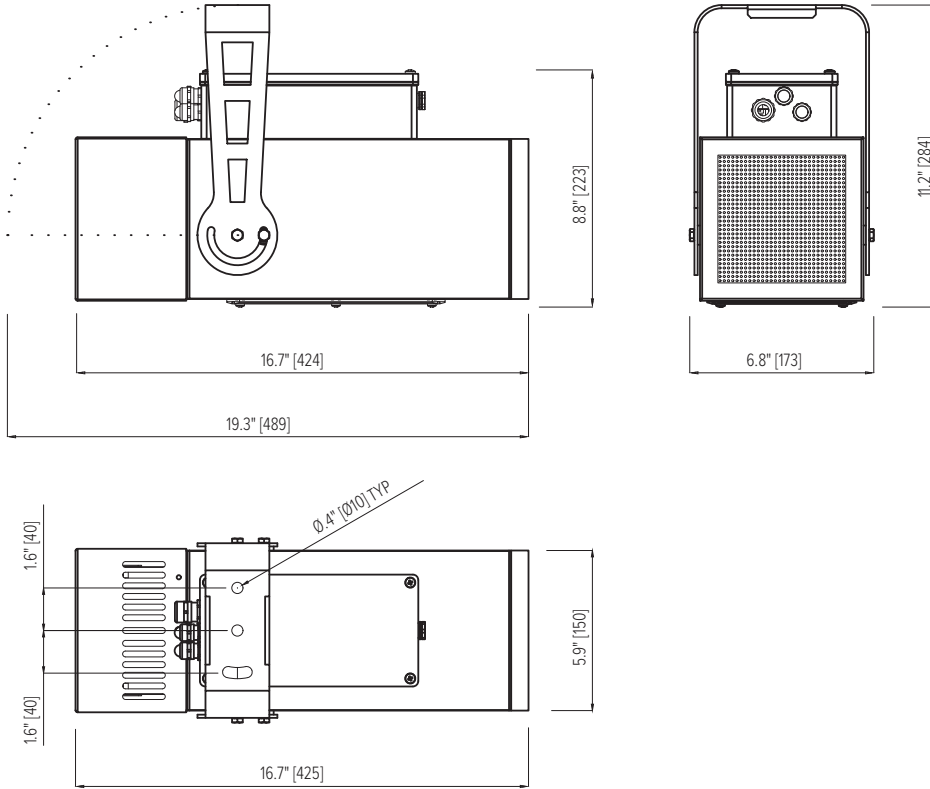


## ELECTRICAL SPECIFICATIONS

Input Voltage	100-240 VAC @ 50-60Hz
Power Consumption	100W max

## DIMENSIONS

All dimensions are shown in inches unless otherwise noted.

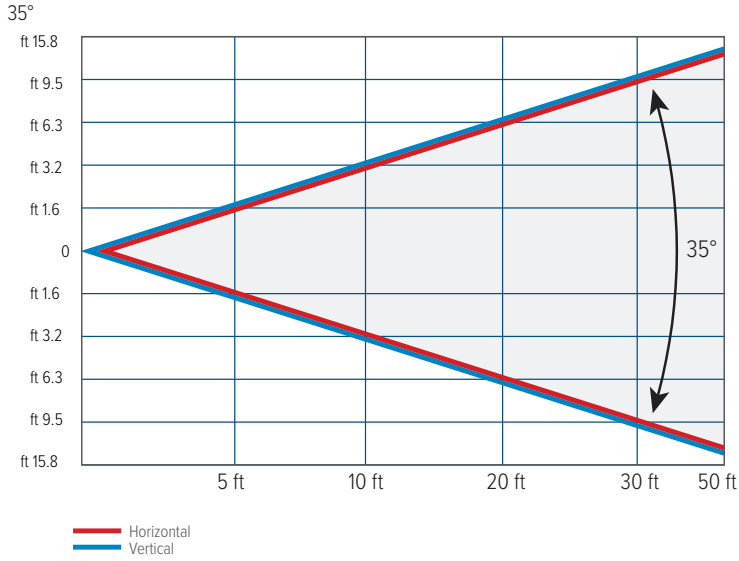


## ACCESSORIES ORDERED SEPERATELY

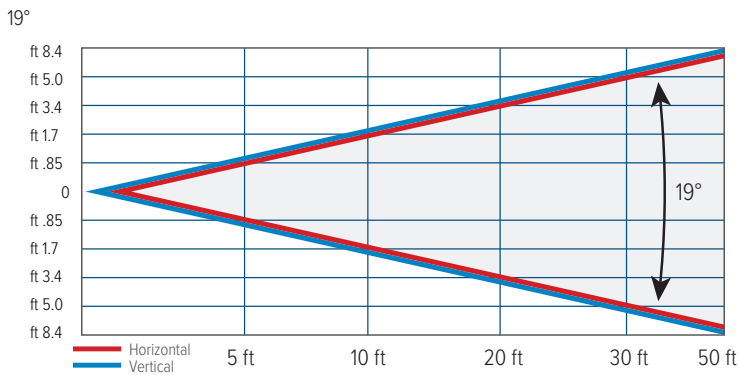
- Safety Cable AL0250



PHOTOMETRICS (without accessory gobo)



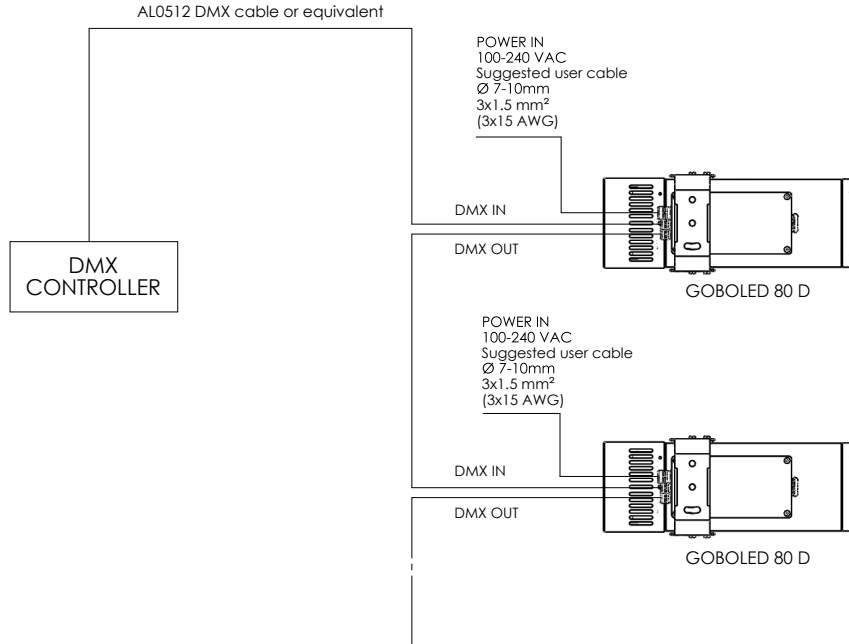
	5 ft	10 ft	20 ft	30 ft	50 ft
FC	250	63	28	10	5
∅ (ft)	3.8	7.5	11.3	18.8	28.2



	5 ft	10 ft	20 ft	30 ft	50 ft
FC	581	145	65	23	10.3
∅ (ft)	2.3	4.6	7	11.6	17.4

CONTROL OPTIONS (DMX512, PRIMARY CONTROL PLATFORM)

Contact manufacturer for control system development.



Notes

1. Use a DMX repeater on each 32nd fixture of the daisy chain or in case the total DMX cable length exceeds 1000 ft (300m).
2. Insert a 120 Ω resistor connected to Data+ and Data- in the last unit.
3. For further details on fixture connection and installation, please refer to the relevant instruction manual.