

## DESCRIPTION

GRAPH-I-CELL is a single pixel direct view luminaire that may be grouped in multiple units to display low resolution graphics, videos, or dynamic patterns. The low voltage, self-addressing fixture is die-cast aluminum and features six high brightness LEDs. The fully sealed luminaire operates as an individually controlled node via DMX and integrates into existing architecture with minimal effort and materials. Power and data are combined within a single cable for ease of wiring and interconnection of many units. The domed lens is available in two frosted variations for close or distant viewing. The IP65 rated luminaire is suitable for a wide range of exterior or interior applications. Monochrome versions are also available on request.



Date: \_\_\_\_\_ Type: \_\_\_\_\_ Catalog Number: \_\_\_\_\_



Project Name: \_\_\_\_\_

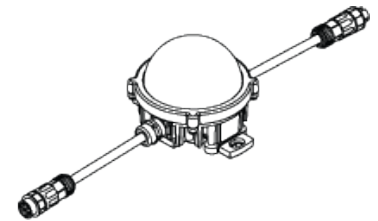
## ORDERING INFORMATION

LUMINAIRE				
MODEL	COLOR	VOLTAGE	DIFFUSER	FINISH <sup>§</sup>
GRI130 - Graph-i-cell	RGB - RGB	UNV - 120 - 277V	SD - Standard	SG Griven Silver Gray
	27K - 2700K		ED - Extra Diffuse	CC Custom Color
	30K - 3000K			
	40K - 4000K			
	CCW - Custom White			
CCM - Custom Monochrome				

<sup>§</sup> Contact factory for marine grade finish

PRODUCT SPECIFICATIONS

Lumen Output	316 lumens RGB
Pitch	5.2" minimum
Lumen Maintenance	100,000 hours L70 @ 25°C*
Color	RGB, 2700K, 3000K, or 4000K (see pg 4 for customization options)
Operating Temperature	-22°F to 104°F (30°C to 40°C)
Housing	Aluminum and opaline polymer body
Mounting	Two fastener tabs per node for surface mounting
Weight	LED module: 1.15 lbs (0.52 Kg) Electronic driver: 8.2 lbs (3.7 Kg)
Certification	 
Ingress Protection	Wet location rated IP65
Impact Rating	IK10
Control	DMX 512, G-data (2048 channels), Wireless and 0-10V interfaces available
Cable Lengths	DMX: 59.06 inches
Additional Features	Auto addressing / Automatic overtemperature protection



\* LED life may vary under actual field conditions due to external factors. Lifetime estimates are generated from actual testing in a controlled environment. Given values are conservatively derived from those numbers.

ELECTRICAL SPECIFICATIONS

Input Voltage	100-277 VAC @ 50-60Hz
Power Consumption	13W maximum (1 module full RGB) ; maximum 20 nodes per power supply
Power Factor	>.98 @ 115VAC, >.94 @ 277VAC (power supply)

PRODUCT OPTIONS



SPREADING  
DIFFUSER

Die-cut spreading diffusers can be added to fixture. Factory sealed in fixture for highest performance and durability. Consult factory.



MARINE GRADE COATING

Maximum corrosion resistance for installations near salt or brackish water.

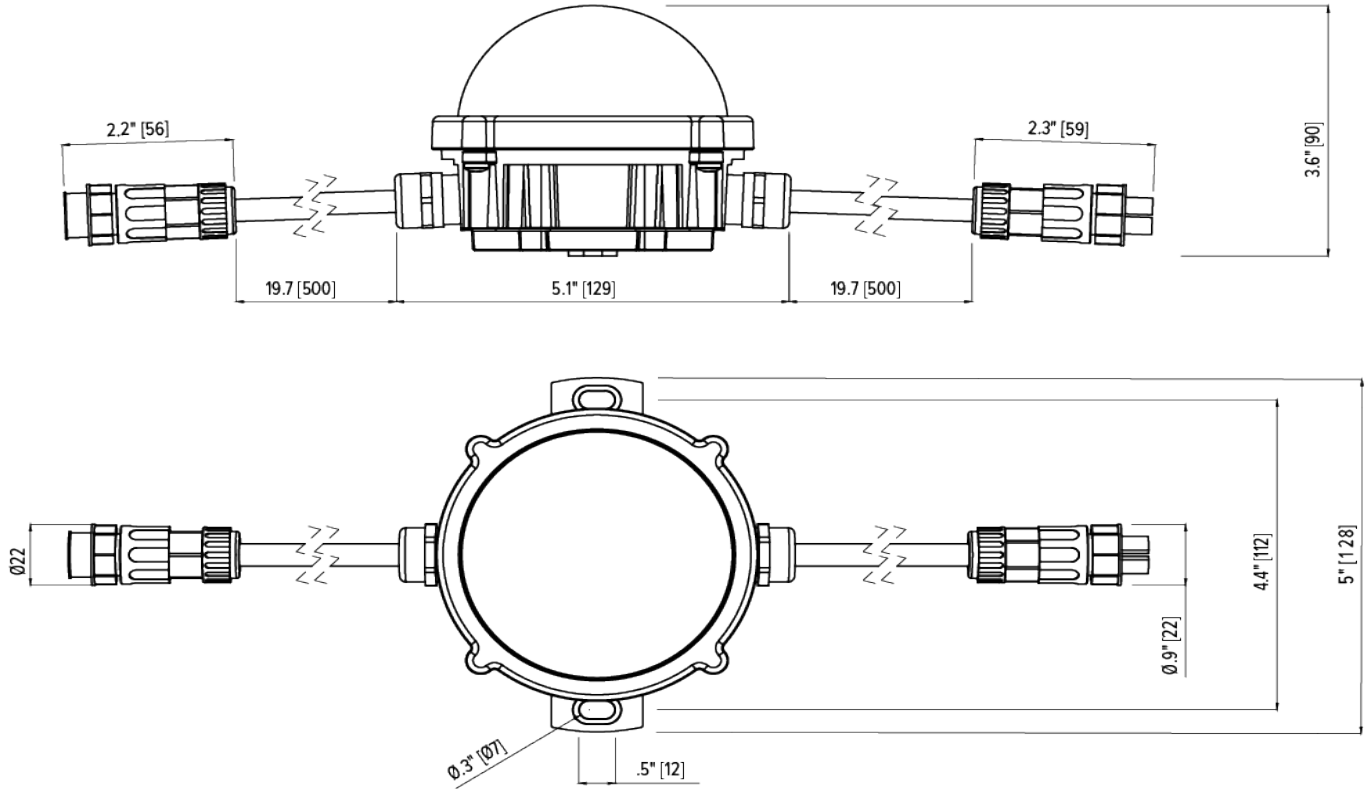


CUSTOM MONOCHROME

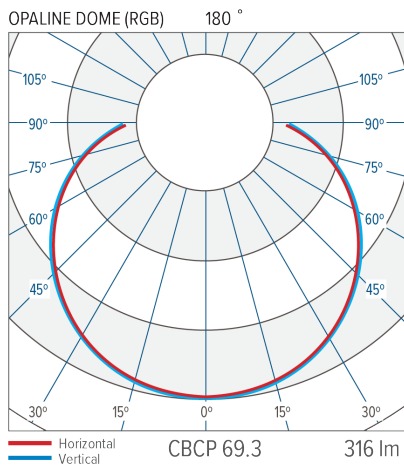
Fixtures with dedicated color LEDs available. Contact Griven USA to confirm availability of a custom color.

**DIMENSIONS**

All dimensions are shown in inches unless otherwise noted.



**PHOTOMETRICS**



## CONTROL OPTIONS

Contact manufacturer for control system development.

