

HALF MOON BOLLARD

Dynamic White | RGBW



DESCRIPTION

HALF MOON BOLLARD is a remarkably compact luminaire designed to elevate outdoor environments with subtlety and sophistication by creating exquisite accent lighting effects. Its external power supply unit allows for easy installation even in tight spaces while enabling the simultaneous control of multiple units. With an opaline diffuser to precisely highlight exterior elements, Half Moon enhances the beauty of landscape and architectural details. It is available in five trendy finishes with an elegant brass or monochrome swivel, available with a sleek cover for convenient wall or floor installation.



Date: _____ Type: _____ Catalog Number: _____

Project Name: _____

ORDERING INFORMATION

LUMINAIRE									
MODEL	HEIGHT	SWIVEL	CCT	CONTROL	CABLE	VOLTAGE	OPTIC	FINISH	OPTION
MOONHF-BL Half Moon Bollard	750 29.5" / 750mm	BS Brass Swivel	RGBW30K RGBW 3000K	DMX-RDM DMX/RDM	M Monocable Without Connectors (39.3")	UNV 120 - 277v via Remote Power Supply	OPAL Opaline Glass Lens	AG Anthracite Grey	AST Anti-Saline Treatment
	500 19.7" / 500mm	OT One Tone Finish	RGBW40K RGBW 4000K					BL Black	
	250 9.8" / 250mm		DW Dynamic White (3000K to 6500K)					SG Graven Silver Grey	
								OG Olive Grey	
								WH White	
								CC Custom RAL Color	

Custom solutions are available; consult factory via phone at (864) 487-3535 ext. 258 or via email at DesignServices@EXP-Brands.com.

See Page 4 for ordering information of required and available accessories.



HALF MOON BOLLARD

Dynamic White | RGBW



		HALF MOON BOLLARD		
PHYSICAL	HOUSING	Die-Cast Aluminum		
	LENS	Tempered Glass		
	SWIVEL	Brass		
	DRIVER LOCATION	Remote (Ordered Separately)		
	DIMENSIONS (90° Housing Orientation)	750mm	500mm	250mm
		ø3.94" Base x 29.53" H	ø3.94" Base x 19.69" H	ø3.94" Base x 9.85" H
	WEIGHT	1.54 Pounds	1.32 Pounds	1.1 Pounds
OPERATING TEMPERATURE	-40°F to 122°F (-40°C to 50°C)			

ELECTRICAL	POWER	3.5 Watts		
	CURRENT	Constant Current @ 300mA		
	CONTROL	DMX/RDM via Remote Power Supply		
	REMOTE POWER SUPPLY	RMTPS-UNV-50-300-DMX DMX Addressable Remote Enclosed Driver Powers 1 to 10 Half Moon Luminaires See Page 4 for more information.		
	CABLE	Power & DMX Cable Without Connectors		
	CABLE LENGTH	39.3"		

PHOTOMETRIC	LED	Dynamic White (3000K-6500K)	RGBW 3000K	RGBW 4000K
	DELIVERED LUMEN OUTPUT	up to 56 lumens	up to 28 lumens	up to 32 lumens
	EFFICACY	up to 16 lumens per watt	up to 8 lumens per watt	up to 9 lumens per watt
	LUMEN MAINTENANCE	L70 > 55,000 Hours at 77°F*		
	LIGHT CONTROL ACCESSORIES	Visor Available		

LIGHT DISTRIBUTIONS	CCT	LUMENS	EFFICACY	MAX. CANDELA
	Dynamic White	56	16	50
	RGBW 3000K	28	8	25
	RGBW 4000K	32	9	28
Values based on full output.				

CERTIFICATIONS	SAFETY	ETL Certified for Wet Locations		
	INGRESS PROTECTION	IP67		
	IMPACT RATING	IK07		
	WARRANTY	Five Year Limited Warranty		

* LED life may vary under actual field conditions due to external factors. Lifetime estimates are generated from actual testing in a controlled environment. Values are conservatively derived from those numbers.

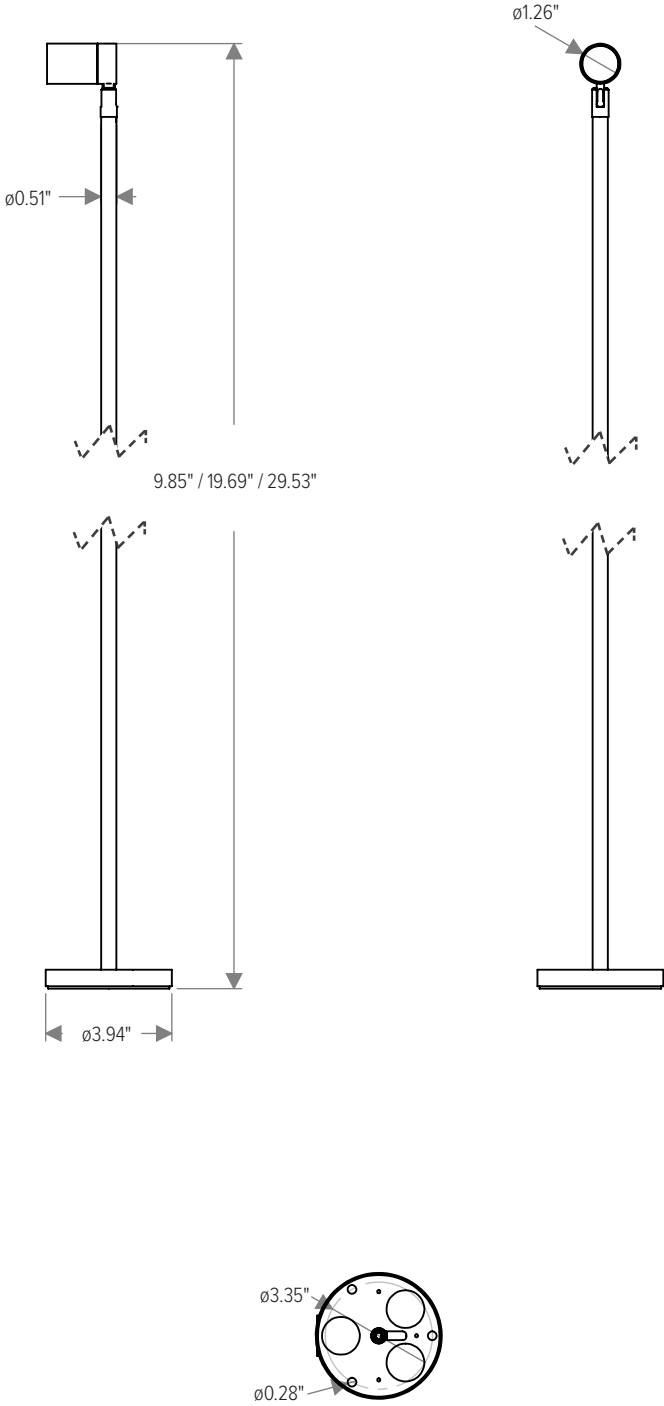
HALF MOON BOLLARD

Dynamic White | RGBW



DIMENSIONS

All dimensions are shown in inches unless otherwise noted.



HALF MOON BOLLARD

Dynamic White | RGBW



ACCESSORIES

NOTE: Accessories are ordered and shipped separately from luminaire for field installation.

-XX* indicates a painted accessory. See bottom of page for painted accessory ordering information.



IR-CONFIG-REMOTE
Infrared DMX Configuration Remote



MOONHF-VISOR-XX*
Visor



MOONHF-BL-FRMWK
Formwork



MOONHF-BL-MK
Mounting Kit (Anchor Bolts)

ORDERING INFORMATION

PAINTED ACCESSORIES

MODEL	FINISH (*-XX)	OPTION
MOONHF-VISOR Visor	AG Anthracite Grey	AST Anti-Saline Treatment
	BL Black	
	SG Griven Silver Grey	
	OG Olive Grey	
	WH White	
	CC Custom RAL Color	

REMOTE POWER SUPPLY (Required, Ordered Separately)

MODEL

RMTPS-UNV-50-300-DMX

Remote Power Supply With Enclosure for Half Moon Bollard Dynamic White/RGBW; Powers and Controls 1 to 10 Luminaires*

Enclosure Dimensions: 3.9" x 7.9" x 3.2"

50 Watts

DMX/RDM Compatible

Universal Input Voltage Range: 120 to 277VAC

Isolated DMX Interface for Improved Immunity Against Surge Events

Input Frequency Range: 50 to 60Hz

Maximum Input Current: 0.5A @ 120V; 0.26A @ 230V; 0.22A @ 277V

Efficiency at Full Load: 86%

Power Factor at Full Load: >0.95

Surge Protection: 2kV

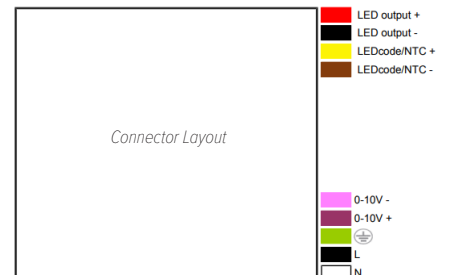
Operating Ambient Temperature: -20° C to 50° C

IP66 / IK09 Rated

*Note: To individually control separate luminaires, one driver per luminaire is required.



Driver Enclosure



HALF MOON BOLLARD

Dynamic White | RGBW

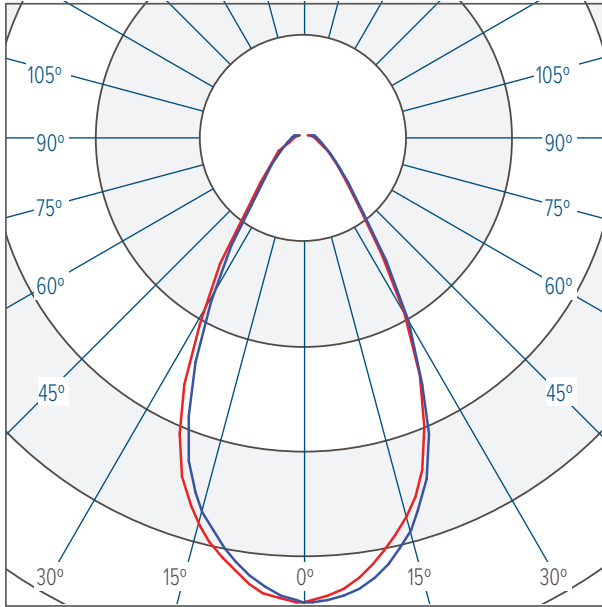


PHOTOMETRICS

RGBW 3000K 55°

CBCP 25 / 28 lumens

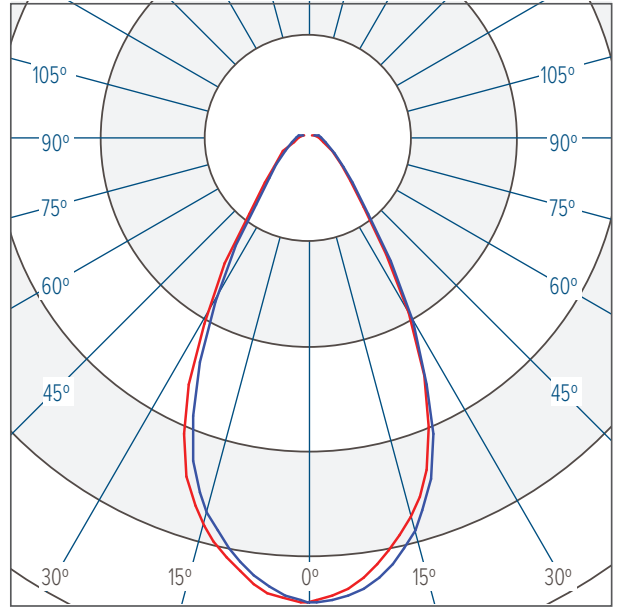
Horizontal
Vertical



RGBW 4000K 55°

CBCP 28 / 32 lumens

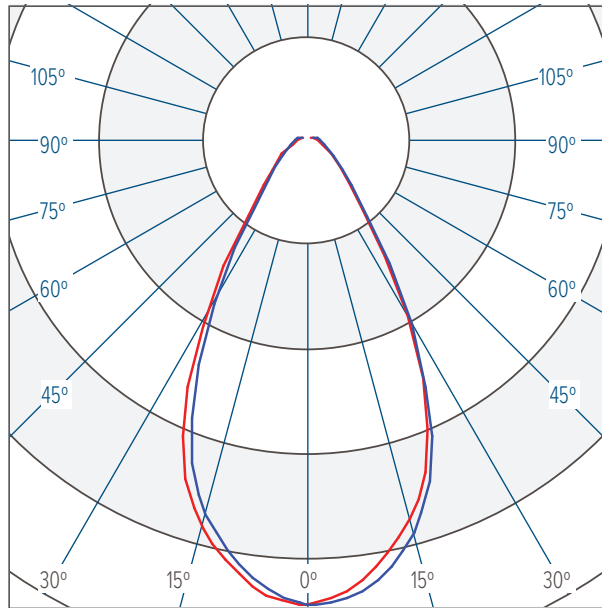
Horizontal
Vertical



DYNAMIC WHITE 55°

CBCP 50 / 56 lumens

Horizontal
Vertical



HALF MOON BOLLARD

Dynamic White | RGBW



RGBW DMX MODES				
MODE	CHANNEL	FUNCTION	VALUE	
Mode 4 Channel- "RGBW 4CH"				
#1	1	0-100% Red	0-255	
	2	0-100% Green	0-255	
	3	0-100% Blue	0-255	
	4	0-100% White	0-255	
Mode 5 Channel- "RGBW 5CH"				
#2	1	0-100% Red	0-255	
	2	0-100% Green	0-255	
	3	0-100% Blue	0-255	
	4	0-100% White	0-255	
	5	0-100% Dimmer	0-255	
Mode 6 Channel- "RGBW 6CH"				
#3	1	0-100% Red	0-255	
	2	0-100% Green	0-255	
	3	0-100% Blue	0-255	
	4	0-100% White	0-255	
	5	0-100% Dimmer	0-255	
	6		No Strobe	0-5
			0-100% Strobe	6-250
		100% Strobe	251-255	
Mode 4 Channel- "RGBW MIX"				
#4	1	0-100% Red	0-255	
	2	0-100% Green	0-255	
	3	0-100% Blue	0-255	
	4	0-100% Calibrated White (affects RGB channels)	0-255	
DYNAMIC WHITE DMX MODES				
MODE	CHANNEL	FUNCTION	VALUE	
Mode 2 Channel- "Dynamic White 2CH"				
#1	1	Warm White 100% / Cold White 0%	0-003	
		Warm White 100% / Cold White 0%-100%	004-122	
		Warm White 100% / Cold White 100%	123-132	
		Warm White 100%-0% / Cold White 100%	133-251	
		Warm White 0% / Cold White 100%	252-255	
2	Dimmer 0-100%	0-255		
Mode 2 Channel- "Separate White 2CH"				
#2	1	0%-100% Warm White	0-255	
	2	0%-100% Cold White	0-255	

Note: In the absence of DMX signal, LEDs will remain on.



www.Griven-USA.com

For other Experience® Brands companies, please visit www.ExperienceBrandsUSA.com.

In a continuing effort to offer the best product possible, we reserve the right to change, without notice, specifications or materials. Technical specification sheets that appear online are the most recent ones available. *Consult the factory to verify current status of BAA/TAA/BABAA compliance.

CUSTOMIZE YOUR **EXPERIENCE**.

At Experience Brands, we believe every space deserves unique lighting elements. We proudly specialize in crafting solutions that reflect your personal vision. Our expert team is here to collaborate with you to design and implement customized features that elevate your environment.

Ready to Get Started? Email us at: DesignServices@exp-brands.com