

HALF MOON MARINE

Dynamic White | RGBW



DESCRIPTION

HALF MOON MARINE is an advanced LED luminaire designed to enhance landscape and architectural features located near coastal regions. This adaptable luminaire provides decorative and functional lighting with smart color management. Corrosion resistant stainless steel or brass materials ensure the longevity of the luminaire even in harsh, salt water areas. Four optical options are available ranging from Narrow to Extra Wide beam spreads. Use of an external power supply enables easy management of multiple units. Electropolishing and clear coating are available on request.



Stainless Steel RGBW



Brass Dynamic White

Date: _____ Type: _____ Catalog Number: _____

Project Name: _____

ORDERING INFORMATION

LUMINAIRE						
MODEL	MATERIAL	CCT	CONTROL	VOLTAGE	OPTIC	OPTION
MOONHF-MR Half Moon Marine	SS Stainless Steel	RGBW30K RGBW 3000K White	DMX-RDM DMX/RDM	UNV 120 - 277V	OPAL Opaline Glass 55°	ELP Electropolishing ¹
	BR Brass	RGBW40K RGBW 4000K White				CLR Clear Coat Finish ²
		DW Dynamic White (3000K to 6500K)				¹ Electropolishing is only available on stainless steel versions. ² Clear coating is only available on brass versions.

Consult factory for availability of custom options. Factory assistance is available via phone at (864) 487-3535 ext. 258 or via email at DesignServices@EXP-Brands.com.

See Page 4 for ordering information of available remote power supplies.

		HALF MOON MARINE	
PHYSICAL	HOUSING	Stainless Steel	Brass
	LENS	Tempered Glass	
	DRIVER	Remote (Sold Separately)	
	DIMENSIONS	ø1.25" x 1.5" L x 3.6" W x 2.2" H	
	WEIGHT	0.44 Pounds	
	OPERATING TEMPERATURE	-40°F to 122°F (-40°C to 50°C)	

ELECTRICAL	POWER	3.5 Watts
	CURRENT	0.029 amps at 120 volts 0.012 amps at 277 volts
	CONTROL	DMX/RDM
	CABLE	Power In
	CABLE LENGTH	59"

PHOTOMETRIC	LED	Dynamic White (3000K-6500K)	RGBW 3000K	RGBW 4000K
	DELIVERED LUMEN OUTPUT	up to 92 lumens	up to 48 lumens	up to 54 lumens
	EFFICACY	up to 26 lumens per watt	up to 14 lumens per watt	up to 15 lumens per watt
	LUMEN MAINTENANCE	L90 > 60,000 Hours at 77°F*		

LIGHT DISTRIBUTIONS	DATA	DYNAMIC WHITE (3000K TO 6500K)	RGBW 3000K	RGBW 4000K
	LUMENS	92	48	54
	EFFICACY	26	14	15
	MAX. CANDELA	81	42	48

Values based on full output.

CERTIFICATIONS	SAFETY	ETL Certified for Wet Locations
	INGRESS PROTECTION	IP67
	IMPACT RATING	IK08
	WARRANTY	Five Year Limited Warranty

* LED life may vary under actual field conditions due to external factors. Lifetime estimates are generated from actual testing in a controlled environment. Values are conservatively derived from those numbers.

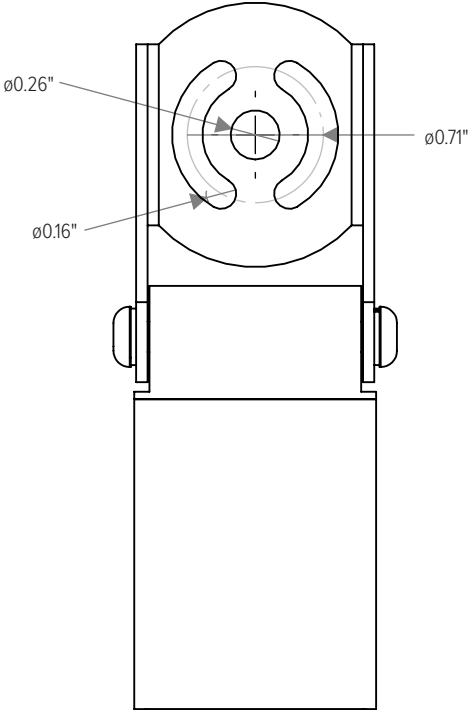
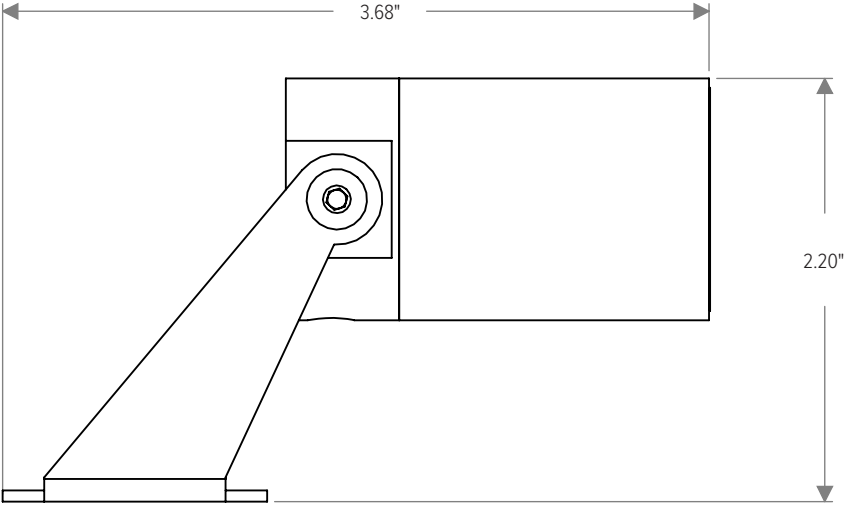
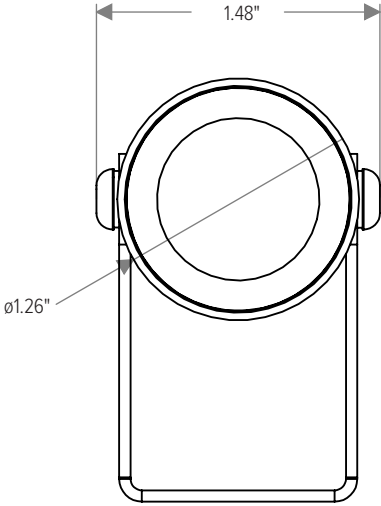
HALF MOON MARINE

Dynamic White | RGBW



DIMENSIONS

All dimensions are shown in inches unless otherwise noted.



PHOTOMETRICS

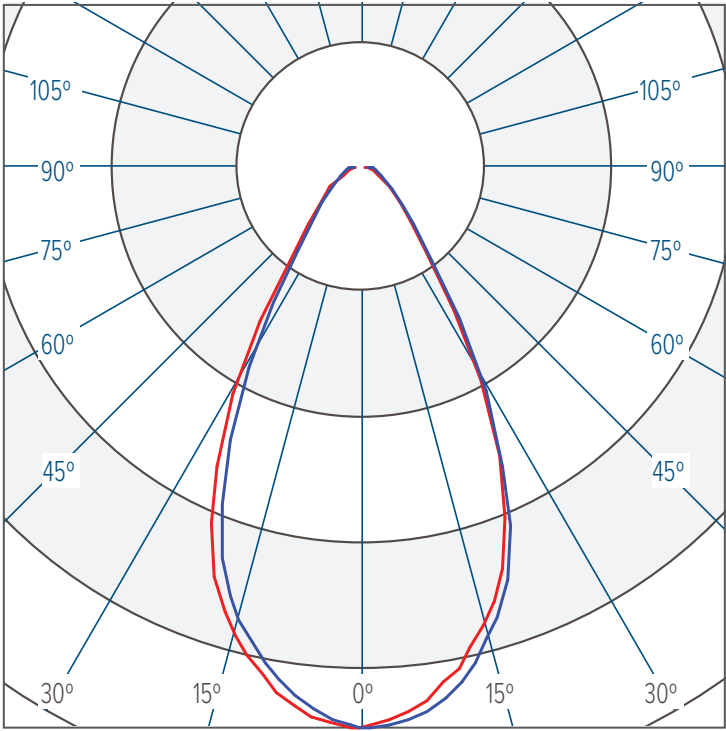
NOTE: Values shown below reflect Dynamic White CCT.

For RGBW 3000K, apply a 0.52 prorate factor. For RGBW 4000K, apply a 0.59 prorate factor.

OPAL 55° DYNAMIC WHITE

CBCP 81 / 92 lumens

Horizontal
Vertical



RGBW DMX MODES			
MODE	CHANNEL	FUNCTION	VALUE
Mode 4 Channel- "RGBW 4CH"			
#1	1	0-100% Red	0-255
	2	0-100% Green	0-255
	3	0-100% Blue	0-255
	4	0-100% White	0-255
Mode 5 Channel- "RGBW 5CH"			
#2	1	0-100% Red	0-255
	2	0-100% Green	0-255
	3	0-100% Blue	0-255
	4	0-100% White	0-255
	5	0-100% Dimmer	0-255
Mode 6 Channel- "RGBW 6CH"			
#3	1	0-100% Red	0-255
	2	0-100% Green	0-255
	3	0-100% Blue	0-255
	4	0-100% White	0-255
	5	0-100% Dimmer	0-255
	6	No Strobe	0-5
		0-100% Strobe	6-250
100% Strobe	251-255		
Mode 4 Channel- "RGBW MIX"			
#4	1	0-100% Red	0-255
	2	0-100% Green	0-255
	3	0-100% Blue	0-255
	4	0-100% Calibrated White (affects RGB channels)	0-255
DYNAMIC WHITE DMX MODES			
MODE	CHANNEL	FUNCTION	VALUE
Mode 2 Channel- "Dynamic White 2CH"			
#1	1	Warm White 100% / Cold White 0%	0-003
		Warm White 100% / Cold White 0%-100%	004-122
		Warm White 100% / Cold White 100%	123-132
		Warm White 100%-0% / Cold White 100%	133-251
	Warm White 0% / Cold White 100%	252-255	
2	Dimmer 0-100%	0-255	
Mode 2 Channel- "Separate White 2CH"			
#2	1	0%-100% Warm White	0-255
	2	0%-100% Cold White	0-255

Note: In the absense of DMX signal, LEDs will remain on.