

# HALF MOON RECESSED

Dynamic White | RGBW



## DESCRIPTION

With extreme design flexibility and high aesthetic impact, the HALF MOON RECESSED is a perfect in-grade solution for illuminating paths, walkways, entrances, or distinctive illumination of architectural or landscape elements. Recess depth is 3" allowing for easy installation in any element. The power to create intense emotions through different shades and colors of light is excentuated with a two flush-mount sizes with stainless steel frame. Luminaire is IP68 rated and is resistant to submersion to a maximum depth of 4.9' for up to 30 minutes. Remote power supply is available separately.



Standard Trim RGBW



Trimless Dynamic White

Date: \_\_\_\_\_ Type: \_\_\_\_\_ Catalog Number: \_\_\_\_\_

Project Name: \_\_\_\_\_

## ORDERING INFORMATION

LUMINAIRE					
MODEL	TRIM	CCT	CONTROL	VOLTAGE	OPTIC *
MOONHF-R Half Moon Recessed	<b>STD</b> Standard Trim ø50mm / 2.0"	<b>RGBW30K</b> RGBW 3000K White	<b>DMX-RDM</b> DMX/RDM	<b>UNV</b> 120 - 277V	<b>OPAL</b> Opaline Glass 55°
	<b>TRMLSS</b> Trimless ø39mm / 1.5"	<b>RGBW40K</b> RBGW 4000K White			
		<b>DW</b> Dynamic White (3000K to 6500K)			

\*Consult factory for availability of other optical options.

See Page 4 for ordering information of available accessories.

# HALF MOON RECESSED

Dynamic White | RGBW



		HALF MOON RECESSED	
		STANDARD TRIM	TRIMLESS
PHYSICAL	HOUSING	Stainless Steel Flange and Body	
	LENS	Tempered Glass	
	LOAD BEARING CAPACITY	4409 Pounds	Walk Over Only
	DRIVER LOCATION	Remote (Sold Separately)	
	DIMENSIONS	ø1.96" x 1.8" H	ø1.5" x 1.8" H
	WEIGHT	0.99 Pounds	0.9 Pounds
	OPERATING TEMPERATURE	-40°F to 104°F (-40°C to 40°C)	

ELECTRICAL	POWER	1.5 Watts	
	CURRENT	0.013 amps at 120 volts 0.005 amps at 277 volts	
	CONTROL	DMX/RDM	
	CABLE	Power & DMX Cable Without Connectors	
	CABLE LENGTH	39.3"	

PHOTOMETRIC	LED	RGBW 3000K	RGBW 4000K	Dynamic White (3000K-6500K)
	DELIVERED LUMEN OUTPUT	up to 11 lumens	up to 13 lumens	up to 22 lumens
	EFFICACY	up to 7 lumens per watt	up to 9 lumens per watt	up to 15 lumens per watt
	LUMEN MAINTENANCE	L70 > 55,000 Hours at 77°F*		

LIGHT DISTRIBUTIONS	DATA	RGBW 3000K	RGBW 4000K	DYNAMIC WHITE
	LUMENS	11	13	22
	EFFICACY	7	9	15
	MAX. CANDELA	10.7	12.4	21.2

Values based on full output.

CERTIFICATIONS	SAFETY	ETL Certified for Wet Locations		
	INGRESS PROTECTION	IP68		
	IMPACT RATING	IK09		
	WARRANTY	Five Year Limited Warranty		

\* LED life may vary under actual field conditions due to external factors. Lifetime estimates are generated from actual testing in a controlled environment. Values are conservatively derived from those numbers.

# HALF MOON RECESSED

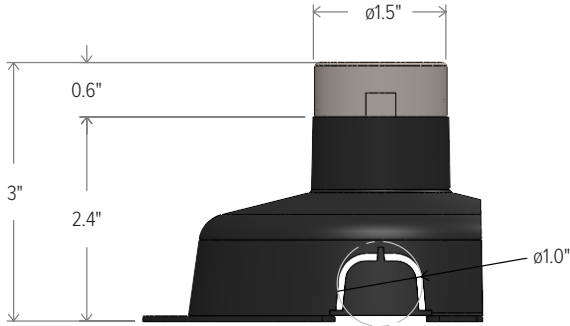
Dynamic White | RGBW



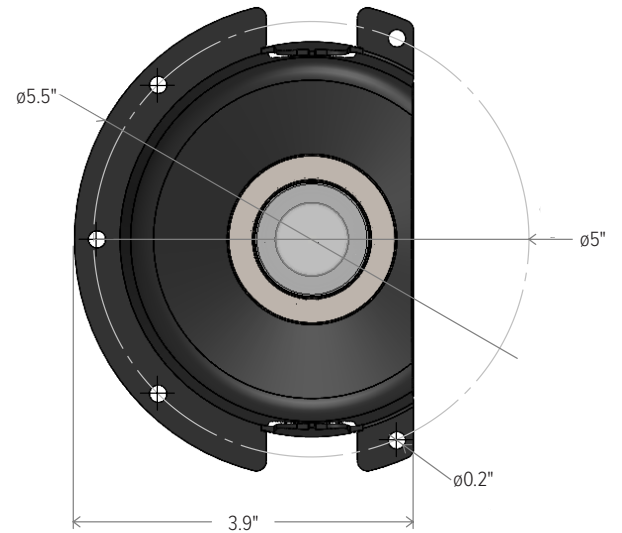
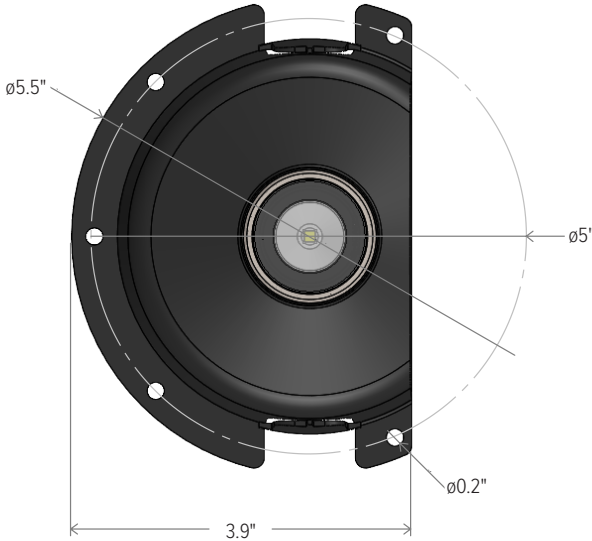
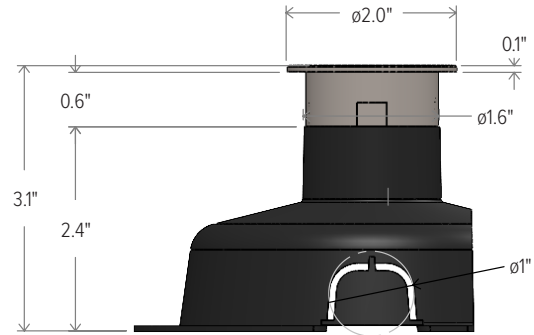
## DIMENSIONS

All dimensions are shown in inches unless otherwise noted.

*Half Moon Recessed - Standard Trim*



*Half Moon Recessed - Trimless*



# HALF MOON RECESSED

Dynamic White | RGBW

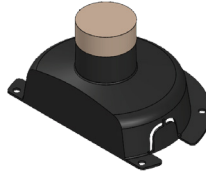


## ACCESSORIES

NOTE: Accessories are ordered and shipped separately from luminaire for field installation.



**MOONHF-R-DRP-RIB**  
Recessed Drop-In Rough-In Box



**MOONHF-R-RIB**  
Recessed Rough-In Box



**MOONHF-R-SC**  
Suction Cup

Consult factory for available remote power supply units.

# HALF MOON RECESSED

Dynamic White | RGBW



## PHOTOMETRICS

NOTE: Values shown below reflect Dynamic White CCT.  
For RGBW 3000K, apply a 0.50 prorate factor. For RGBW 4000K, apply a 0.58 prorate factor.

