

HALF MOON RECESSED

Static White



DESCRIPTION

With extreme design flexibility and high aesthetic impact, the HALF MOON RECESSED is a perfect in-grade solution for illuminating paths, walkways, entrances, or distinctive illumination of architectural or landscape elements. Recess depth is 3" allowing for easy installation in any element. The power to create intense emotions through different shades and colors of light is excentuated with a two flush-mount sizes with stainless steel frame. Luminaire is IP68 rated and is resistant to submersion to a maximum depth of 4.9' for up to 30 minutes. Remote power supply is available separately.



Standard Trim 3000K



Trimless 4000K

Date: _____ Type: _____ Catalog Number: _____

Project Name: _____

ORDERING INFORMATION

LUMINAIRE						
MODEL	TRIM	CCT	CONTROL	VOLTAGE	OPTIC *	OPTION
MOONHF-R Half Moon Recessed	STD Standard Trim ø50mm / 2.0"	27K 2700K	DIM 0-10v Dimming	UNV 120 - 277V	NB Narrow 15°	LVR Internal Honeycomb Louver
	TRMLSS Trimless ø39mm / 1.5"	30K 3000K			MB Medium 24°	
		40K 4000K			WB Wide 45°	

*Consult factory for availability of other optical options.

See Page 4 for ordering information of available accessories.

HALF MOON RECESSED

Static White



		HALF MOON RECESSED	
		STANDARD TRIM	TRIMLESS
PHYSICAL	HOUSING	Stainless Steel Flange and Body	
	LENS	Tempered Glass	
	LOAD BEARING CAPACITY	4409 Pounds	Walk Over Only
	DRIVER LOCATION	Remote (Sold Separately)	
	DIMENSIONS	ø1.96" x 1.8" H	ø1.5" x 1.8" H
	WEIGHT	0.99 Pounds	0.9 Pounds
	OPERATING TEMPERATURE	-40°F to 104°F (-40°C to 40°C)	

ELECTRICAL	POWER	2.5 Watts
	CURRENT	0.02 amps at 120 volts 0.009 amps at 277 volts
	CONTROL	0-10v Dimming with Remote Driver
	CABLE	Power In
	CABLE LENGTH	39.3"

PHOTOMETRIC	LED	2700K	3000K	4000K
	DELIVERED LUMEN OUTPUT	up to 214 lumens	up to 229 lumens	up to 229 lumens
	EFFICACY	up to 86 lumens per watt	up to 92 lumens per watt	up to 92 lumens per watt
	LUMEN MAINTENANCE	L70 > 55,000 Hours at 77°F*		

LIGHT DISTRIBUTIONS	CCT	DATA	DISTRIBUTION / BEAM ANGLE		
			Narrow	Medium	Wide
			15°	24°	45°
2700K	LUMENS	212	212	214	
	EFFICACY	85	85	86	
	MAX. CANDELA	2464	1030	326	
3000K	LUMENS	228	227	229	
	EFFICACY	91	91	92	
	MAX. CANDELA	2651	1103	349	
4000K	LUMENS	228	227	229	
	EFFICACY	91	91	92	
	MAX. CANDELA	2651	1103	349	

Values based on full output.

CERTIFICATIONS	SAFETY	ETL Certified for Wet Locations
	INGRESS PROTECTION	IP68
	IMPACT RATING	IK09
	WARRANTY	Five Year Limited Warranty

* LED life may vary under actual field conditions due to external factors. Lifetime estimates are generated from actual testing in a controlled environment. Values are conservatively derived from those numbers.

HALF MOON RECESSED

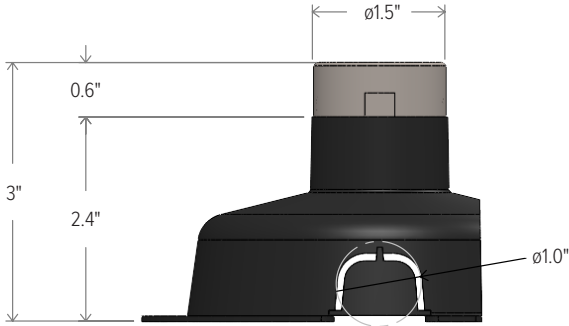
Static White



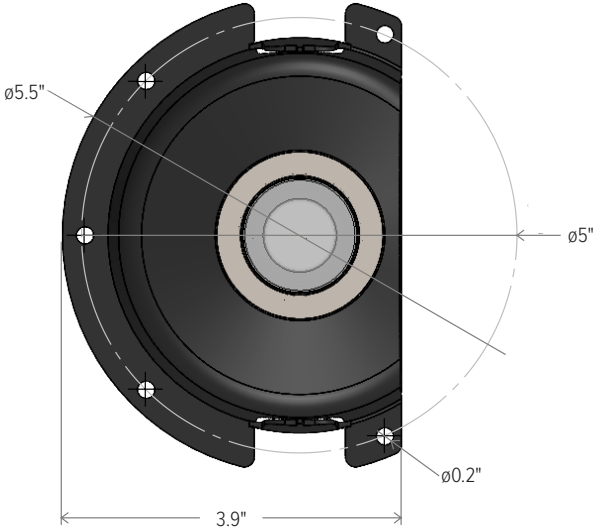
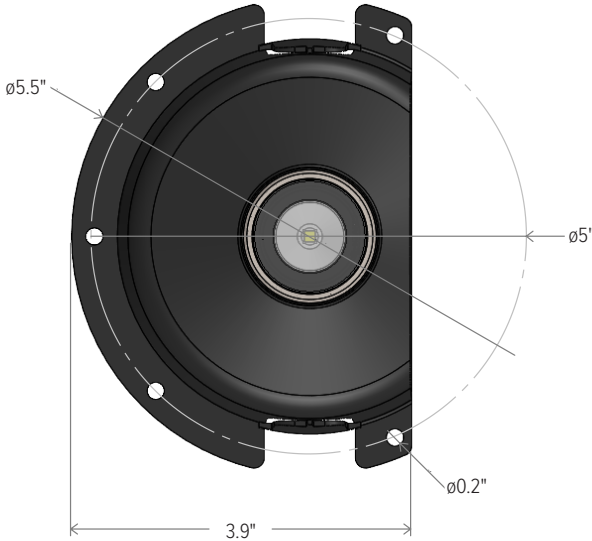
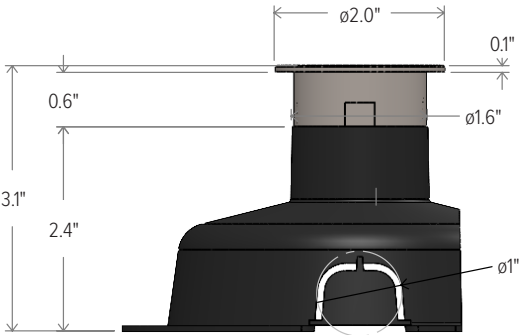
DIMENSIONS

All dimensions are shown in inches unless otherwise noted.

Half Moon Recessed - Standard Trim



Half Moon Recessed - Trimless



HALF MOON RECESSED

Static White

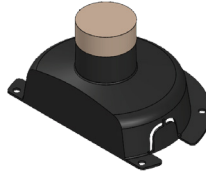


ACCESSORIES

NOTE: Accessories are ordered and shipped separately from luminaire for field installation.



MOONHF-R-DRP-RIB
Recessed Drop-In Rough-In Box



MOONHF-R-RIB
Recessed Rough-In Box



MOONHF-R-SC
Suction Cup

Consult factory for available remote power supply units.

HALF MOON RECESSED

Static White



PHOTOMETRICS

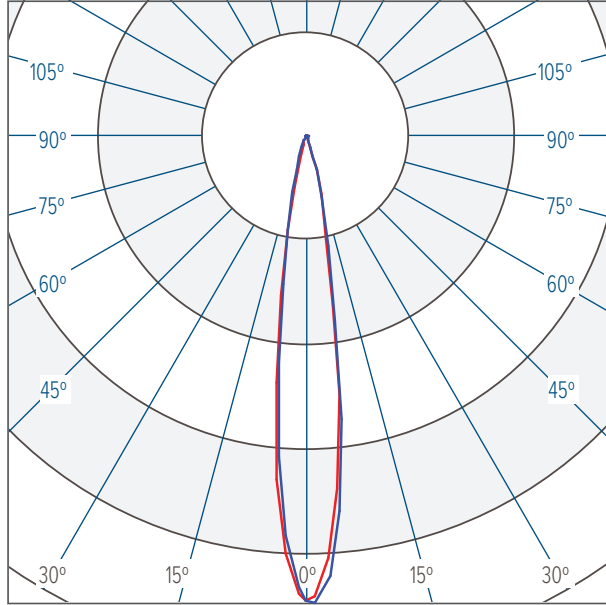
NOTE: Values shown below reflect 3000K and 4000K CCT.

For 2700K, apply a 0.93 prorate factor for Narrow and Medium Beams, or 1.00 for Wide Beam.

NARROW 15°

CBCP 2651 / 228 lumens

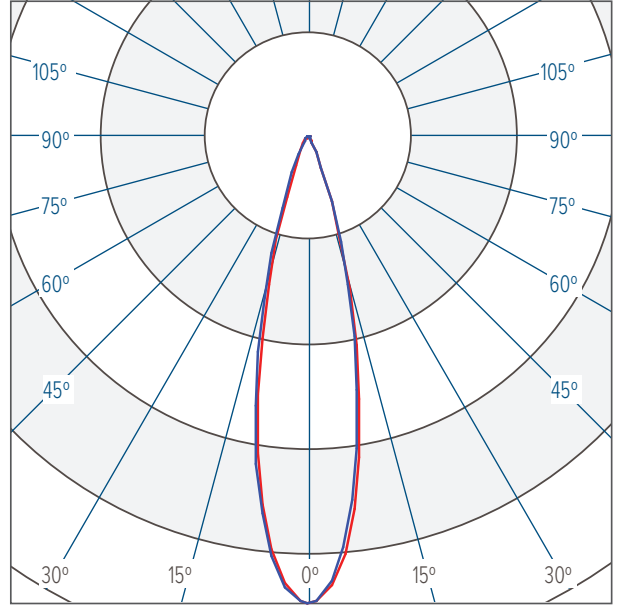
Horizontal
Vertical



MEDIUM 24°

CBCP 1103 / 227 lumens

Horizontal
Vertical



WIDE 45°

CBCP 349 / 229 lumens

Horizontal
Vertical

