

HALF MOON SURFACE

Dynamic White | RGBW



DESCRIPTION

HALF MOON is a remarkably compact luminaire designed to elevate outdoor environments with subtlety and sophistication by creating exquisite accent lighting effects. Its external power supply unit allows for easy installation even in tight spaces while enabling the simultaneous control of multiple units. With an opaline diffuser to precisely highlight exterior elements, Half Moon enhances the beauty of landscape and architectural details. It is available in five trendy finishes with an elegant brass or monochrome swivel, available with a sleek cover for convenient wall or floor installation.



Date: _____ Type: _____ Catalog Number: _____

Project Name: _____

ORDERING INFORMATION

LUMINAIRE								
MODEL	SWIVEL	CCT	CONTROL	CABLE	VOLTAGE	OPTIC *	FINISH	OPTION
MOONHF-SF Half Moon Surface	BS Brass Swivel	RGBW30K RGBW 3000K White	DMX-RDM DMX/RDM	M Monocable Without Connectors (39.3")	UNV 120 - 277V	OPAL Opaline Glass Lens 55° Beam	AG Anthracite Grey	AST Anti-Saline Treatment
	OT One Tone Finish	RGBW40K RGBW 4000K White					BL Black	
		DW Dynamic White (3000K to 6500K)					SG Griven Silver Grey	
							OG Olive Grey	
							WH White	
							CC Custom RAL Color	

*Consult factory for availability of other optical options.

See Page 4 for ordering information of available accessories.

HALF MOON SURFACE

Dynamic White | RGBW



		HALF MOON SURFACE
PHYSICAL	HOUSING	Die-Cast Aluminum
	LENS	Opaline Tempered Glass
	SWIVEL	Brass
	DRIVER LOCATION	Remote (Sold Separately)
	DIMENSIONS (90° Housing Orientation)	3.91" L x ø1.26" (housing)
	WEIGHT	0.44 Pounds
	OPERATING TEMPERATURE	-40°F to 122°F (-40°C to 50°C)

ELECTRICAL	POWER	3.5 Watts
	CURRENT	0.03 amps at 120 volts 0.01 amps at 277 volts
	CONTROL	DMX/RDM
	CABLE	Power & DMX Cable Without Connectors
	CABLE LENGTH	39.3"

PHOTOMETRIC	LED	Dynamic White (3000K-6500K)	RGBW 3000K	RGBW 4000K
	DELIVERED LUMEN OUTPUT	up to 56 lumens	up to 28 lumens	up to 32 lumens
	EFFICACY	up to 16 lumens per watt	up to 8 lumens per watt	up to 9 lumens per watt
	LUMEN MAINTENANCE	L70 > 55,000 Hours at 77°F*		
	LIGHT CONTROL ACCESSORIES	Visor Available		

LIGHT DISTRIBUTIONS	CCT	LUMENS	EFFICACY	MAX. CANDELA
	Dynamic White	56	16	50
	RGBW 3000K	28	8	25
	RGBW 4000K	32	9	28

Values based on full output.

CERTIFICATIONS	SAFETY	ETL Certified for Wet Locations
	INGRESS PROTECTION	IP67
	IMPACT RATING	IK07
	WARRANTY	Five Year Limited Warranty

* LED life may vary under actual field conditions due to external factors. Lifetime estimates are generated from actual testing in a controlled environment. Values are conservatively derived from those numbers.

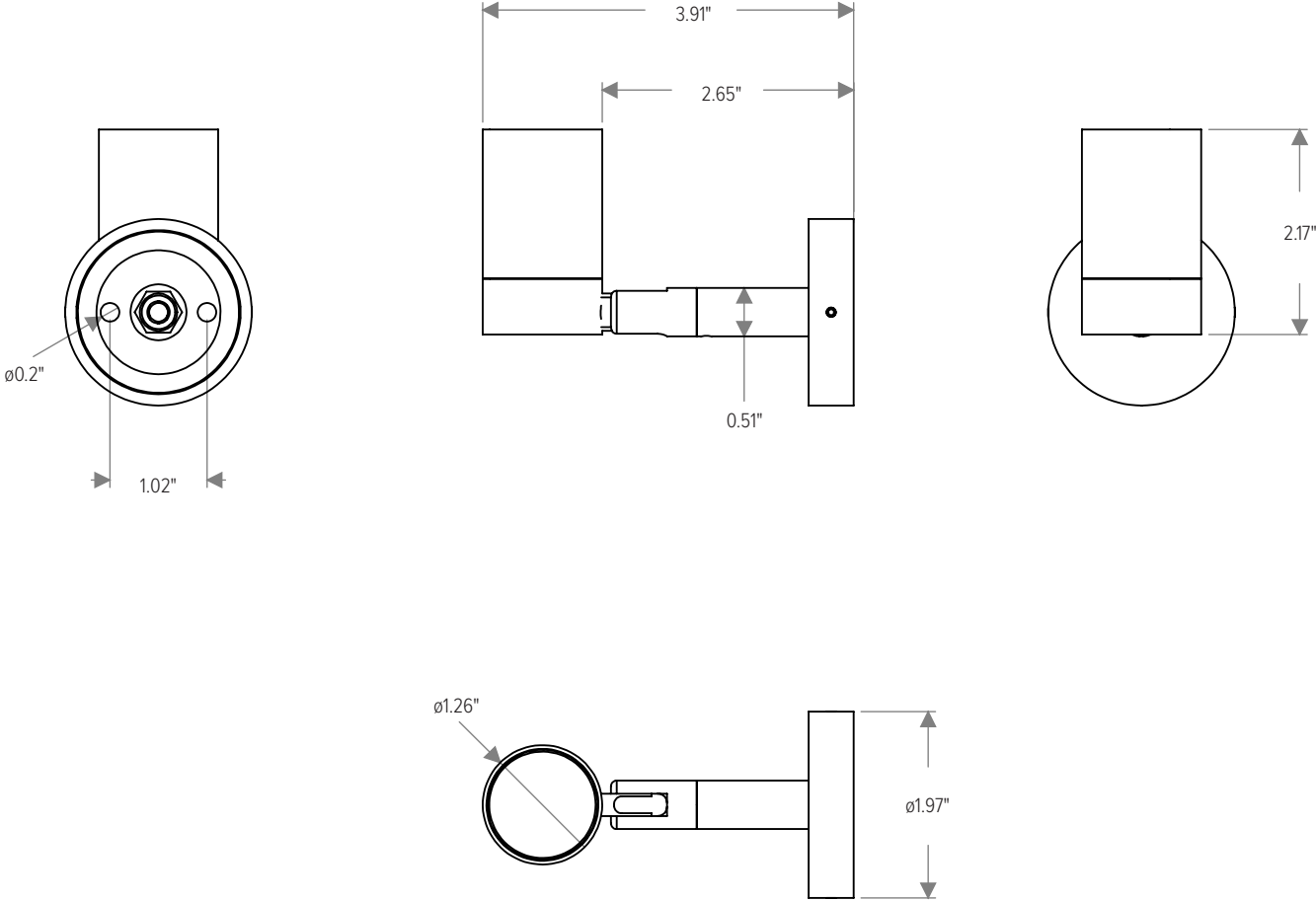
HALF MOON SURFACE

Dynamic White | RGBW



DIMENSIONS

All dimensions are shown in inches unless otherwise noted.



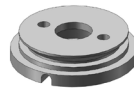
ACCESSORIES

NOTE: Accessories are ordered and shipped separately from luminaire for field installation.

-XX* indicates a painted accessory. See bottom of page for painted accessory ordering information.



MOONHF-VISOR-XX*
Visor



MOONHF-WLMT-XX*
Wall Mount Plate
for Side-Run Cable



MOONHF-PLMT-XX*
Pole/Tree Mount Kit

ORDERING INFORMATION

PAINTED ACCESSORIES

MODEL	FINISH (*-XX)	OPTION
MOONHF-VISOR Visor	AG Anthracite Grey	AST Anti-Saline Treatment
MOONHF-WLMT Wall Mount Plate	BL Black	
MOONHF-PLMT Pole/Tree Mount Kit	SG Griven Silver Grey	
	OG Olive Grey	
	WH White	
	CC Custom RAL Color	

Consult factory for information about available remote power supply units.

HALF MOON SURFACE

Dynamic White | RGBW

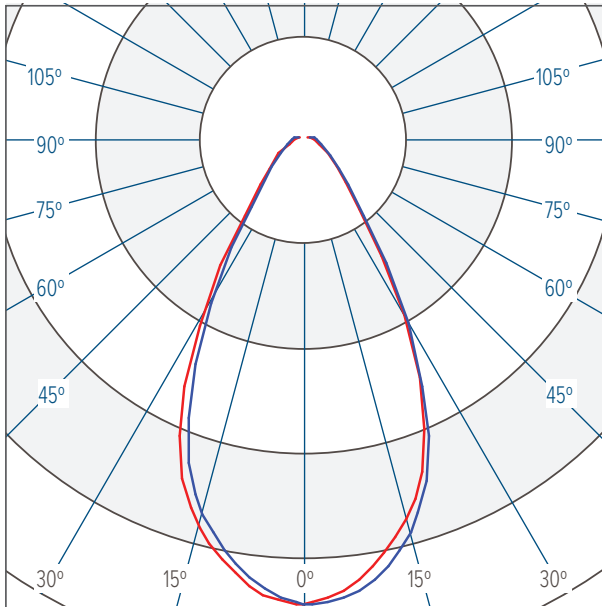


PHOTOMETRICS

RGBW 3000K 55°

CBCP 25 / 28 lumens

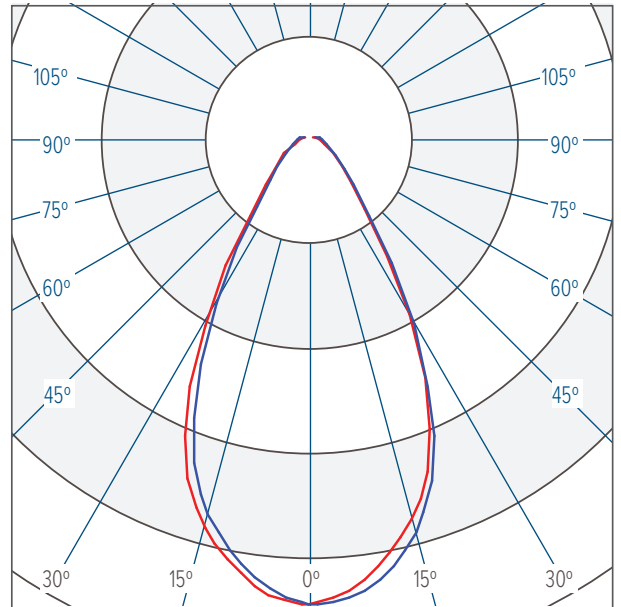
Horizontal
Vertical



RGBW 4000K 55°

CBCP 28 / 32 lumens

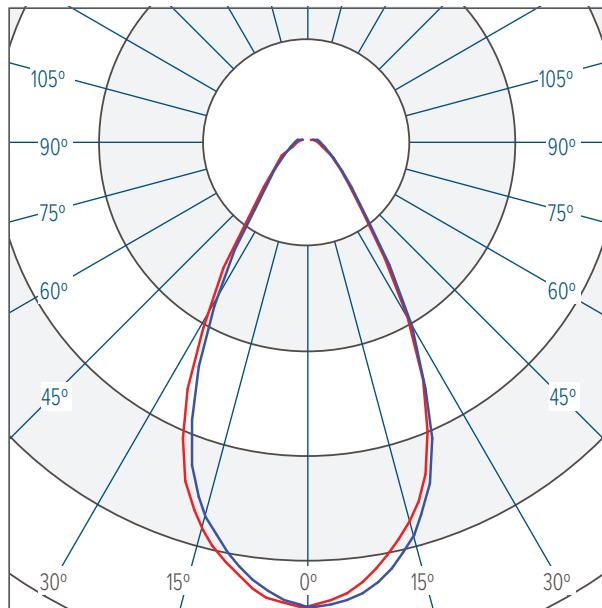
Horizontal
Vertical



DYNAMIC WHITE 55°

CBCP 50 / 56 lumens

Horizontal
Vertical



HALF MOON SURFACE

Dynamic White | RGBW



RGBW DMX MODES			
MODE	CHANNEL	FUNCTION	VALUE
Mode 4 Channel- "RGBW 4CH"			
#1	1	0-100% Red	0-255
	2	0-100% Green	0-255
	3	0-100% Blue	0-255
	4	0-100% White	0-255
Mode 5 Channel- "RGBW 5CH"			
#2	1	0-100% Red	0-255
	2	0-100% Green	0-255
	3	0-100% Blue	0-255
	4	0-100% White	0-255
	5	0-100% Dimmer	0-255
Mode 6 Channel- "RGBW 6CH"			
#3	1	0-100% Red	0-255
	2	0-100% Green	0-255
	3	0-100% Blue	0-255
	4	0-100% White	0-255
	5	0-100% Dimmer	0-255
	6	No Strobe	0-5
		0-100% Strobe	6-250
100% Strobe	251-255		
Mode 4 Channel- "RGBW MIX"			
#4	1	0-100% Red	0-255
	2	0-100% Green	0-255
	3	0-100% Blue	0-255
	4	0-100% Calibrated White (affects RGB channels)	0-255
DYNAMIC WHITE DMX MODES			
MODE	CHANNEL	FUNCTION	VALUE
Mode 2 Channel- "Dynamic White 2CH"			
#1	1	Warm White 100% / Cold White 0%	0-003
		Warm White 100% / Cold White 0%-100%	004-122
		Warm White 100% / Cold White 100%	123-132
		Warm White 100%-0% / Cold White 100%	133-251
	Warm White 0% / Cold White 100%	252-255	
2	Dimmer 0-100%	0-255	
Mode 2 Channel- "Separate White 2CH"			
#2	1	0%-100% Warm White	0-255
	2	0%-100% Cold White	0-255

Note: In the absense of DMX signal, LEDs will remain on.



www.Griven-USA.com

For other Experience® Brands companies, please visit www.experiencebrandsusa.com.

In a continuing effort to offer the best product possible, we reserve the right to change, without notice, specifications or materials. Technical specification sheets that appear on www.griven-usa.com are the most recent ones available.