

JUPITER B REMOTE

Floodlight



DESCRIPTION

JUPITER B REMOTE is a versatile medium-throw, exterior surface mounted floodlight distinguished by excellent luminous efficacy. The IP67 rated luminaire works with external 48vDC power supplies and is the ideal solution for applications which do not require DMX/RDM functionality. The JUPITER B REMOTE offers remarkable design flexibility, featuring eight optical configurations and optional light control accessories such as snoot, visor, and internal honeycomb louvers. The luminaire has a lightweight compact die-cast aluminum body with an elegant screen-printed front glass with no visible screws for a modern clean appearance with minimum impact on the urban landscape. Anthracite, silver grey, black, or white finishes are available as standard options, along with a choice of natural and warm white LED color temperatures.



Date: _____ Type: _____ Catalog Number: _____

Project Name: _____

ORDERING INFORMATION

LUMINAIRE						
MODEL	CCT	CABLE	OPTIC*		FINISH	OPTION
JUPI-BR Jupiter B Remote	27K 2700K	P 59" Cable Type P: Power in	SP Spot 12°	EW Extra Wide 61°	AG Anthracite Grey	AST Anti-Saline Treatment
	30K 3000K		NB Narrow 15°	ELH Elliptical 39° x 14°	BL Black	3G 3G Mounting Yoke
	40K 4000K		MB Medium 25°	ELWH Elliptical Wide 37° x 22°	SG Griven Silver Grey	LVR Internal Honeycomb Louver
			WB Wide 47°	WW Wall Wash 37° x 19° (5° incline)	WH White	
					CC Custom RAL Color	

*Consult factory for availability of optional spread patterns.

REMOTE POWER SUPPLY

RMTPS-UNV-96-48-N
Remote Power Supply for Single Luminaire, 120-277v, 96 Watts, 48Vdc, On/Off

RMTPS-UNV-90-48-D
Remote Power Supply for Single Luminaire, 120-277v, 90 Watts, 48Vdc, 0-10v Dimming

RMTPS-UNV-200-48-N
Remote Power Supply for Twin luminaires, 120-277v, 200 Watts, 48Vdc, On/Off

See page 7-9 for more information.

JUPITER B REMOTE

Floodlight



		JUPITER B REMOTE
PHYSICAL	HOUSING	Die-cast Aluminum
	OVERALL DIMENSIONS	7.3" width x 8.8" height x 5.3" diameter
	WEIGHT	6.2 lbs
	OPERATING TEMPERATURE	-40°C to 50°C (-40°F to 122°F)

ELECTRICAL	POWER CONSUMPTION	52 watts max.
	AMPERAGE	See page 7-9 for more information.
	CONTROL	Remote Driver (ordered separately)
	MODES	- Intensity (1 channel) - Stand-Alone Dimmer
	CABLE LENGTH	Power in (59 in.)

PHOTOMETRIC	LED	Static White (2700K, 3000K, or 4000K)
	# LEDES	16
	DELIVERED LUMEN OUTPUT	up to 5801 lumens
	EFFICACY	up to 111 lumens per watt
	LUMEN MAINTENANCE	L90 (10K) > 60000 hours
	# DISTRIBUTIONS	8
	LIGHT CONTROL ACCESSORIES	Visor, Snoot, Internal Honeycomb Louver

LIGHT DISTRIBUTIONS	DISTRIBUTION	BEAM ANGLE	2700K / 3000K		4000K	
			LUMENS	MAX. CANDELA	LUMENS	MAX. CANDELA
			Values based on full output.			
	SPOT	12°	5,386	71,127	5,801	76,608
	NARROW	15°	4,950	45,837	5,331	49,365
	MEDIUM	25°	4,936	23,123	5,316	24,903
	WIDE	47°	4,982	8,255	5,366	8,891
	EXTRA WIDE	61°	5,255	5,521	5,658	5,944
	ELLIPTICAL	39° x 14°	4,862	22,676	5,237	24,424
	ELLIPTICAL WIDE	37° x 22°	4,424	13,386	4,765	14,417
	WALL WASH	37° x 19° (5° incline)	4,435	16,214	4,776	17,461

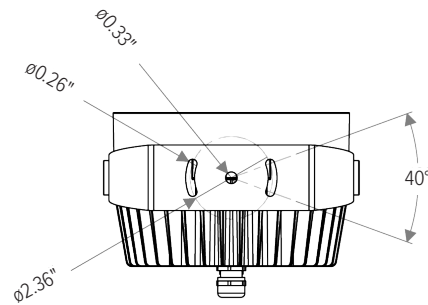
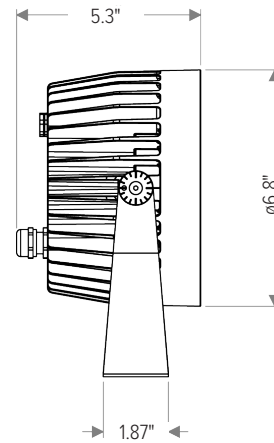
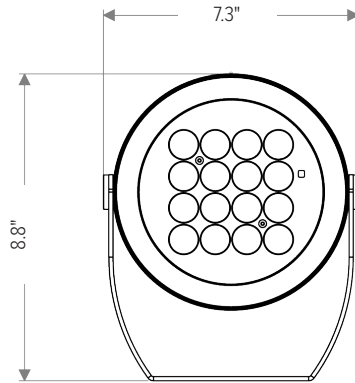
CERTIFICATIONS	SAFETY	ETL Listed for Wet Locations
	INGRESS PROTECTION	IP67
	IMPACT RATING	IK07

JUPITER B REMOTE Floodlight



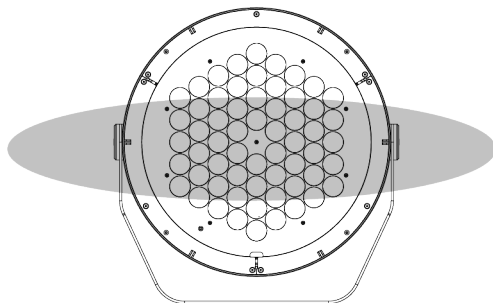
DIMENSIONS

All dimensions are shown in inches unless otherwise noted.

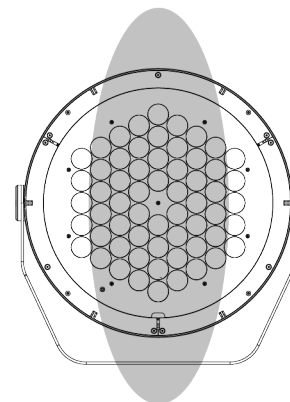


OPTIC ORIENTATION

Consult factory for availability of optional spreading patterns.



HORIZONTAL SPREAD (Standard)



VERTICAL SPREAD (On Request*)

*For Elliptical or Asymmetric Beam Spreads

JUPITER B REMOTE

Floodlight



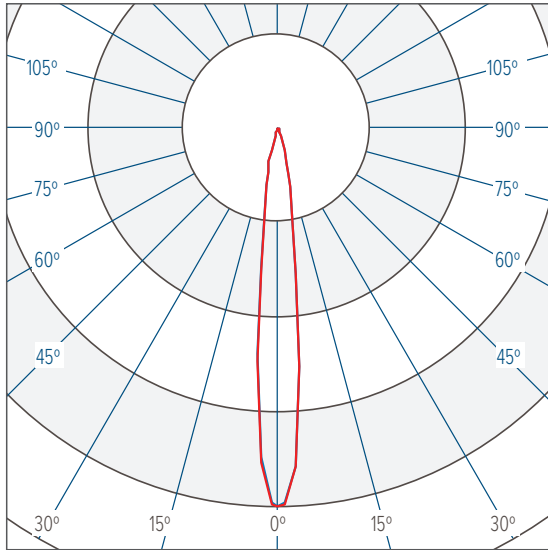
PHOTOMETRICS - STATIC WHITE CANDELA DISTRIBUTION

*Apply 1.077 Pro-Rate Factor For 4000K

SPOT 12°

CBCP 71127 @ 5386 lumens

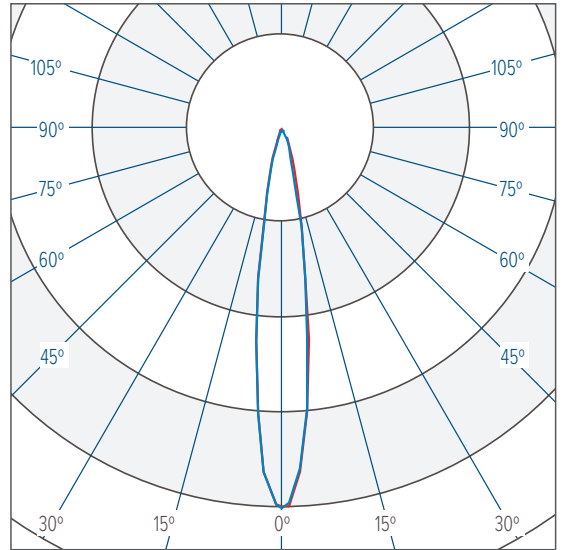
— Horizontal
— Vertical



NARROW 15°

CBCP 45837 @ 4950 lumens

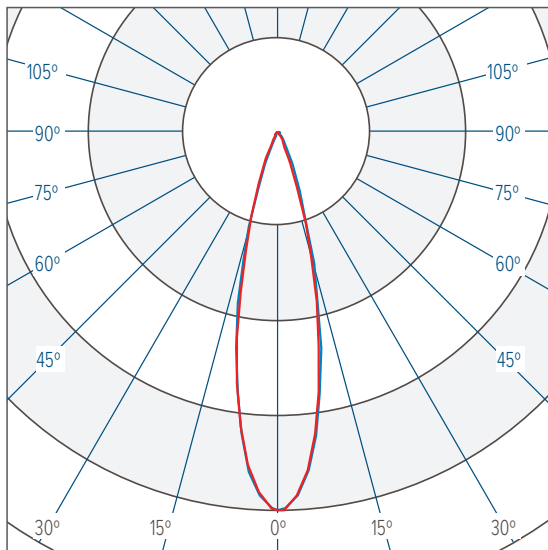
— Horizontal
— Vertical



MEDIUM 25°

CBCP 23123 @ 4936 lumens

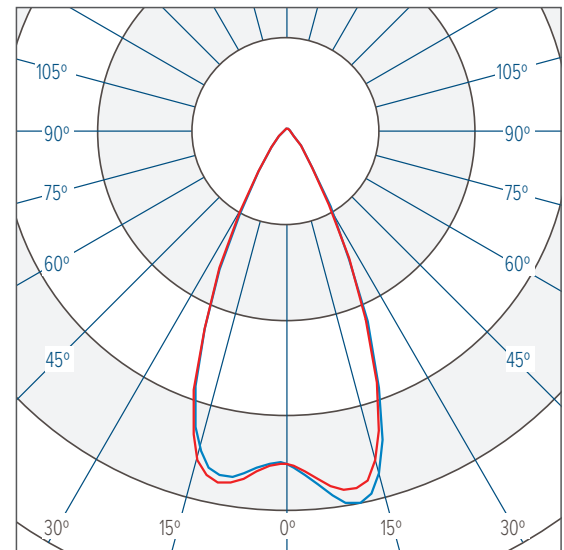
— Horizontal
— Vertical



WIDE 47°

CBCP 8255 @ 4982 lumens

— Horizontal
— Vertical



JUPITER B REMOTE

Floodlight



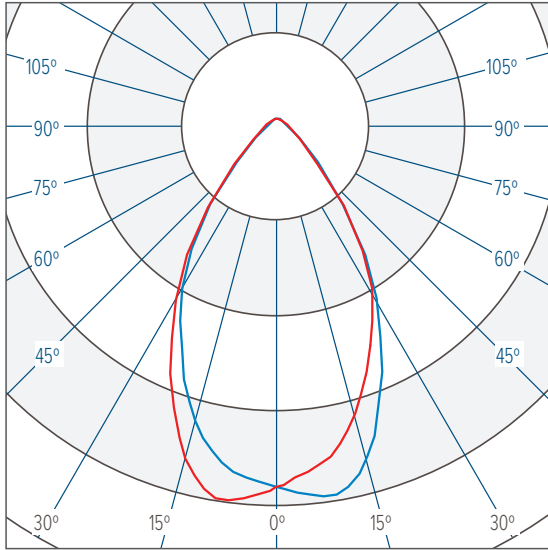
PHOTOMETRICS - STATIC WHITE CANDELA DISTRIBUTION

*Apply 1.077 Pro-Rate Factor For 4000K

EXTRA WIDE 61°

CBCP 5521 @ 5255 lumens

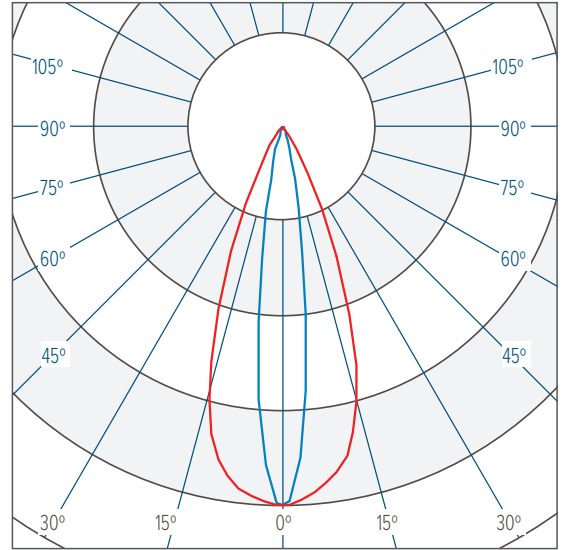
— Horizontal
— Vertical



ELLIPTICAL 39° x 14°

CBCP 22676 @ 4862 lumens

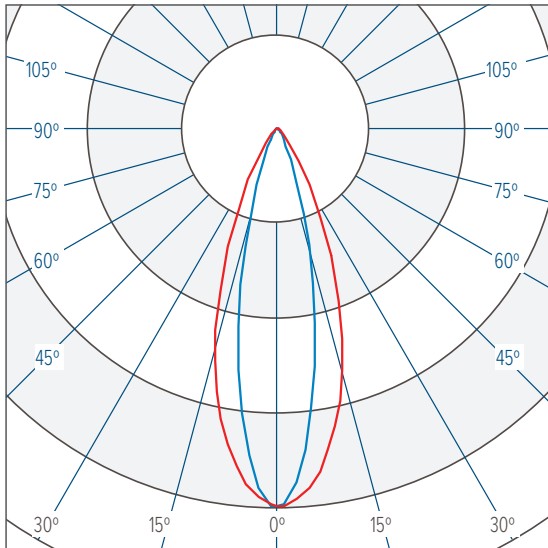
— Horizontal
— Vertical



ELLIPTICAL WIDE 37° x 22°

CBCP 13386 @ 4424 lumens

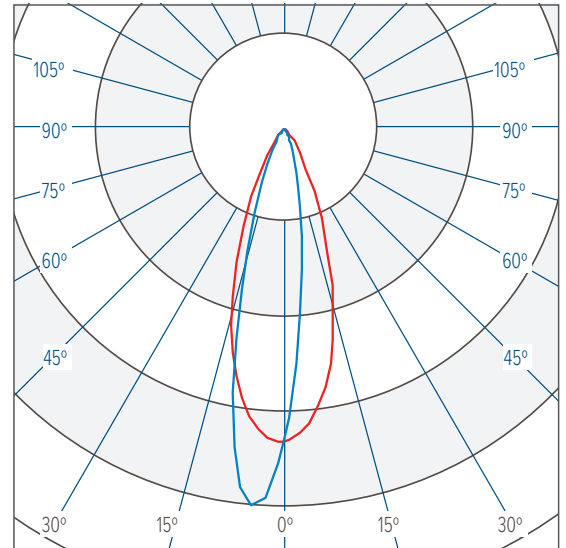
— Horizontal
— Vertical



WALL WASH 37° x 19° (5° TILT)

CBCP 16214 @ 4435 lumens

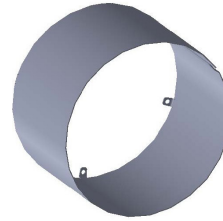
— Horizontal
— Vertical



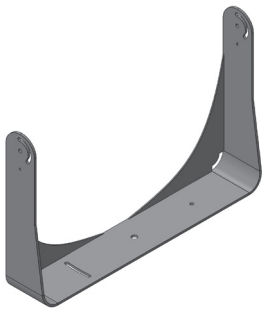
ACCESSORIES



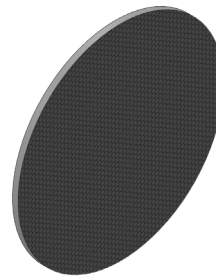
AL8281-XX*
Visor



AL8282-XX*
Snoot



AL8260-XX*
3G Mounting Yoke



AL8283-BL
Internal Honeycomb Louver
(Black)

*XX- ACCESSORY FINISHES

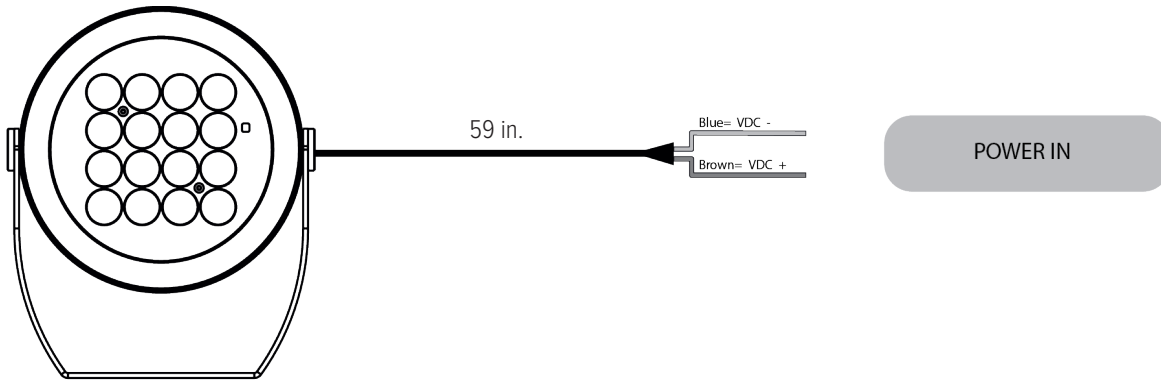
AG	Anthracite Grey
BL	Black
SG	Griven Silver Grey
WH	White
CC	Custom Color

JUPITER B REMOTE Floodlight



CONNECTION

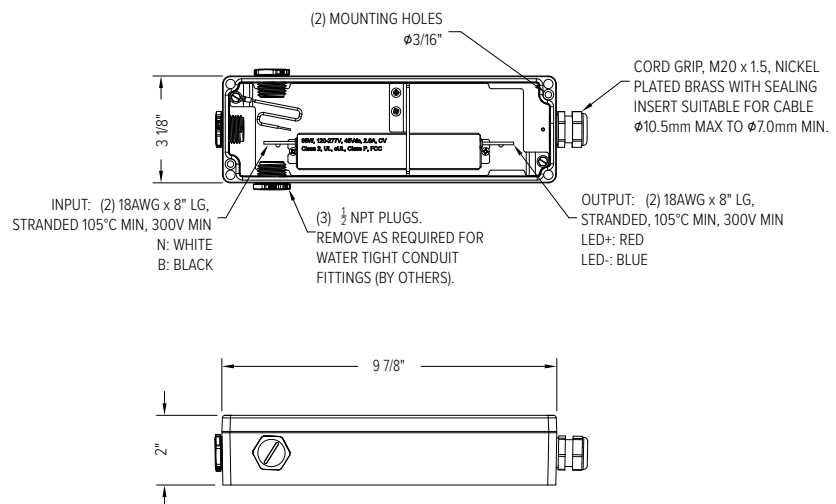
"P" Type Cable (Power In)



Note: The power and signal connections can be carried out by using the optional connection kit. Follow the instructions provided along with the connection kit.

REMOTE POWER SUPPLIES

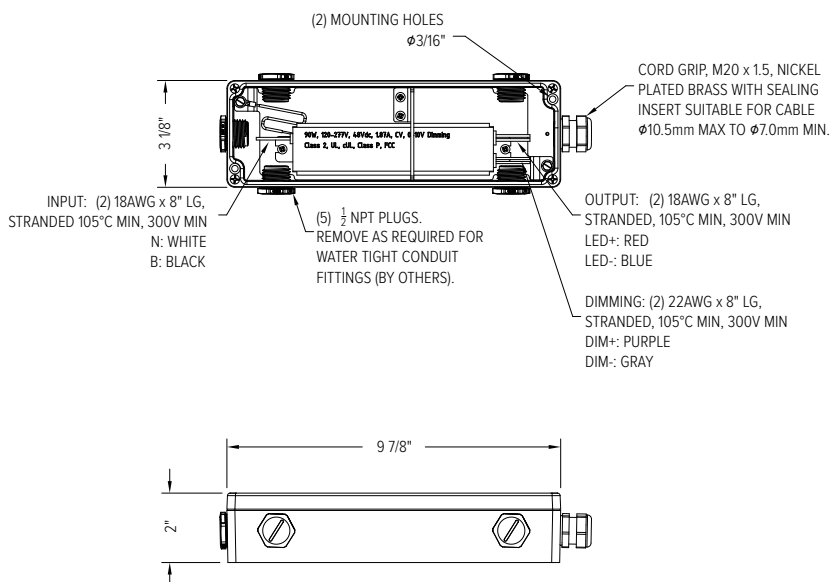
RMTPS-UNV-96-48-N											
Driver Type	Description	Nominal Input Voltage (VAC)	Number of Channels	P-Out Max (W)	V-Out Max (Vdc)	I-Out Min (A)	I-Out Max (A)	Open Loop Voltage (No Load Vout Max) (Vdc)	Fixture Cable	NPT Plugs	Enclosure
On/Off	Remote Power Supply for Single Luminaire, 120-277v, 96 Watts, 48v Output, On/Off	120 to 277	1	96	48	0.1	2.0	51.36	1 Cord Grip	(3) 1/2 NPT Plugs to be removed as required for 1/2 NPT water tight conduit fittings (by others)	Included, IP66 Rated



JUPITER B REMOTE Floodlight



RMTPS-UNV-90-48-D											
Driver Type	Description	Nominal Input Voltage (VAC)	Number of Channels	P-Out Max (W)	V-Out Max (Vdc)	I-Out Min (A)	I-Out Max (A)	Open Loop Voltage (No Load Vout Max) (Vdc)	Fixture Cable	NPT Plugs	Enclosure
0-10v Dimming	Remote Power Supply for Single Luminaire, 120-277v, 90 Watts, 48v Output, 0-10v Dimming	120 to 277	1	90	48	0.19	1.87	51.36	1 Cord Grip	(3) 1/2 NPT Plugs for 120/277v Circuit and (2) 1/2 NPT Plugs for dimming circuit to be removed as required for 1/2 NPT water tight conduit fittings (by others).	Included, IP66 Rated



JUPITER B REMOTE Floodlight



RMTPS-UNV-200-48-N

Driver Type	Description	Nominal Input Voltage (VAC)	Number of Channels	P-Out Max (W)	Constant Current Mode				Constant Voltage Mode				Max Output Power (per channel) (W)	Enclosure		
					Current Per Channel (A)	Compliance (LED) Voltage (Vdc)	I-Out Max (A)	Current Pot Adjustable Range (All Channels) (A)		Preset Vout (Vdc)	Load Range (per channel) (A)				Voltage Pot Adjustable Range (Vdc)	
								Min.	Max.		Min.	Max.			Min.	Max.
On/Off	Remote Power Supply for Two Luminaires, 120-277v, 200 Watts, 48v Output, On/Off	90-305	2	200	2.1	24	48	0.21	4.38	48	0	2.19	33.6	50.4	100	Integral to Driver; Plug and Play

