

DESCRIPTION

MICRO-DUNE MC accentuates finer exterior or interior architectural details and landscapes from a compact recessed ingrade luminaire. The 5.9" diameter luminaire features three quad-color LEDs for optimum color blending of RGBW, RGBA, or dynamic white in narrow, medium, or wide distributions. The luminaire is suitable for accenting or providing an additional layer of light to scenes for added visual interest. Remote power supply allows multiple fixtures per supply and keeps housing as compact as possible for maximum design flexibility. The IP67 rated luminaire is suitable for wet locations. Maximum power consumption is 13.5 watts. All hardware is stainless steel.





Date: _____ Type: _____ Catalog Number: _____

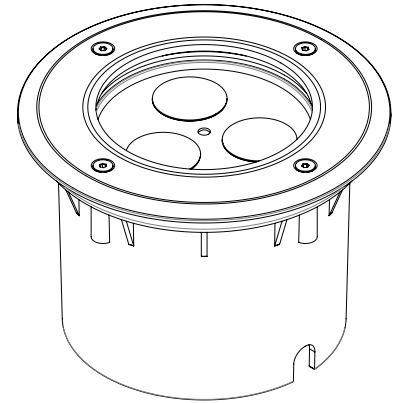
Project Name: _____

ORDERING INFORMATION

LUMINAIRE				
MODEL	COLOR	VOLTAGE	OPTIC	OPTION
MC150 Micro-Dune MC	RGBW - RGB with 4000K White	UNV - 24-48vv DC	NB - Narrow 16°	SD - Spreading Diffuser
	RGBA - RGB with Amber		MB - Medium 29°	
	DW- Dynamic White (3000K-6500K)		WB - Wide 36°	

PRODUCT SPECIFICATIONS

Housing	Die-cast aluminum body with powder coat. Stainless steel trim ring.
Mounting	Recessed ingrade
Optics	Narrow 16°, Medium 29°, Wide 36°
Color	RGBW (4000K White), RGBA (Amber), Dynamic White (3000K-6500K)
Lumen Output (RGBW)	357 lms @ 16° / 339 lms @ 29° / 245 lms @ 36°
Lumen Output (DW)	585 lms @ 16° / 558 lms @ 29° / 404 lms @ 36°
Power Consumption	13.5 watts
Efficacy	Up to 26.4 lm/W RGBW & 43 lm/W Dynamic White
Lumen Maintenance	100,000 hours L70 @ 25° C*
Operating Temperature	-40° to 122° F (-40° to 50° C)
Weight	1.43 lbs. (.65 kg)
Certification	IK07 /  / 
Ingress Protection	Wet location rated IP67
Control	DMX 512 (RDM E1.20). Wireless interface available.
Additional Features	Automatic overtemperature protection



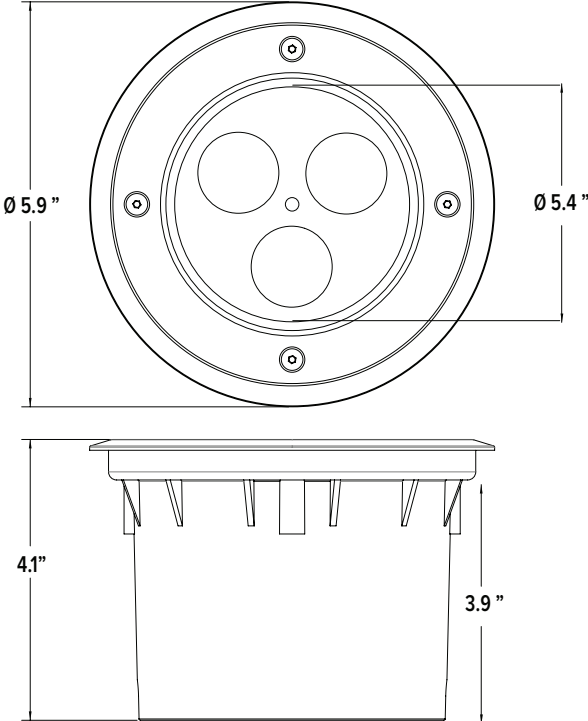
* LED life may vary under actual field conditions due to external factors. Lifetime estimates are generated from actual testing in a controlled environment. Given values are conservatively derived from those numbers.

REMOTE LED DRIVER SPECIFICATIONS

Input Voltage	90-305 Vac @ 50/60Hz
Output Voltage	48 Vdc
Power Factor	> 0.90
Operating Temperature	-40°C to 60°C (-40°F to 140°F)
Channel Outputs	1 or 2 at 100 watts per channel depending on model
Certification	UL / cUL Listed

DIMENSIONS

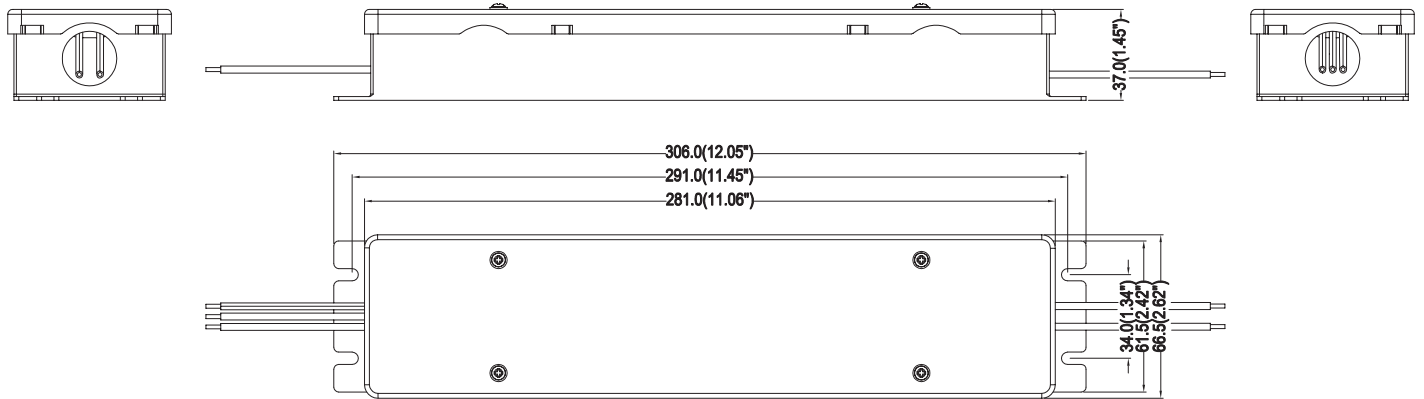
All dimensions are shown in inches unless otherwise noted.



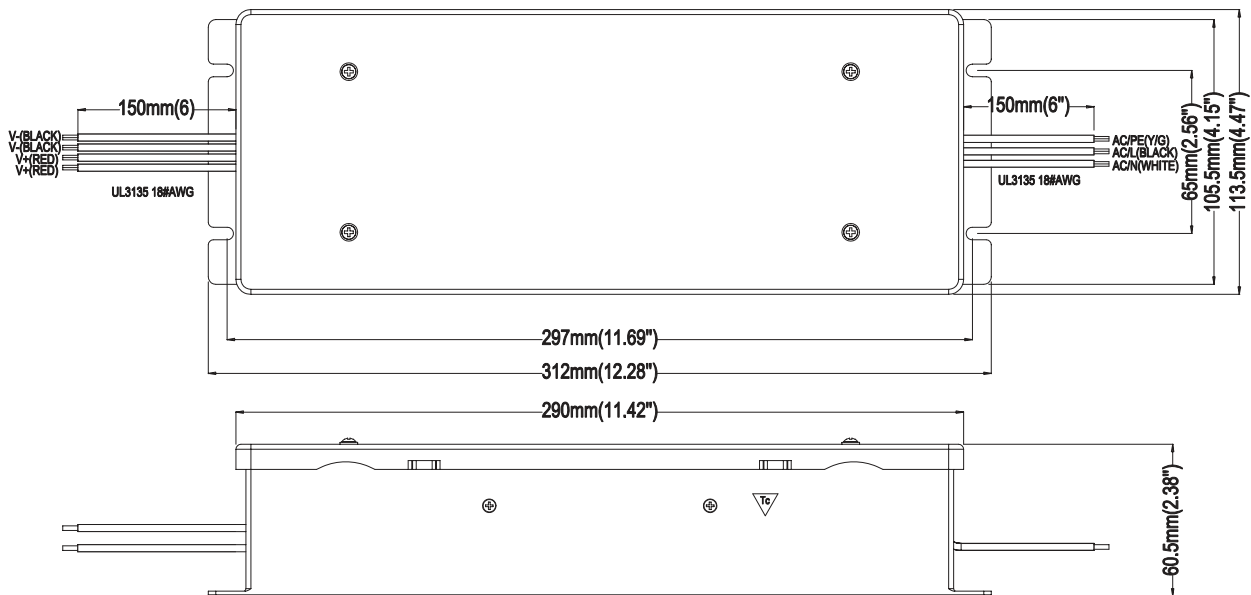
DIMENSIONS — REMOTE DRIVER

All dimensions are shown in inches unless otherwise noted.

100 WATT, SINGLE CHANNEL OUTPUT



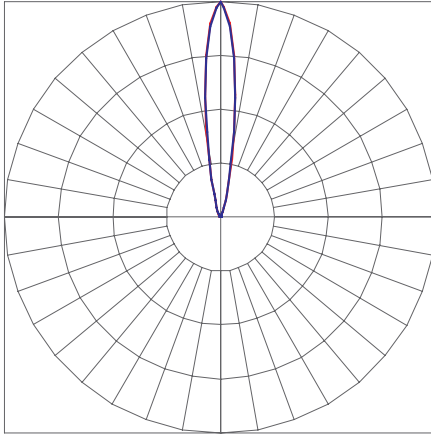
200 WATT, TWO CHANNEL OUTPUT



PHOTOMETRICS

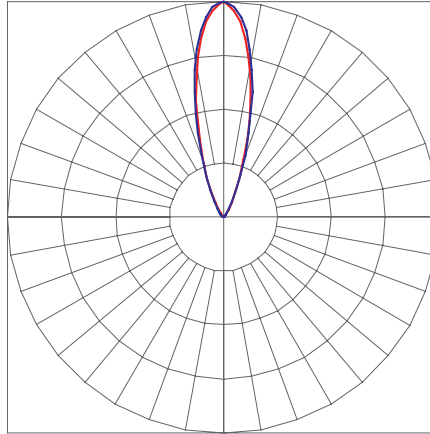
CANDELA DISTRIBUTION - RGBW

NARROW: 16°



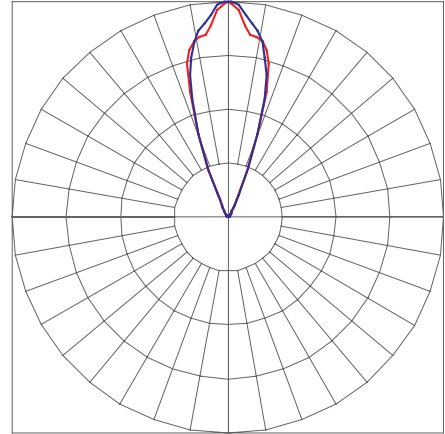
— HORIZONTAL
— VERTICAL CBCP 3305 / 357 LM

MEDIUM: 29°



— HORIZONTAL
— VERTICAL CBCP 1061 / 339 LM

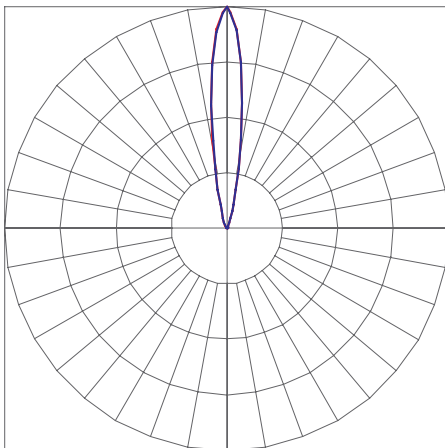
WIDE: 36°



— HORIZONTAL
— VERTICAL CBCP 681 / 245 LM

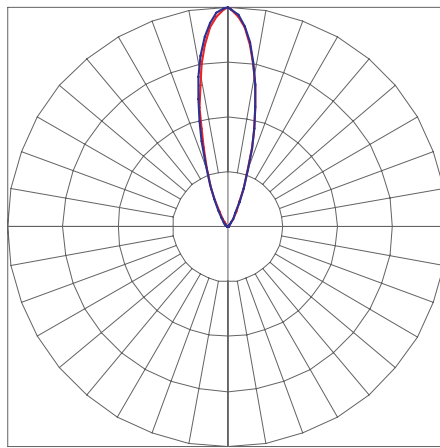
CANDELA DISTRIBUTION - DYNAMIC WHITE

NARROW: 16°



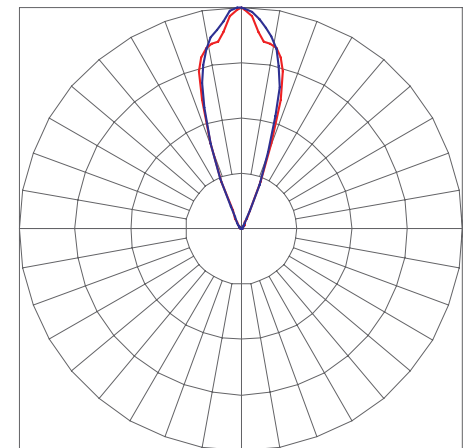
— HORIZONTAL
— VERTICAL CBCP 5417 / 585 LM

MEDIUM: 29°



— HORIZONTAL
— VERTICAL CBCP 1747 / 558 LM

WIDE: 36°



— HORIZONTAL
— VERTICAL CBCP 1123 / 404 LM