

DESCRIPTION

MOON MARINE is an advanced LED luminaire designed to enhance landscape and architectural features located near coastal regions. This adaptable luminaire provides decorative and functional lighting with smart color management. Corrosion resistant stainless steel or brass materials ensure the longevity of the luminaire even in harsh, salt water areas. Four optical options are available ranging from Narrow to Extra Wide beam spreads. Use of an external power supply enables easy management of multiple units. Electropolishing and clear coating are available on request.



Date: _____ Type: _____ Catalog Number: _____

Project Name: _____

ORDERING INFORMATION

LUMINAIRE						
MODEL	MATERIAL	CCT	CONTROL	VOLTAGE	OPTIC	OPTION
MOON-MR Moon Marine	SS Stainless Steel	RGBW30K RGBW 3000K White	DMX-RDM DMX/RDM	UNV 120 - 277V	NB Narrow 14°	LVR Internal Honeycomb Louver
	BR Brass	RGBW40K RGBW 4000K White			MB Medium 23°	ELP Electropolishing ¹
		DW Dynamic White (3000K to 6500K)			WB Wide 35°	CLR Clear Coat Finish ²
					EW Extra Wide 56°	¹ Electropolishing is only available on stainless steel versions. ² Clear coating is only available on brass versions.

Consult factory for availability of custom options. Factory assistance is available via phone at (864) 487-3535 ext. 258 or via email at DesignServices@EXP-Brands.com.

See Page 4 for ordering information of available remote power supplies.

		MOON MARINE	
PHYSICAL	HOUSING	Stainless Steel	Brass
	LENS	Tempered Glass	
	DRIVER	Remote (Sold Separately)	
	DIMENSIONS	ø2.36" x 1.97" x 2.6" x 4.96"	
	WEIGHT	2 Pounds	
	OPERATING TEMPERATURE	-40°F to 104°F (-40°C to 40°C)	

ELECTRICAL	POWER	4.6 Watts
	CURRENT	0.04 amps at 120 volts 0.02 amps at 277 volts
	CONTROL	DMX/RDM
	CABLE	Power & DMX Cable Without Connectors
	CABLE LENGTH	39.3"

PHOTOMETRIC	LED	Dynamic White (3000K-6500K)	RGBW 3000K	RGBW 4000K
	DELIVERED LUMEN OUTPUT	up to 413 lumens	up to 213 lumens	up to 242 lumens
	EFFICACY	up to 46 lumens per watt	up to 25 lumens per watt	up to 29 lumens per watt
	LUMEN MAINTENANCE	L90 > 60,000 Hours at 77°F*		

LIGHT DISTRIBUTIONS	CCT	DATA	DISTRIBUTION / BEAM ANGLE			
			Narrow	Medium	Wide	Extra-Wide
			14°	23°	35°	56°
RGBW 3000K	LUMENS	213	170	173	175	
	EFFICACY	25	20	21	21	
	MAX. CANDELA	2854	793	417	208	
RGBW 4000K	LUMENS	242	193	197	199	
	EFFICACY	29	23	23	24	
	MAX. CANDELA	3243	901	474	237	
DYNAMIC WHITE	LUMENS	413	329	336	339	
	EFFICACY	46	37	37	38	
	MAX. CANDELA	5544	1534	811	403	

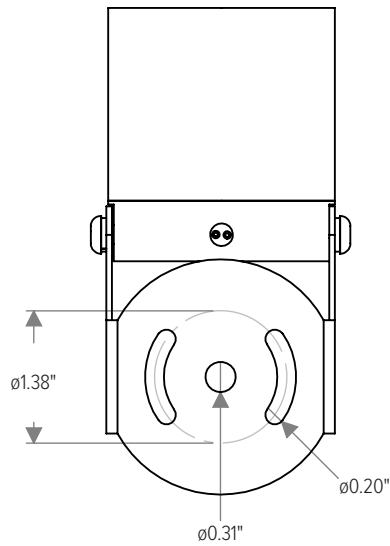
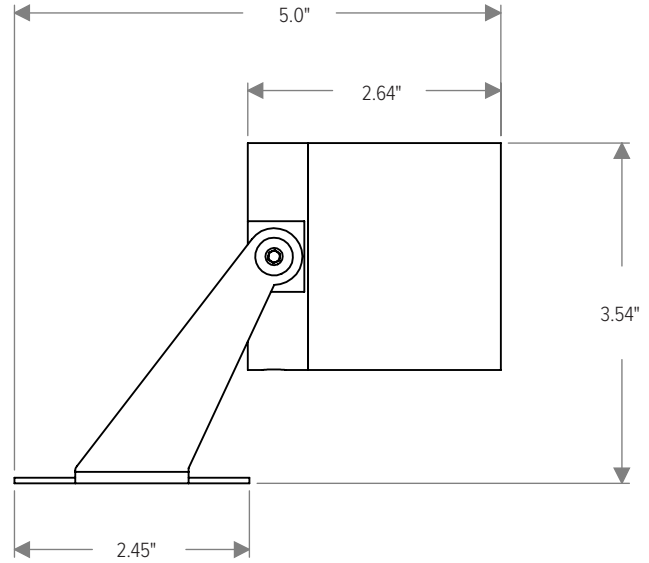
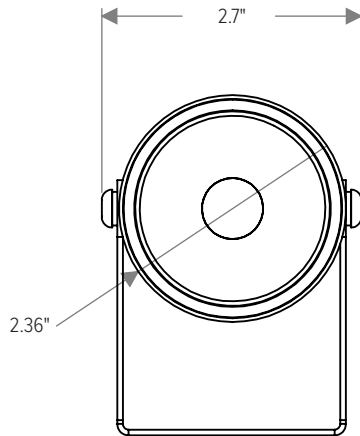
Values based on full output.

CERTIFICATIONS	SAFETY	ETL Certified for Wet Locations
	INGRESS PROTECTION	IP67
	IMPACT RATING	IK08
	WARRANTY	Five Year Limited Warranty

* LED life may vary under actual field conditions due to external factors. Lifetime estimates are generated from actual testing in a controlled environment. Values are conservatively derived from those numbers.

DIMENSIONS

All dimensions are shown in inches unless otherwise noted.



PHOTOMETRICS

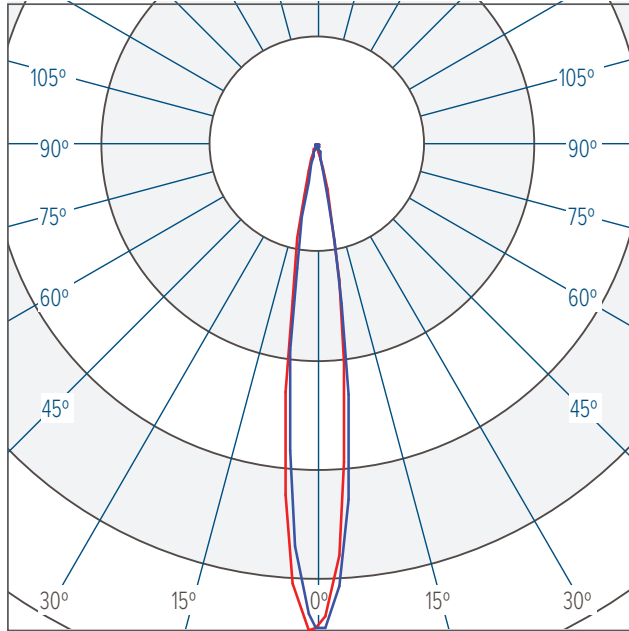
NOTE: Values shown below reflect Dynamic White CCT.

For RGBW 3000K, apply a 0.52 prorate factor. For RGBW 4000K, apply a 0.59 prorate factor.

NARROW 14°

CBCP 5544 / 413 lumens

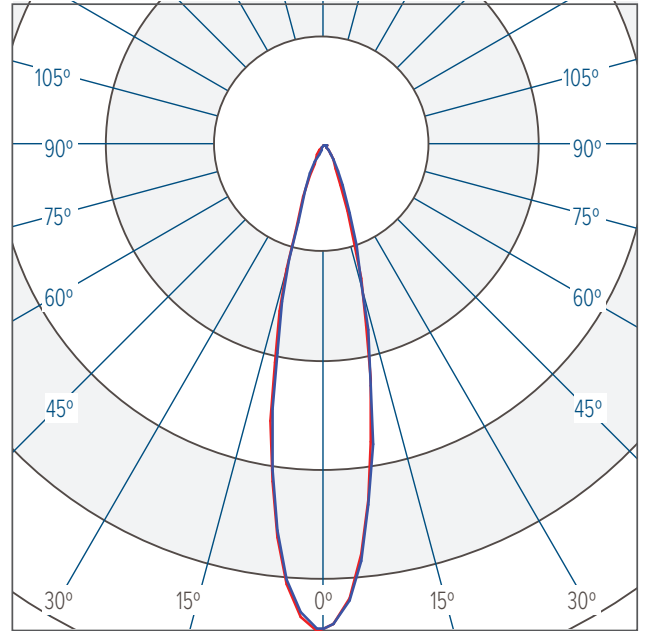
Horizontal
Vertical



MEDIUM 23°

CBCP 1534 / 329 lumens

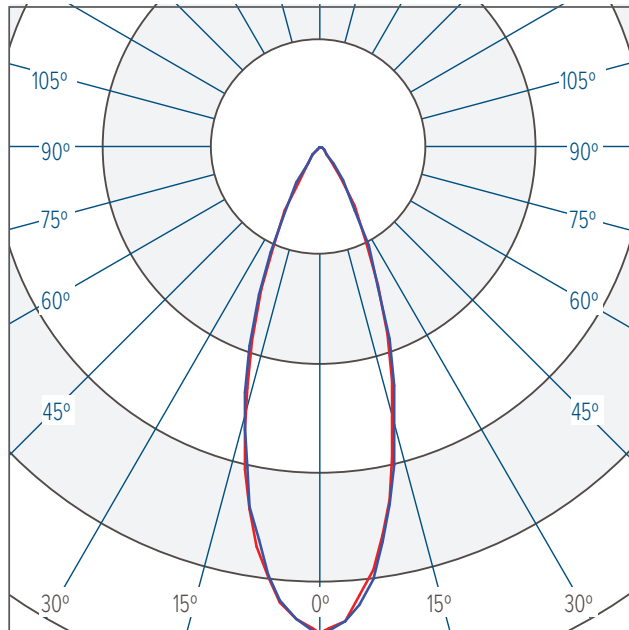
Horizontal
Vertical



WIDE 35°

CBCP 811 / 336 lumens

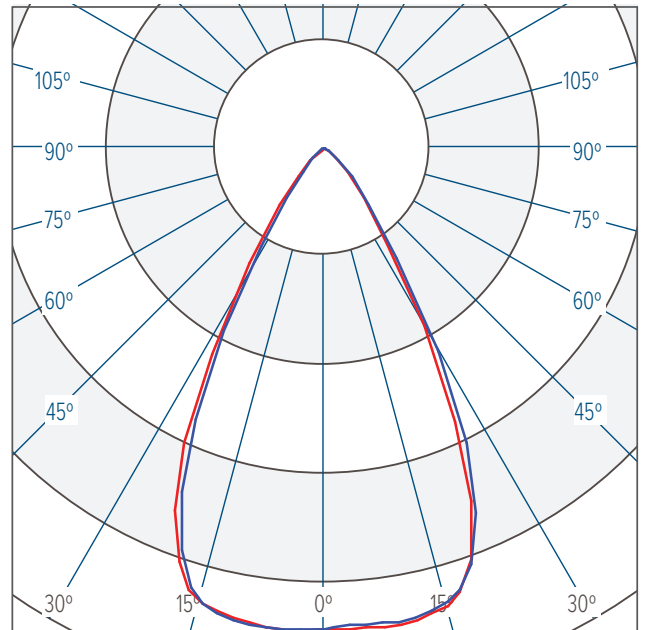
Horizontal
Vertical



EXTRA-WIDE 56°

CBCP 403 / 339 lumens

Horizontal
Vertical



RGBW DMX MODES			
MODE	CHANNEL	FUNCTION	VALUE
Mode 4 Channel- "RGBW 4CH"			
#1	1	0-100% Red	0-255
	2	0-100% Green	0-255
	3	0-100% Blue	0-255
	4	0-100% White	0-255
Mode 5 Channel- "RGBW 5CH"			
#2	1	0-100% Red	0-255
	2	0-100% Green	0-255
	3	0-100% Blue	0-255
	4	0-100% White	0-255
	5	0-100% Dimmer	0-255
Mode 6 Channel- "RGBW 6CH"			
#3	1	0-100% Red	0-255
	2	0-100% Green	0-255
	3	0-100% Blue	0-255
	4	0-100% White	0-255
	5	0-100% Dimmer	0-255
	6	No Strobe	0-5
		0-100% Strobe	6-250
100% Strobe	251-255		
Mode 4 Channel- "RGBW MIX"			
#4	1	0-100% Red	0-255
	2	0-100% Green	0-255
	3	0-100% Blue	0-255
	4	0-100% Calibrated White (affects RGB channels)	0-255
DYNAMIC WHITE DMX MODES			
MODE	CHANNEL	FUNCTION	VALUE
Mode 2 Channel- "Dynamic White 2CH"			
#1	1	Warm White 100% / Cold White 0%	0-003
		Warm White 100% / Cold White 0%-100%	004-122
		Warm White 100% / Cold White 100%	123-132
		Warm White 100%-0% / Cold White 100%	133-251
	Warm White 0% / Cold White 100%	252-255	
2	Dimmer 0-100%	0-255	
Mode 2 Channel- "Separate White 2CH"			
#2	1	0%-100% Warm White	0-255
	2	0%-100% Cold White	0-255

Note: In the absense of DMX signal, LEDs will remain on.