

MOON MARINE

Static White



DESCRIPTION

MOON MARINE is an advanced LED luminaire designed to enhance landscape and architectural features located near coastal regions. This adaptable luminaire provides decorative and functional lighting with smart color management. Corrosion resistant stainless steel or brass materials ensure the longevity of the luminaire even in harsh, salt water areas. Six optical options are available ranging from Ultra-Spot to Elliptical beam spreads. Use of an external power supply enables easy management of multiple units. Electropolishing and clear coating are available on request.



Stainless Steel 3000K

Brass 4000K

Date: _____ Type: _____ Catalog Number: _____

Project Name: _____

ORDERING INFORMATION

LUMINAIRE						
MODEL	MATERIAL	CCT	CONTROL	VOLTAGE	OPTIC	OPTION
MOON-MR Moon Marine	SS Stainless Steel	27K 2700K	DIM 0-10v Dimming	UNV 120 - 277V	US Ultra-Spot 7°	LVR Internal Honeycomb Louver
		30K 3000K			NB Narrow 19°	ELP Electropolishing ¹
	40K 4000K	MB Medium 25°			CLR Clear Coat Finish ²	
	WB Wide 35°	¹ Electropolishing is only available on stainless steel versions.				
	EW Extra-Wide 50°	² Clear coating is only available on brass versions.				
	ELH Elliptical 65° x 23°					

Consult factory for availability of custom options. Factory assistance is available via phone at (864) 487-3535 ext. 258 or via email at DesignServices@EXP-Brands.com.

See Page 4 for ordering information of available remote power supplies.



www.Griven-USA.com

For other Experience® Brands companies, please visit www.experiencebrandsusa.com.

In a continuing effort to offer the best product possible, we reserve the right to change, without notice, specifications or materials. Technical specification sheets that appear on www.griven-usa.com are the most recent ones available.

		MOON MARINE	
PHYSICAL	HOUSING	Stainless Steel	Brass
	LENS	Tempered Glass	
	DRIVER	Remote (Sold Separately)	
	DIMENSIONS	ø2.36" x 1.97" x 2.6" x 4.96"	
	WEIGHT	2 Pounds	
	OPERATING TEMPERATURE	-40°F to 104°F (-40°C to 40°C)	

ELECTRICAL	POWER	Narrow, Medium, Wide, Extra-Wide, Elliptical	Ultra-Spot
		8 Watts	2.7 Watts
	CURRENT	0.07 amps at 120 volts 0.03 amps at 277 volts	0.02 amps at 120 volts 0.009 amps at 277 volts
		CONTROL 0-10v Dimming with Remote Power Supply	
	CABLE	Power In	
	CABLE LENGTH	39.3"	

PHOTOMETRIC	LED	2700K	3000K	4000K
	DELIVERED LUMEN OUTPUT	up to 878 lumens	up to 892 lumens	up to 959 lumens
	EFFICACY	up to 110 lumens per watt	up to 112 lumens per watt	up to 120 lumens per watt
	LUMEN MAINTENANCE	L90 > 60,000 Hours at 77°F*		

LIGHT DISTRIBUTIONS	CCT	DATA	DISTRIBUTION / BEAM ANGLE					
			Ultra-Spot	Narrow	Medium	Wide	Extra-Wide	Elliptical
			7°	19°	25°	35°	50°	65° x 23°
2700K	LUMENS	173	878	874	779	777	817	
	EFFICACY	64	110	109	97	97	102	
	MAX. CANDELA	5621	6602	3785	1889	1146	1557	
3000K	LUMENS	225	892	888	791	789	830	
	EFFICACY	83	112	111	99	99	104	
	MAX. CANDELA	7330	6709	3828	1918	1159	1581	
4000K	LUMENS	186	959	955	851	848	892	
	EFFICACY	69	120	119	106	106	112	
	MAX. CANDELA	6043	7213	4129	2067	1251	1700	

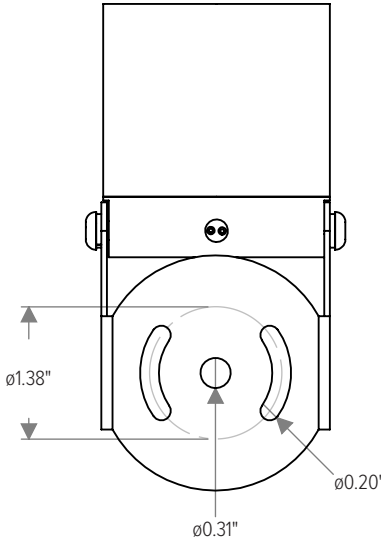
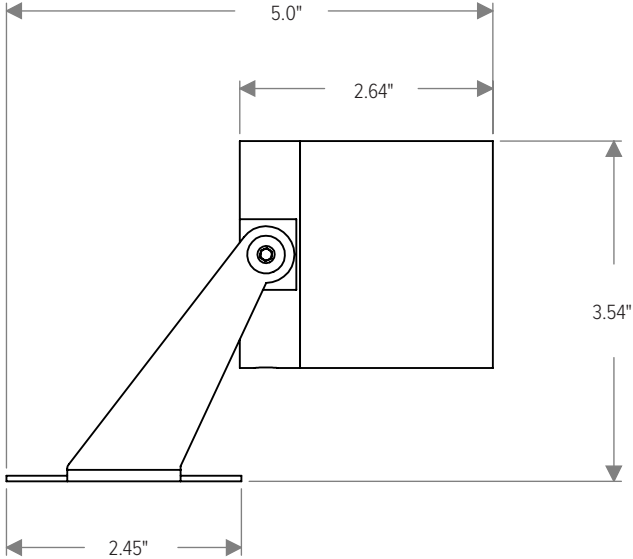
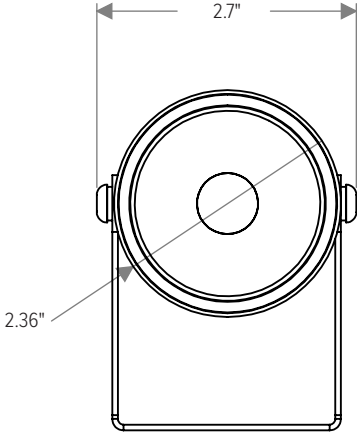
Values based on full output.

CERTIFICATIONS	SAFETY	ETL Certified for Wet Locations
	INGRESS PROTECTION	IP67
	IMPACT RATING	IK08
	WARRANTY	Five Year Limited Warranty

* LED life may vary under actual field conditions due to external factors. Lifetime estimates are generated from actual testing in a controlled environment. Values are conservatively derived from those numbers.

DIMENSIONS

All dimensions are shown in inches unless otherwise noted.

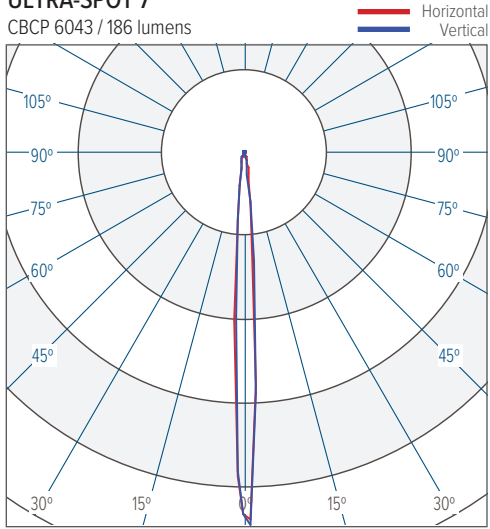


PHOTOMETRICS

NOTE: Values shown below reflect 4000K CCT. For 2700K, apply a 0.92 prorate factor. For 3000K, apply a 0.93 prorate factor.

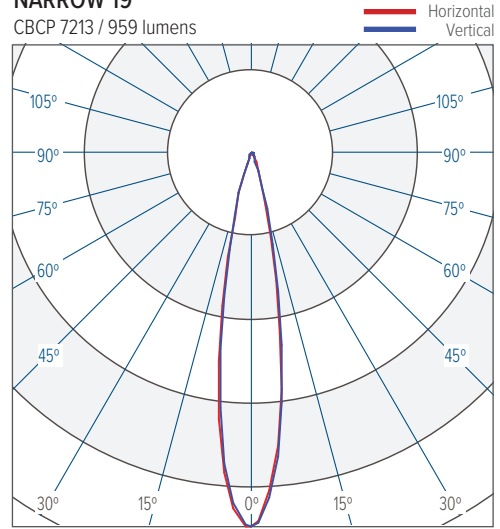
ULTRA-SPOT 7°

CBCP 6043 / 186 lumens



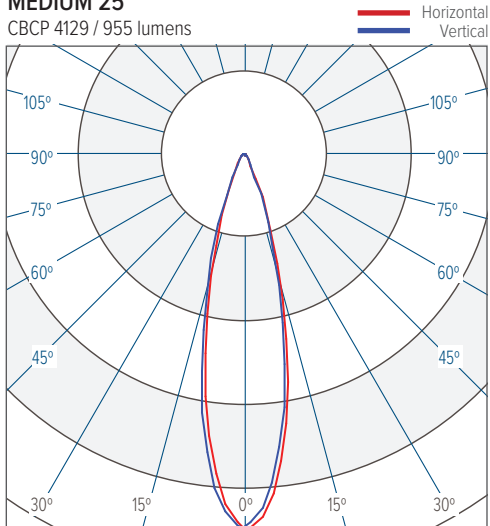
NARROW 19°

CBCP 7213 / 959 lumens



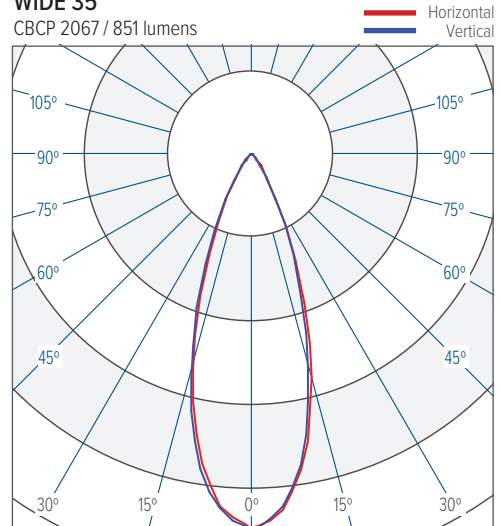
MEDIUM 25°

CBCP 4129 / 955 lumens



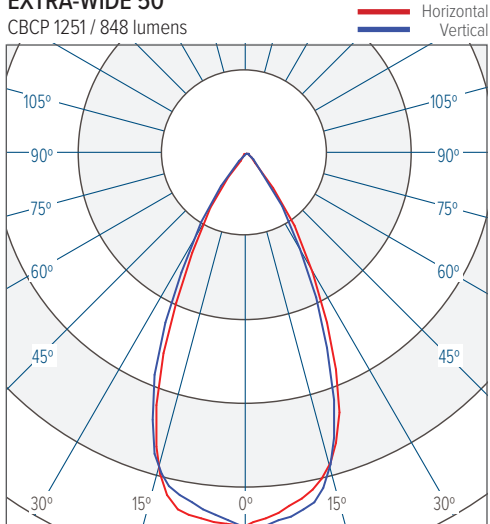
WIDE 35°

CBCP 2067 / 851 lumens



EXTRA-WIDE 50°

CBCP 1251 / 848 lumens



ELLIPTICAL HORIZONTAL 65° x 23°

CBCP 1700 / 892 lumens

