

# MOON RECESSED

Static White



## DESCRIPTION

With extreme design flexibility and high aesthetic impact, the MOON RECESSED is a perfect in-grade solution for illuminating paths, walkways, entrances, or distinctive illumination of architectural or landscape elements. Recess depth is less than 4" allowing for easy installation in any element. The power to create intense emotions through different shades and colors of light is excentuated with a trimless full glass version, alongside two other trim variants, all with stainless steel frame. Luminaire is IP68 rated and is resistant to submersion to a maximum depth of 4.9' for up to 30 minutes. Remote power supply is available separately.

Date: \_\_\_\_\_ Type: \_\_\_\_\_ Catalog Number: \_\_\_\_\_

Project Name: \_\_\_\_\_



Heavy Duty Trim 2700K



Standard Trim 3000K



Trimless 4000K

## ORDERING INFORMATION

LUMINAIRE						
MODEL	TRIM	CCT	CONTROL	VOLTAGE	OPTIC *	OPTION
MOON-R Moon Recessed	HD Heavy Duty Trim ø100mm / 3.9"	27K 2700K	DIM 0-10v Dimming	UNV 120 - 277V	US Ultra-Spot 7°	LVR Internal Honeycomb Louver
	STD Standard Trim ø80mm / 3.1"	30K 3000K			NB Narrow 19°	
	TRMLSS Trimless ø69mm / 2.7"	40K 4000K			MB Medium 25°	
					WB Wide 35°	
					EW Extra-Wide 50°	
					WW Wall Wash 83° x 32° (26° Incline)	

See Page 4 for ordering information of available accessories.

# MOON RECESSED

Static White



		MOON RECESSED		
		HEAVY DUTY TRIM	STANDARD TRIM	TRIMLESS
PHYSICAL	HOUSING	Anodized Aluminum Body with Stainless Steel Flange		Stainless Steel Flange and Body
	LENS	PMMA with Tempered Glass Screen		
	LOAD BEARING CAPACITY	4409 Pounds	Walk Over Only	
	DRIVER LOCATION	Remote (Sold Separately)		
	DIMENSIONS	See page three for detailed dimensional artwork.		
	WEIGHT	2.2 Pounds	2 Pounds	
	OPERATING TEMPERATURE	-40°F to 104°F (-40°C to 40°C)		

ELECTRICAL	POWER	Narrow, Medium, Wide, Extra-Wide, Wall Wash		Ultra-Spot
		8 Watts		2.7 Watts
	CURRENT	0.07 amps at 120 volts 0.03 amps at 277 volts		0.02 amps at 120 volts 0.01 amps at 277 volts
		CONTROL		
	CABLE	Power In		
	CABLE LENGTH	39.3"		

PHOTOMETRIC	LED	2700K	3000K	4000K
	DELIVERED LUMEN OUTPUT	up to 878 lumens	up to 892 lumens	up to 959 lumens
	EFFICACY	up to 110 lumens per watt	up to 111 lumens per watt	up to 120 lumens per watt
	LUMEN MAINTENANCE	L70 > 55,000 Hours at 77°F*		

LIGHT DISTRIBUTIONS	CCT	DATA	DISTRIBUTION / BEAM ANGLE					
			Ultra-Spot	Narrow	Medium	Wide	Extra-Wide	Wall Wash
			7°	19°	25°	35°	50°	83° x 32° (26° Incline)
2700K	LUMENS	173	878	874	779	777	831	
	EFFICACY	64	110	109	97	97	104	
	MAX. CANDELA	5621	6602	3767	1889	1141	938	
3000K	LUMENS	173	892	888	791	789	844	
	EFFICACY	64	111	111	99	99	106	
	MAX. CANDELA	5621	6707	3828	1918	1159	953	
4000K	LUMENS	186	959	955	851	848	907	
	EFFICACY	69	120	119	106	106	113	
	MAX. CANDELA	6043	7211	4116	2063	1246	1023	

Values based on full output.

CERTIFICATIONS	SAFETY	ETL Certified for Wet Locations
	INGRESS PROTECTION	IP68
	IMPACT RATING	IK10 (Heavy Duty Trim) or IK09 (Standard and Trimless Variants)
	WARRANTY	Five Year Limited Warranty

\* LED life may vary under actual field conditions due to external factors. Lifetime estimates are generated from actual testing in a controlled environment. Values are conservatively derived from those numbers.

# MOON RECESSED

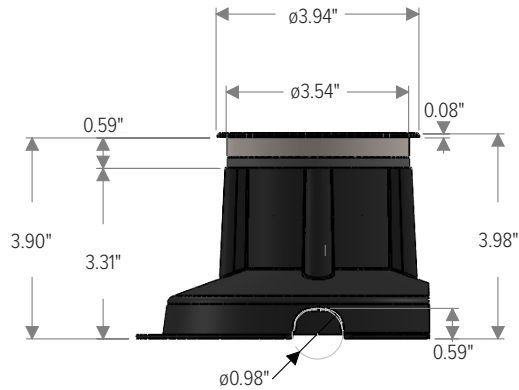
Static White



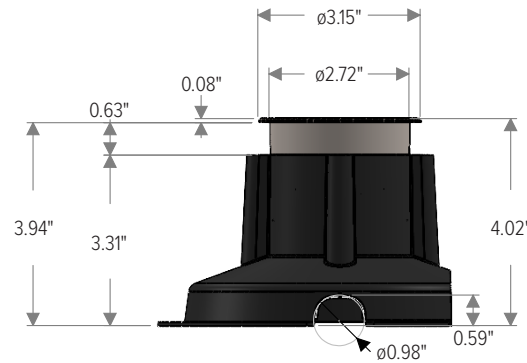
## DIMENSIONS

All dimensions are shown in inches unless otherwise noted.

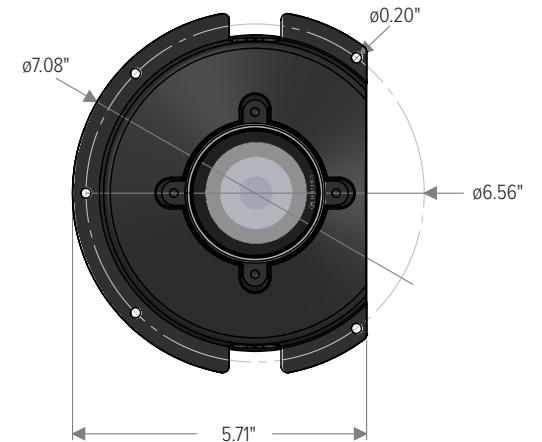
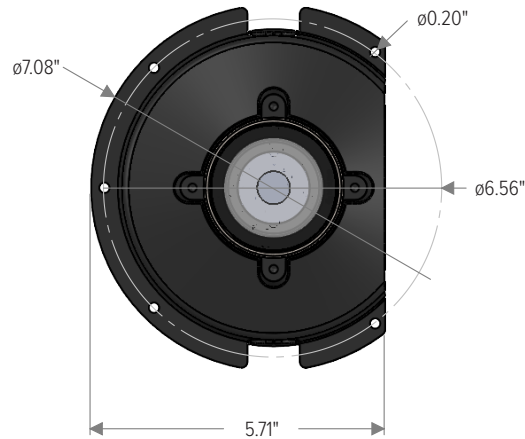
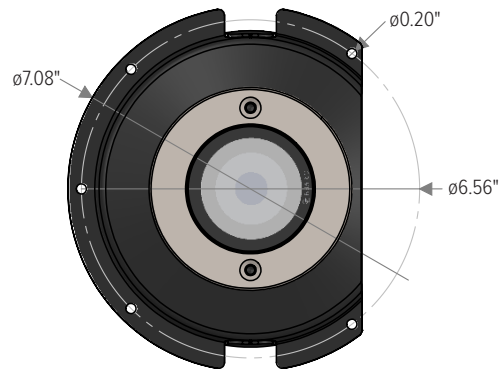
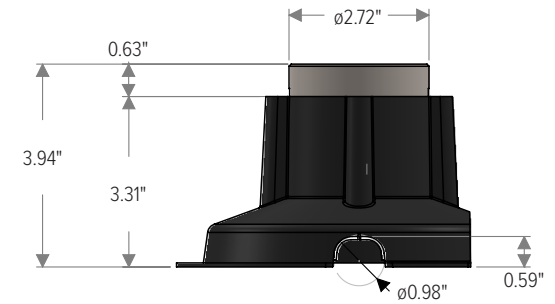
*Moon Recessed - Heavy Duty Trim*



*Moon Recessed - Standard Trim*



*Moon Recessed - Trimless*



For installation instructions, see separate "Installation Instructions" document.

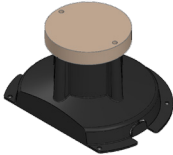
# MOON RECESSED

Static White



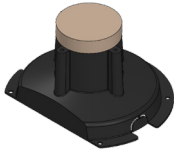
## ACCESSORIES

NOTE: Accessories are ordered and shipped separately from luminaire for field installation.



**MOON-R-HD-RIB**

Recessed Rough-In Box for Heavy Duty Trim Variants



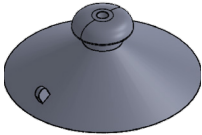
**MOON-R-RIB**

Recessed Rough-In Box for Standard Trim and Trimless Variants



**MOON-R-DRP-RIB**

Drop-In Recessed Rough-In Box for Standard Trim and Trimless Variants



**MOON-R-SC**

Suction Cup

Consult factory for available remote power supply units.

# MOON RECESSED

Static White



## PHOTOMETRICS- CANDELA DISTRIBUTION

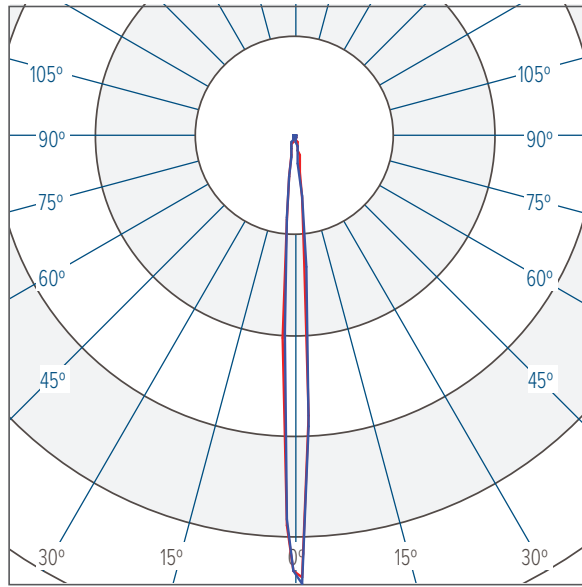
NOTE: Values shown below reflect 4000K CCT.

For 2700K, apply a 0.92 prorate factor. For 3000K, apply a 0.93 prorate factor.

### ULTRA-SPOT 7°

CBCP 6043 / 186 lumens

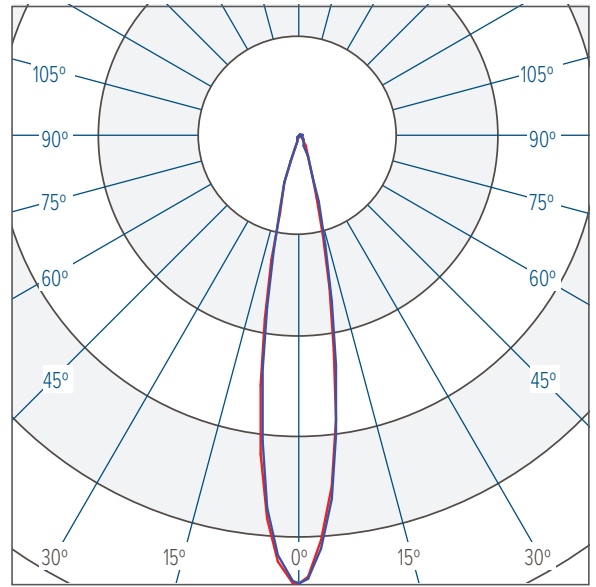
— Horizontal  
— Vertical



### NARROW 19°

CBCP 7211 / 959 lumens

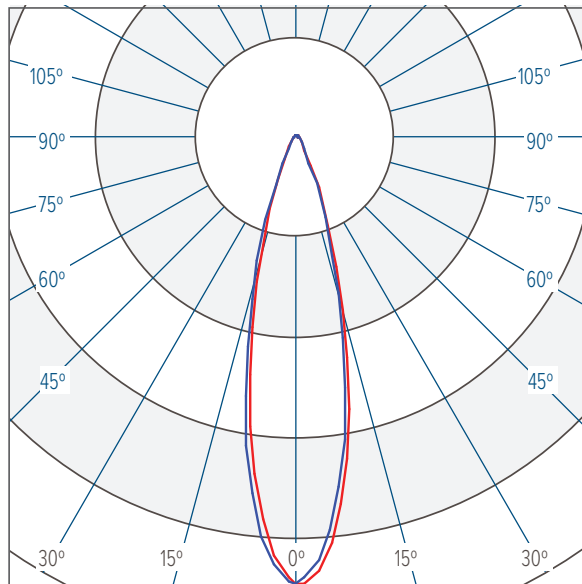
— Horizontal  
— Vertical



### MEDIUM 25°

CBCP 4116 / 955 lumens

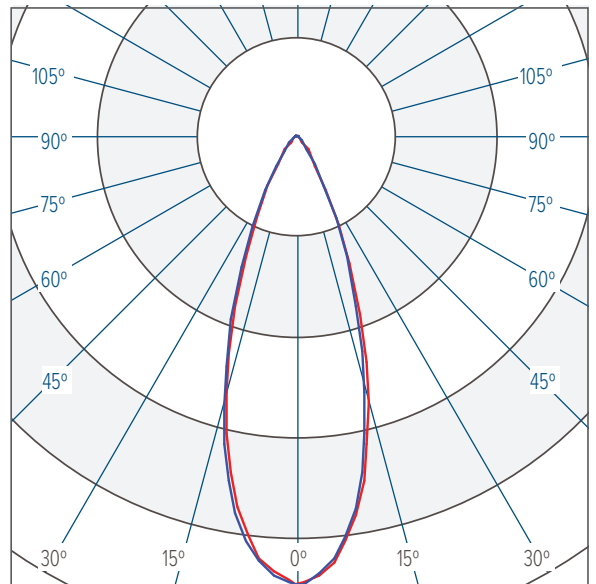
— Horizontal  
— Vertical



### WIDE 35°

CBCP 2063 / 851 lumens

— Horizontal  
— Vertical



# MOON RECESSED

Static White



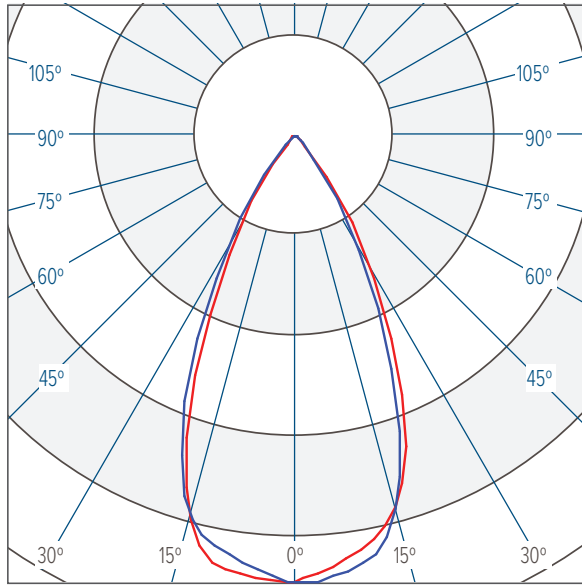
## PHOTOMETRICS

NOTE: Values shown below reflect 4000K CCT.

For 2700K, apply a 0.92 prorate factor. For 3000K, apply a 0.93 prorate factor.

**EXTRA-WIDE 50°**  
CBCP 1246 / 848 lumens

— Horizontal  
— Vertical



**WALL WASH 83° x 32°**  
CBCP 1023 / 907 lumens

— Horizontal  
— Vertical

