

MOON RECESSED ADJUSTABLE

Static White



DESCRIPTION

With extreme design flexibility and high aesthetic impact, the MOON RECESSED ADJUSTABLE is a perfect in-grade solution for illuminating paths, walkways, entrances, or distinctive illumination of architectural or landscape elements. The addition of field adjustability adds to the flexibility of the MOON RECESSED luminaire. Recess depth is less than 4" allowing for easy installation in any element. The power to create intense emotions through different shades and colors of light is excentuated with a trimless full glass version, alongside two other trim variants, all with stainless steel frame. Luminaire is IP68 rated and is resistant to submersion to a maximum depth of 4.9' for up to 30 minutes. Remote power supply is available separately.



Heavy Duty Trim 2700K



Standard Trim 3000K



Trimless 4000K

Date: _____ Type: _____ Catalog Number: _____

Project Name: _____

ORDERING INFORMATION

LUMINAIRE						
MODEL	TRIM	CCT	CONTROL	VOLTAGE	OPTIC *	OPTION
MOON-R-A Moon Recessed Adjustable	HD Heavy Duty Trim ø100mm / 4.4"	27K 2700K	DIM 0-10v Dimming	UNV 120 - 277V	US Ultra-Spot 6°	LVR Internal Honeycomb Louver
	STD Standard Trim ø80mm / 3.9"	30K 3000K			NB Narrow 18°	
	TRMLSS Trimless ø69mm / 3.4"	40K 4000K			MB Medium 25°	
					WB Wide 35°	
					EW Extra-Wide 50°	
					WW Wall Wash 81° x 33° (26° Incline)	

See Page 4 for ordering information of available accessories.

MOON RECESSED ADJUSTABLE

Static White



		MOON RECESSED		
		HEAVY DUTY TRIM	STANDARD TRIM	TRIMLESS
PHYSICAL	HOUSING	Anodized Aluminum Body with Stainless Steel Flange	Stainless Steel Flange and Body	
	LENS	PMMA with Tempered Glass Screen		
	LOAD BEARING CAPACITY	4409 Pounds	Walk-Over Only	
	DRIVER LOCATION	Remote (Sold Separately)		
	DIMENSIONS	See page three for detailed dimensional artwork.		
	WEIGHT	2.2 Pounds	2 Pounds	
	OPERATING TEMPERATURE	-40°F to 104°F (-40°C to 40°C)		

ELECTRICAL	POWER	Narrow, Medium, Wide, Extra-Wide, Wall Wash	Ultra-Spot
		8 Watts	2.7 Watts
	CURRENT	0.07 amps at 120 volts 0.03 amps at 277 volts	0.02 amps at 120 volts 0.01 amps at 277 volts
		0-10v Dimming with Remote Driver	
	CABLE	Power In	
	CABLE LENGTH	39.3"	

PHOTOMETRIC	LED	2700K	3000K	4000K
	DELIVERED LUMEN OUTPUT	up to 878 lumens	up to 892 lumens	up to 959 lumens
	EFFICACY	up to 110 lumens per watt	up to 111 lumens per watt	up to 120 lumens per watt
	LUMEN MAINTENANCE	L70 > 55,000 Hours at 77°F*		

LIGHT DISTRIBUTIONS	CCT	DATA	DISTRIBUTION / BEAM ANGLE					Wall Wash 83° x 32° (26° Incline)
			Ultra-Spot	Narrow	Medium	Wide	Extra-Wide	
			7°	19°	25°	35°	50°	
2700K	LUMENS	173	878	874	779	777	831	
	EFFICACY	64	110	109	97	97	104	
	MAX. CANDELA	5621	6602	3767	1889	1141	938	
3000K	LUMENS	173	892	888	791	789	844	
	EFFICACY	64	111	111	99	99	106	
	MAX. CANDELA	5621	6707	3828	1918	1159	953	
4000K	LUMENS	186	959	955	851	848	907	
	EFFICACY	69	120	119	106	106	113	
	MAX. CANDELA	6043	7211	4116	2063	1246	1023	

Values based on full output.

CERTIFICATIONS	SAFETY	ETL Certified for Wet Locations
	INGRESS PROTECTION	IP68
	IMPACT RATING	IK10
	WARRANTY	Five Year Limited Warranty

* LED life may vary under actual field conditions due to external factors. Lifetime estimates are generated from actual testing in a controlled environment. Values are conservatively derived from those numbers.

MOON RECESSED ADJUSTABLE

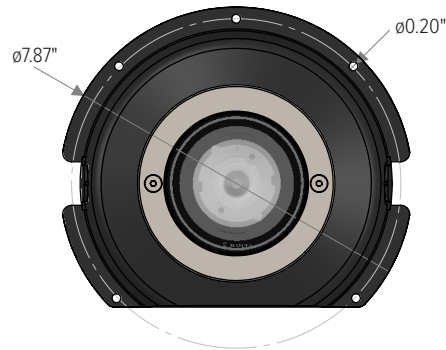
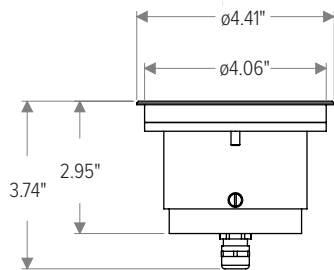
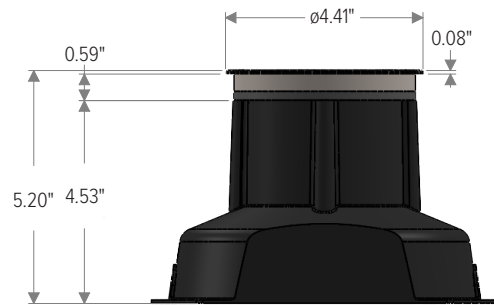
Static White



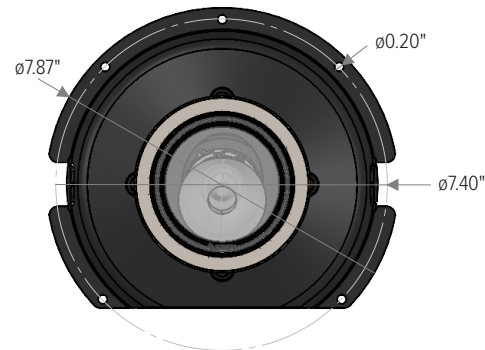
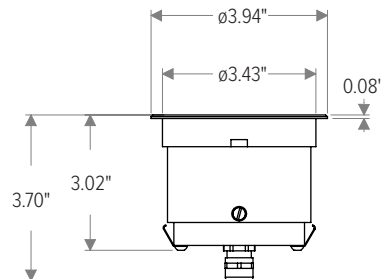
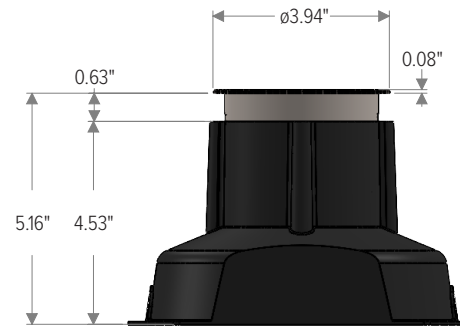
DIMENSIONS

All dimensions are shown in inches unless otherwise noted.

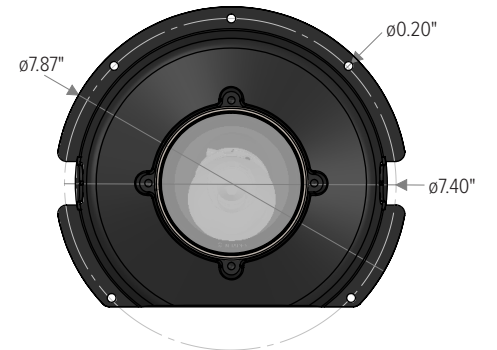
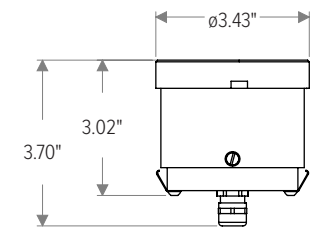
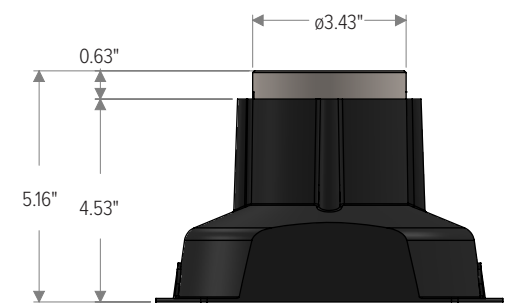
Moon Recessed Adjustable - Heavy Duty Trim



Moon Recessed Adjustable - Standard Trim



Moon Recessed Adjustable - Trimless



For installation instructions, see separate "Installation Instructions" document.

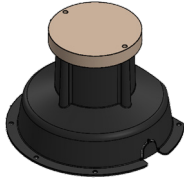
MOON RECESSED ADJUSTABLE

Static White



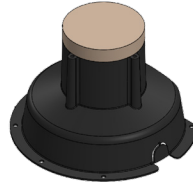
ACCESSORIES

NOTE: Accessories are ordered and shipped separately from luminaire for field installation.



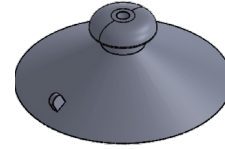
MOON-R-A-HD-RIB

Recessed Rough-In Box for Heavy
Duty Trim Variants



MOON-R-A-RIB

Recessed Rough-In Box for Standard
Trim and Trimless Variants



MOON-R-A-SC

Suction Cup

Consult factory for available remote power supply units.

MOON RECESSED ADJUSTABLE

Static White



PHOTOMETRICS- CANDELA DISTRIBUTION

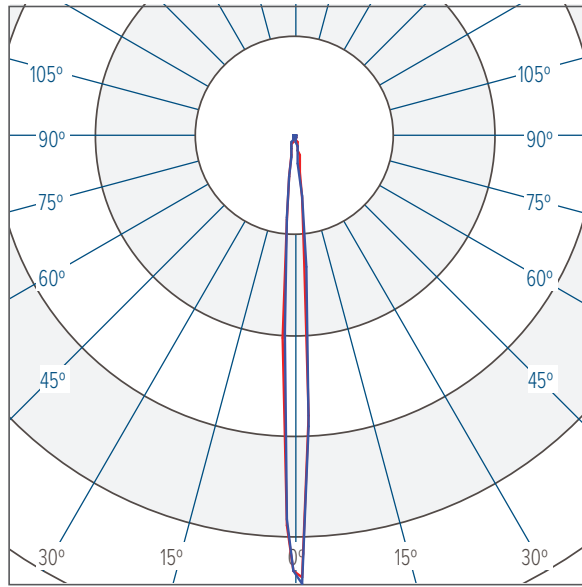
NOTE: Values shown below reflect 4000K CCT.

For 2700K, apply a 0.92 prorate factor. For 3000K, apply a 0.93 prorate factor.

ULTRA-SPOT 7°

CBCP 6043 / 186 lumens

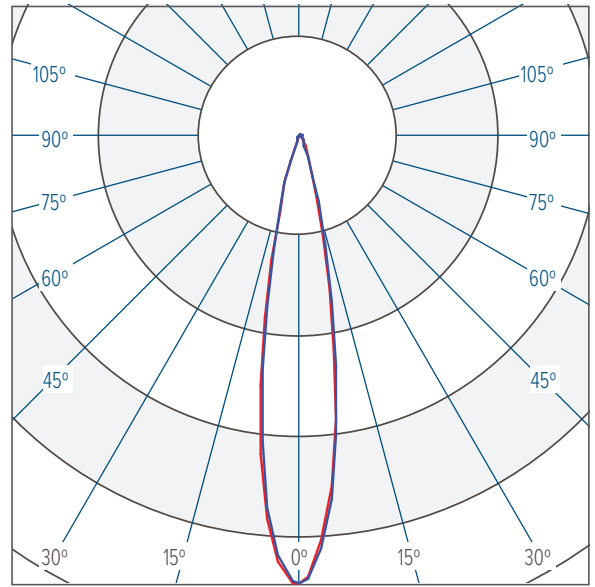
Horizontal
Vertical



NARROW 19°

CBCP 7211 / 959 lumens

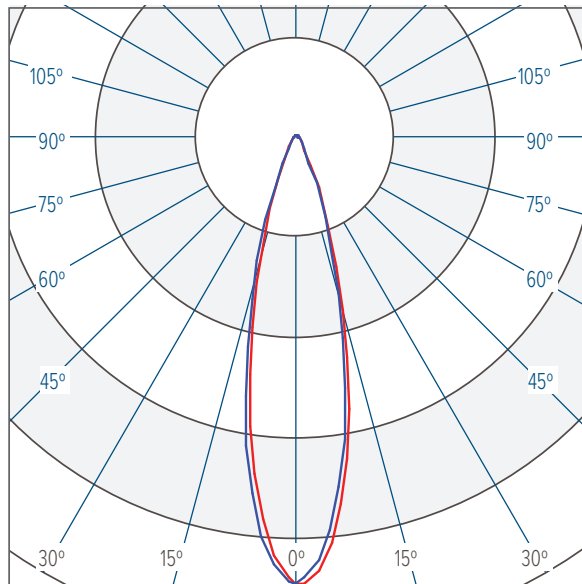
Horizontal
Vertical



MEDIUM 25°

CBCP 4116 / 955 lumens

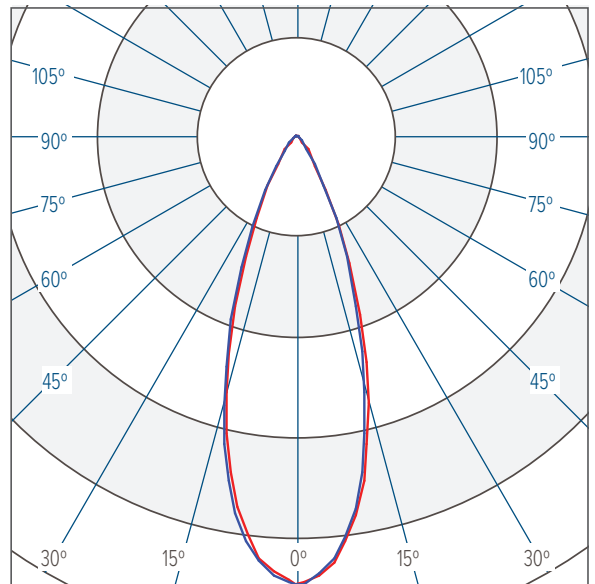
Horizontal
Vertical



WIDE 35°

CBCP 2063 / 851 lumens

Horizontal
Vertical



MOON RECESSED ADJUSTABLE

Static White



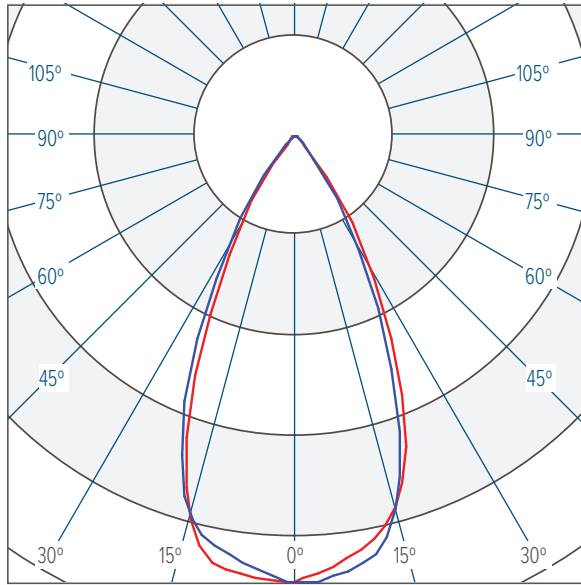
PHOTOMETRICS

NOTE: Values shown below reflect 4000K CCT.

For 2700K, apply a 0.92 prorate factor. For 3000K, apply a 0.93 prorate factor.

EXTRA-WIDE 50°
CBCP 1246 / 848 lumens

— Horizontal
— Vertical



WALL WASH 83° x 32°
CBCP 1023 / 907 lumens

— Horizontal
— Vertical

