

MOON SURFACE

Static White



DESCRIPTION

Designed to elevate landscapes and architectural features in both residential and commercial spaces, MOON is an advanced LED luminaire offering nuanced accent lighting to evoke emotions through soft lighting effects. This adaptable luminaire provides decorative and functional lighting, ideal for paths, gardens, and architectural elements in various settings. With five finish options, a brass swivel, and sleek installation, it's a versatile choice. Additional versions provide design flexibility, while various optics create diverse visual effects. The external power supply enables easy management of multiple units.



Date: _____ Type: _____ Catalog Number: _____

Project Name: _____

ORDERING INFORMATION

LUMINAIRE								
MODEL	SWIVEL	CCT	CONTROL	CABLE	VOLTAGE	OPTIC *	FINISH	OPTION
MOON-SF Moon Surface	BS Brass Swivel	27K 2700K	ON-OFF On/Off	P Power In (39.3")	UNV 120 - 277V	US Ultra-Spot 7°	AG Anthracite Grey	AST Anti-Saline Treatment
	LH Lockable Head	30K 3000K				NB Narrow 18°	BL Black	LVR Internal Honeycomb Louver
	OT One Tone Finish	40K 4000K				MB Medium 25°	SG Griven Silver Grey	
						WB Wide 35°	OG Olive Grey	
						EW Extra Wide 50°	WH White	
						ELH Elliptical Horizontal 65° H x 22° V	CC Custom RAL Color	

*Consult factory for availability of other optical options.

See Page 4 for ordering information of available accessories.

		MOON SURFACE		
PHYSICAL	HOUSING	Die-Cast Aluminum		
	LENS	Tempered Glass		
	SWIVEL	Brass (One-Tone Finish) or Aluminum (Lockable Head)		
	DRIVER LOCATION	Remote (Sold Separately)		
	DIMENSIONS <small>(90° Housing Orientation)</small>	Brass Swivel & One-Tone Finish	Lockable Head	
		4.96" L x ϕ 2.36" (housing)	5.43" L x 2.64" W x ϕ 2.36" (housing)	
	WEIGHT	1.1 Pounds		
OPERATING TEMPERATURE	-40°F to 122°F (-40°C to 50°C)			

ELECTRICAL	POWER	Narrow/Medium/Wide/Extra-Wide/Elliptical	Ultra-Spot	
		12.5 Watts		3 Watts
	CURRENT	0.10 amps at 120 volts	0.03 amps at 120 volts	
		0.05 amps at 277 volts	0.01 amps at 277 volts	
	CONTROL	On/Off		
	CABLE	Power In		
CABLE LENGTH	39.3"			

PHOTOMETRIC	LED	2700K	3000K	4000K
	DELIVERED LUMEN OUTPUT	up to 1372 lumens	up to 1393 lumens	up to 1499 lumens
	EFFICACY	up to 110 lumens per watt	up to 111 lumens per watt	up to 120 lumens per watt
	LUMEN MAINTENANCE	L70 > 100,000 Hours at 77°F*		
	LIGHT CONTROL ACCESSORIES	Snoot, Visor, Diffusers, Honeycomb Louvers Available		

LIGHT DISTRIBUTIONS	CCT	DATA	DISTRIBUTION / BEAM ANGLE					
			Ultra-Spot	Narrow	Medium	Wide	Extra-Wide	Elliptical
			7°	18°	25°	35°	50°	65° X 22°
2700K	LUMENS	233	1372	1366	1218	1213	817	
	EFFICACY	78	110	109	97	97	97	
	MAX. CANDELA	7570	10317	5888	2953	1782	1556	
3000K	LUMENS	233	1393	1387	1237	1233	826	
	EFFICACY	78	111	111	99	99	98	
	MAX. CANDELA	7557	10475	5979	2999	1811	1573	
4000K	LUMENS	251	1499	1492	1330	1325	888	
	EFFICACY	84	120	119	106	106	106	
	MAX. CANDELA	8155	11271	6433	3225	1947	1691	

Values based on full output.

CERTIFICATIONS	SAFETY	ETL Certified for Wet Locations
	INGRESS PROTECTION	IP67
	IMPACT RATING	IK08
	WARRANTY	Five Year Limited Warranty

* LED life may vary under actual field conditions due to external factors. Lifetime estimates are generated from actual testing in a controlled environment. Values are conservatively derived from those numbers.

MOON SURFACE

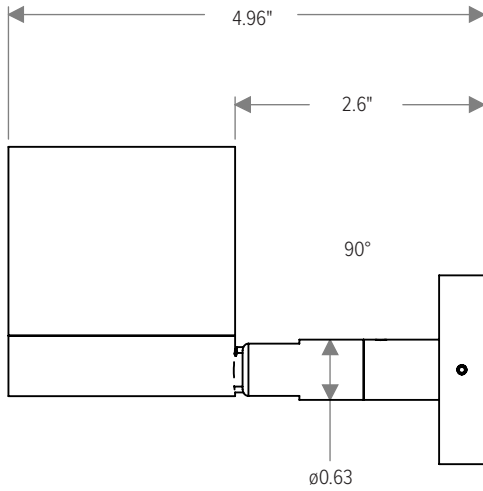
Static White



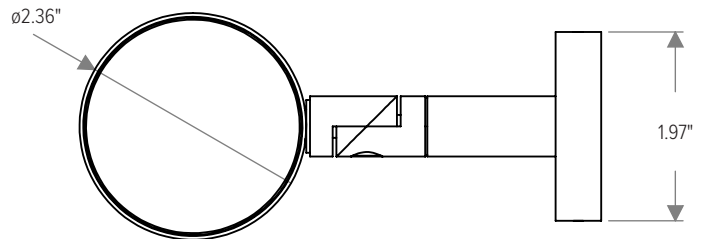
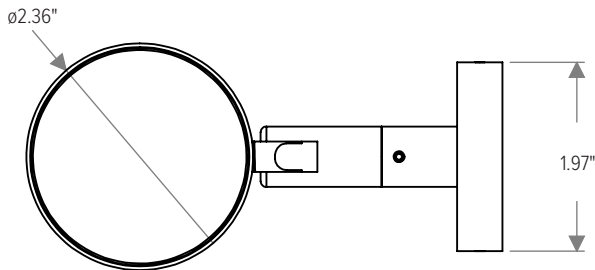
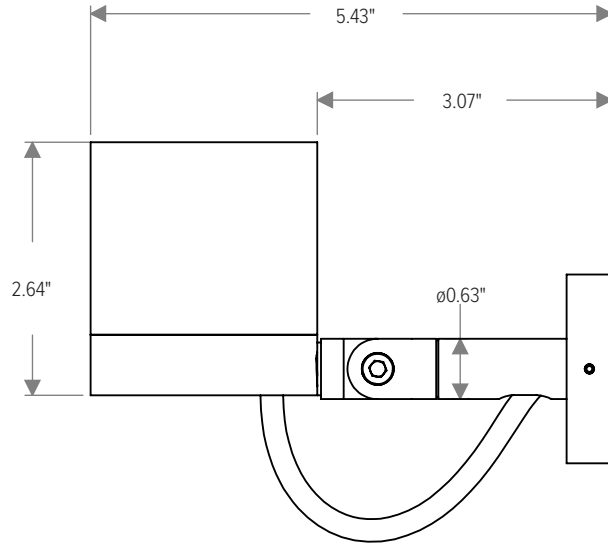
DIMENSIONS

All dimensions are shown in inches unless otherwise noted.

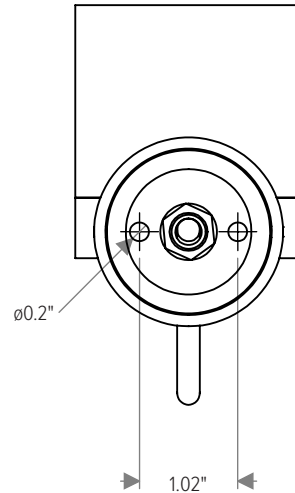
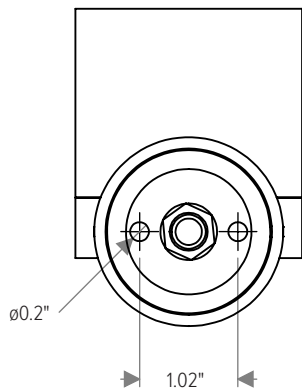
Moon Surface with Brass Swivel or One-Tone Finish



Moon Surface with Lockable Head



MOUNTING



ACCESSORIES

NOTE: Accessories are ordered and shipped separately from luminaire for field installation.

-XX* indicates a painted accessory. See bottom of page for painted accessory ordering information.

OPTICAL ACCESSORIES- FOR USE WITH ACCESSORY HOLDER (MOON-ACC-HLDR)



MOON-ACC-HLDR-XX*
Accessory Holder



MOON-ACC-RFCTR-EL
Refractor for Elliptical Distribution



MOON-ACC-DFG
Diffuser Glass



MOON-ACC-PRG
Prismatic Glass



MOON-ACC-SNOOT-XX*
Snoot

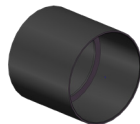


MOON-ACC-VISOR-XX*
Visor



MOON-ACC-LVR
External Honeycomb Louver

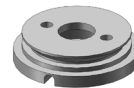
ADDITIONAL ACCESSORIES



MOON-SNOOT-XX*
Snoot



MOON-VISOR-XX*
Visor



MOON-WLMT-XX*
Wall Mount Plate
for Side-Run Cable



MOON-PLMT-XX*
Pole/Tree Mount Kit

ORDERING INFORMATION

PAINTED ACCESSORIES

MODEL		FINISH (*-XX)		OPTION	
MOON-ACC-HLDR	Accessory Holder	AG	Anthracite Grey	AST	Anti-Saline Treatment
MOON-ACC-SNOOT	Accessory Holder Snoot	BL	Black		
MOON-ACC-VISOR	Accessory Holder Visor	SG	Griven Silver Grey		
MOON-SNOOT	Snoot	OG	Olive Grey		
MOON-VISOR	Visor	WH	White		
MOON-WLMT	Wall Mount Plate	CC	Custom RAL Color		
MOON-PLMT	Pole/Tree Mount Kit				

MOON SURFACE

Static White



PHOTOMETRICS

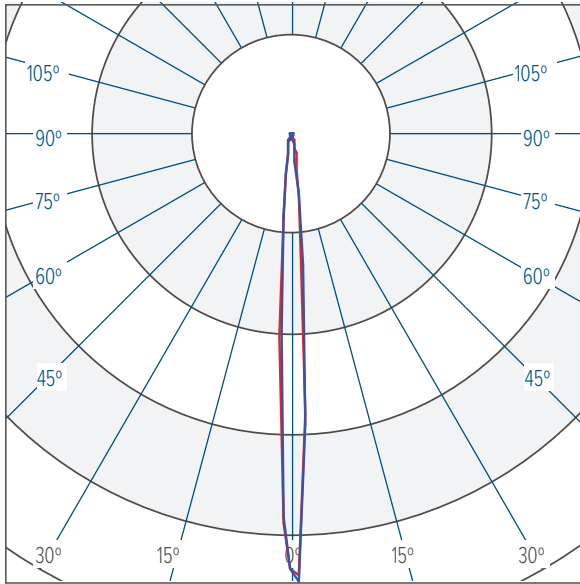
NOTE: Values shown below reflect 4000K CCT.

For 2700K, apply a 0.92 prorate factor. For 3000K, apply a 0.93 prorate factor.

ULTRA SPOT 7° 4000K

CBCP 8155 @ 251 lumens

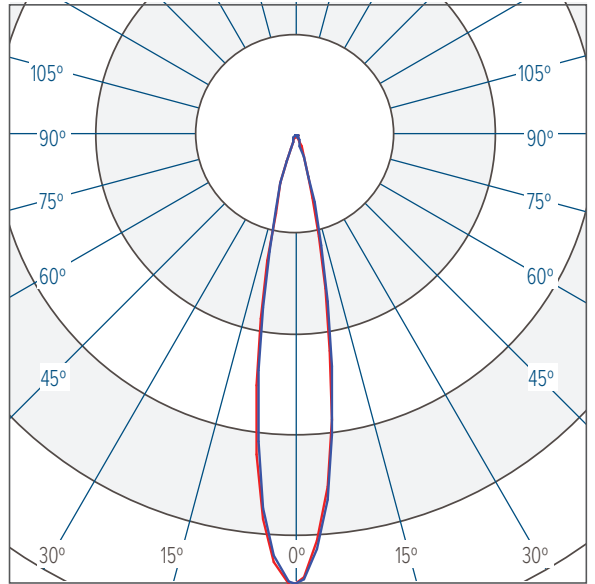
Horizontal
Vertical



NARROW 18° 4000K

CBCP 11271 @ 1499 lumens

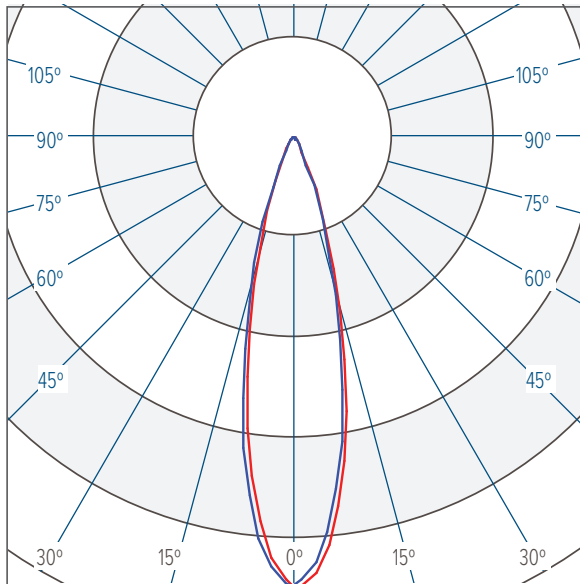
Horizontal
Vertical



MEDIUM 25° 4000K

CBCP 6433 @ 1492 lumens

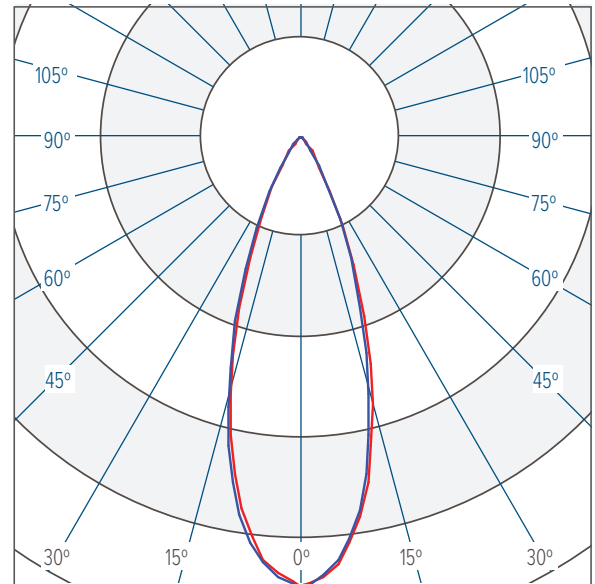
Horizontal
Vertical



WIDE 35° 4000K

CBCP 3225 @ 1330 lumens

Horizontal
Vertical



MOON SURFACE

Static White



PHOTOMETRICS

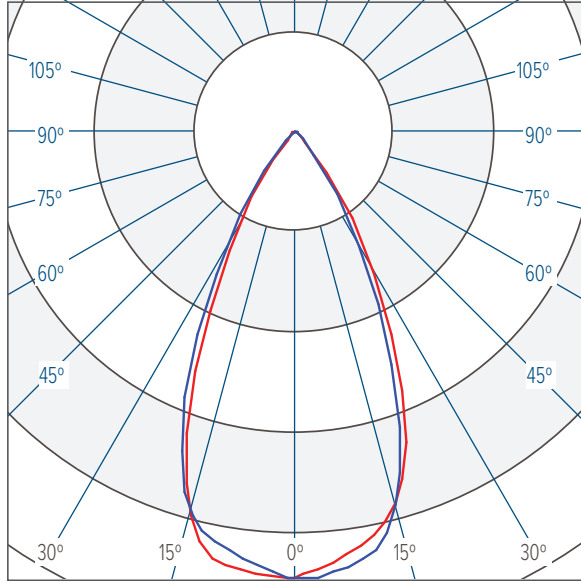
NOTE: Values shown below reflect 4000K CCT.

For 2700K, apply a 0.92 prorate factor. For 3000K, apply a 0.93 prorate factor.

EXTRA WIDE 56° 4000K

CBCP 1947 @ 1325 lumens

— Horizontal
— Vertical



ELLIPTICAL 4000K 65° x 23°

CBCP 1696 / 893 lumens

— Horizontal
— Vertical

