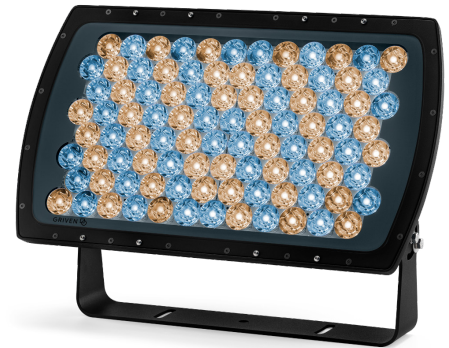


DESCRIPTION

ONYX XQ sets the standard for ultra-narrow beam floodlights where precise and uniform illumination at long distances is required. The award-winning luminaire combines 96 high power LEDs in Dynamic White with precision optics to produce a very narrow 4° beam. The LED driver is thermally isolated in a separate compartment for enhanced longevity. On-board control panel allows for stand-alone or master-satellite operation, as well as interface to external DMX controllers. Accessories for light control are available. All hardware is stainless steel.



Date: \_\_\_\_\_ Type: \_\_\_\_\_ Catalog Number: \_\_\_\_\_

Project Name: \_\_\_\_\_

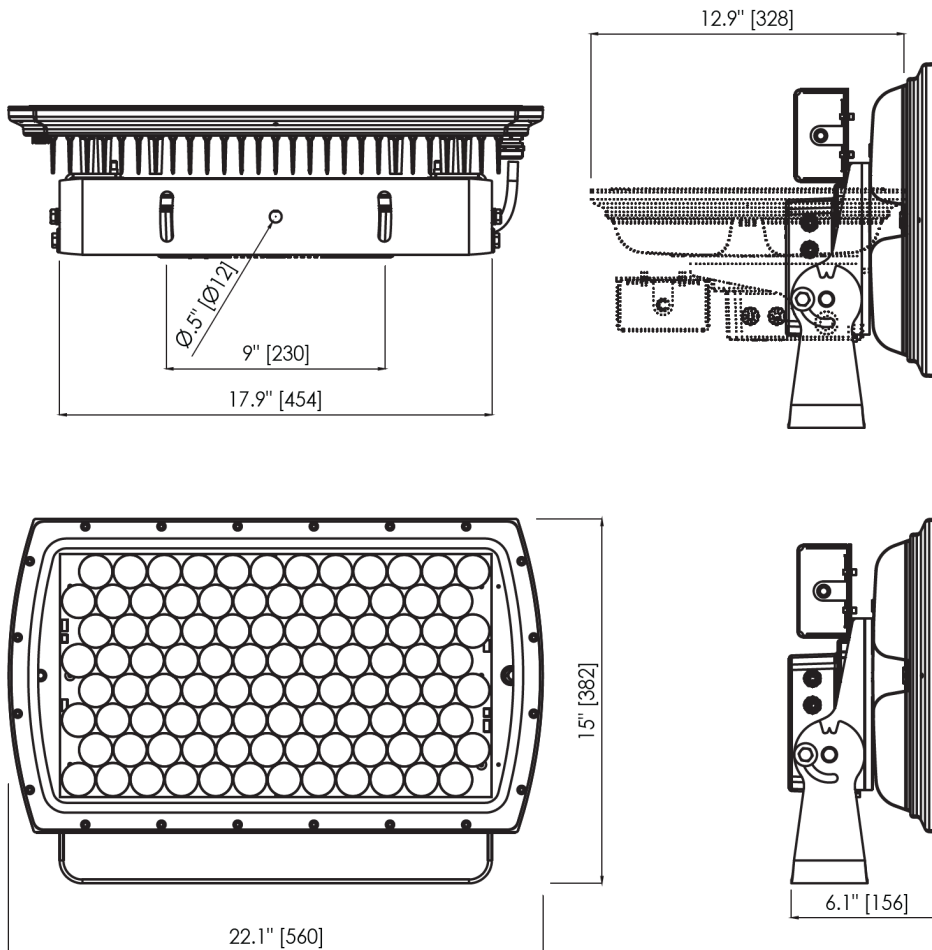
ORDERING INFORMATION

LUMINAIRE							
MODEL	COLOR	CONTROL	CABLE	VOLTAGE	OPTIC	FINISH	OPTIONS
OXXQ ONYX XQ	DW Dynamic White (2700 to 6500K)	DMX-RDM DMX/RDM	S Power in (59 in.), DMX in, DMX out (66.9 in.)	UNV 120-277V	US Ultra Spot 4°	A Anthracite Gray	AST Anti Saline Treatment
						B Black	3G 3G Mounting Bracket
						G Griven Grey	
						W White	
						CC Custom RAL Color	

		ONYX XQ		
<b>PHYSICAL</b>	<b>HOUSING</b>	Steel Mounting Yoke/Cast Aluminum Housing, scratch resistant paint		
	<b>HOUSING SIZE</b>	22.08"w x 15.05"h x 6.2"d		
	<b>WEIGHT</b>	39 lbs. (17.7 kg)		
	<b>EPA</b>	2.31 ft <sup>2</sup>		
	<b>OPERATING TEMPERATURE</b>	-40°C to 50°C (-40°F to 122°F)		
<b>PHOTOMETRIC</b>	<b>LED</b>	Dynamic White (2700K to 6500K White)		
	<b># LEDs</b>	96 High Brightness Power LEDs		
	<b>DELIVERED LUMEN OUTPUT</b>	19553 lumens		
	<b>EFFICACY</b>	Up to 68 lumens per watt		
	<b>L70 LUMEN MAINTENANCE</b>	100,000 Hours @ 25°C		
	<b># DISTRIBUTIONS</b>	1		
	<b>LIGHT CONTROL ACCESSORIES</b>	Snoot, 3G Mounting Yoke (Contact Factory)		
<b>LIGHT DISTRIBUTIONS*</b> <small>*Values based on full output</small>	<b>DISTRIBUTION</b>	<b>BEAM ANGLE</b>	<b>LUMENS</b>	<b>MAX CANDELA</b>
	ULTRA SPOT	4°	19553	2,672,406
<b>ELECTRICAL</b>	<b>POWER CONSUMPTION</b>	286 watts max		
	<b>AMPERAGE</b>	2.4A @ 120V or 1.0A @ 277V		
	<b>CONTROL</b>	DMX/RDM. Includes onboard standalone sequencing or master-satellite operation without DMX control systems when programmed with infra-red configuration remote (Ordering code AL1321)		
	<b>MODES</b>	- DW (2 channels)                                      - Master/Satellite - DW + Intensity (3 channels)                      - Stand-Alone Fixed CCT - DW 16-Bit Mode (4 channels)		
<b>CERTIFICATIONS</b>	<b>SAFETY</b>	CSA Listed for Wet Locations (Pending)		
	<b>INGRESS PROTECTION</b>	IP67		
	<b>IMPACT RATING</b>	IK09		
	<b>EUROPEAN</b>	RoHS		

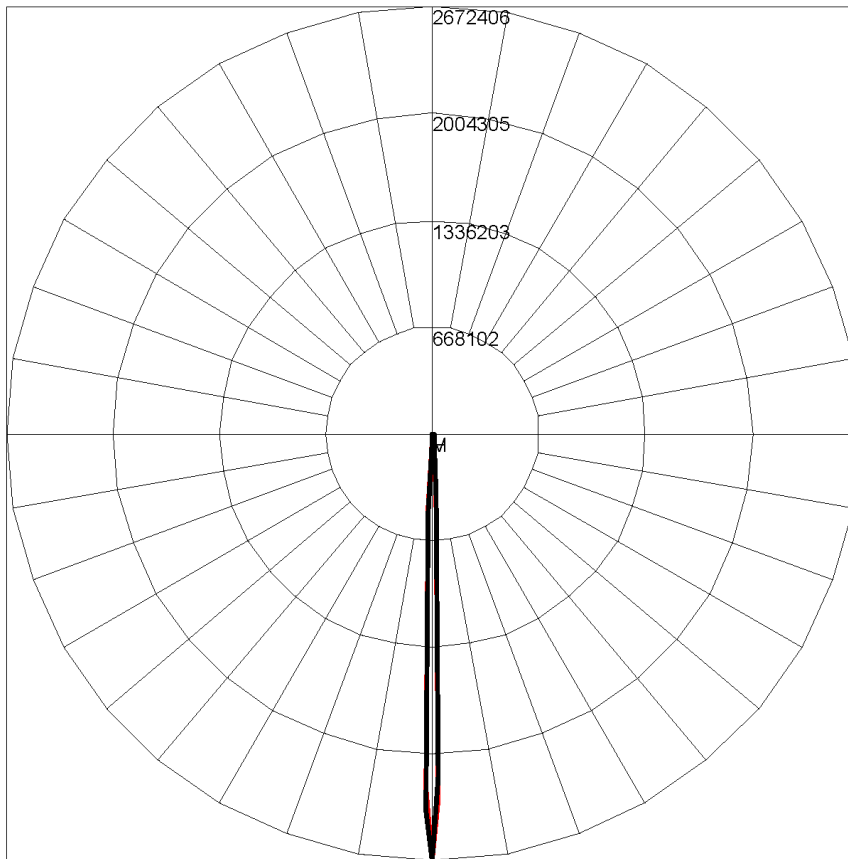
DIMENSIONS

All dimensions are shown in inches unless otherwise noted.



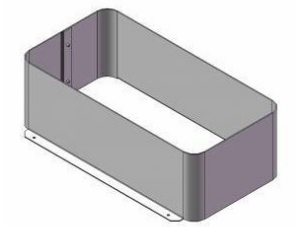
**ULTRA SPOT 4°**

Maximum Candela = 2672406 / 19553 lms

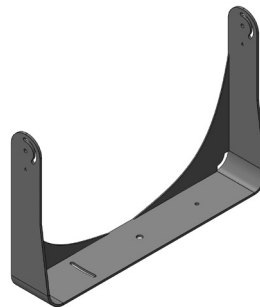


Maximum Candela = 2672406.25 Located At Horizontal Angle = 0, Vertical Angle = 0  
H - Horizontal Axial Candela  
V - Vertical Axial Candela

ACCESSORIES



**AL4108- XX\***  
Snoot



**AL8257- XX\***  
Mounting Yoke

**XX\*- ACCESSORY FINISHES**

AG	Anthracite Grey
BL	Black
SG	Griven Silver Grey
WH	White
CC	Custom Color

CONNECTIONS

