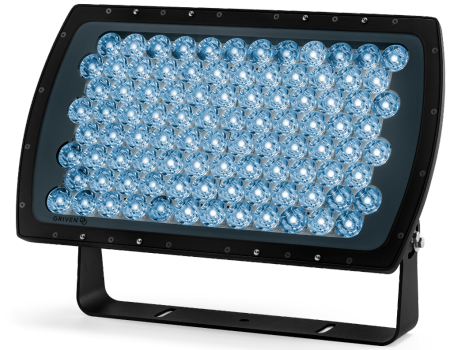


DESCRIPTION

ONYX XQ sets the standard for ultra-narrow beam floodlights where precise and uniform illumination at long distances is required. The award-winning luminaire combines 96 high power LEDs in static white with precision optics to produce a very narrow 3.2° beam. The LED driver is thermally isolated in a separate compartment for enhanced longevity. On-board control panel allows for stand-alone or master-satellite operation, as well as interface to external DMX controllers. Accessories for light control are available. All hardware is stainless steel.



Date: _____ Type: _____ Catalog Number: _____

Project Name: _____

ORDERING INFORMATION

| LUMINAIRE | | | | | | | |
|-----------------|--------------|--------------------|---|-----------------|-----------------------|--------------------------|------------------------------|
| MODEL | CCT | CONTROL | CABLE | VOLTAGE | OPTIC | FINISH | OPTION |
| OXXQ ONYX XQ | 27K 2700K | DMX-RDM DMX/RDM | S Power in, DMX in, DMX out (59") | UNV 120-277V | US Ultra Spot 3.2° | AG Anthracite Gray | AST Anti-Saline Treatment |
| | 30K 3000K | | | | | BL Black | 3G 3G Mounting Yoke |
| | 40K 4000K | | | | | SG Griven Silver Grey | |
| | | | | | | WH White | |
| | | | | | | CC Custom RAL Color | |

*Consult factory for availability of other optical options.

See Page 4 for ordering information of available accessories.

| | | ONYX XQ |
|----------|-----------------------|---|
| PHYSICAL | HOUSING | Die-Cast Aluminum with Scratch Resistant Finish |
| | MOUNTING | Steel Mounting Yoke |
| | LENS | Clear Tempered Glass |
| | DIMENSIONS | 22.09" L x 5.98" W x 15.08" H |
| | WEIGHT | 39 Pounds |
| | OPERATING TEMPERATURE | -40°F to 122°F (-40°C to 50°C) |

| | | |
|------------|---------|--|
| ELECTRICAL | POWER | 286 Watts |
| | CURRENT | 2.38 amps at 120 volts 1.03 amps at 277 volts |
| | CONTROL | DMX-RDM |
| | CABLE | 59" Power In, DMX In, DMX Out Cables |
| | MODES | - Intensity (1 Channel) - Stand-Alone Dimmer |

| | | |
|-------------|---------------------------|-------------------------------------|
| PHOTOMETRIC | LED | Static White 2700K, 3000K, or 4000K |
| | NUMBER OF LEDS | 96 High- Power LEDs |
| | DRIVER LOCATION | Integral |
| | DELIVERED LUMEN OUTPUT | up to 20952 lumens |
| | EFFICACY | up to 73 lumens per watt |
| | LUMEN MAINTENANCE | L70 > 100,000 Hours at 77°F* |
| | LIGHT CONTROL ACCESSORIES | Snoot Available |

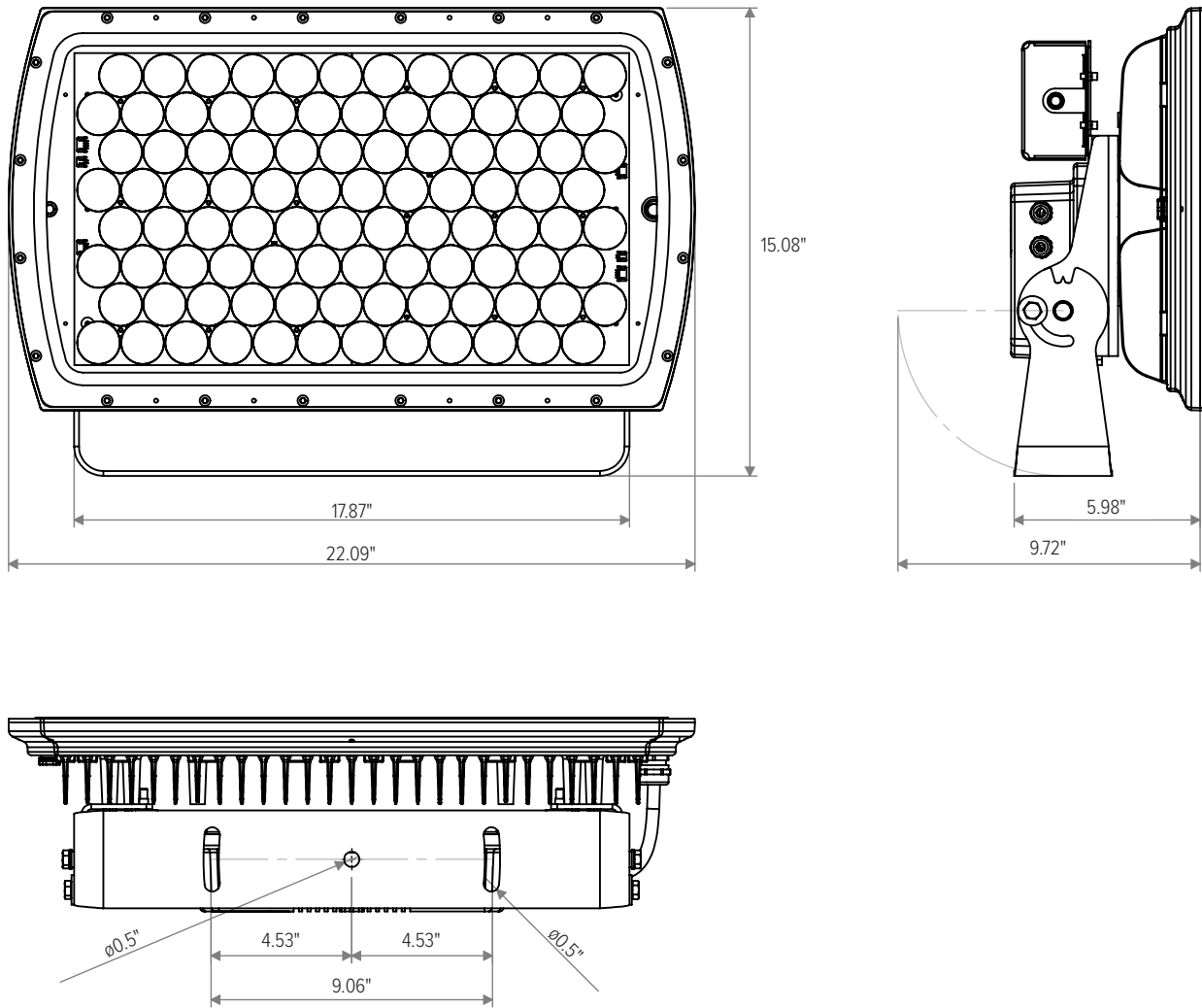
| LIGHT DISTRIBUTIONS | DISTRIBUTION | BEAM ANGLE | 2700K | | 3000K | | 4000K | |
|------------------------------|--------------|------------|------------|----------|--------|----------|--------|----------|
| | | | LUMENS | EFFICACY | LUMENS | EFFICACY | LUMENS | EFFICACY |
| | | | Ultra-Spot | 3.2° | 17011 | 59 | 19553 | 68 |
| Values based on full output. | | | | | | | | |

| | | |
|----------------|--------------------|---------------------------------|
| CERTIFICATIONS | SAFETY | ETL Certified for Wet Locations |
| | INGRESS PROTECTION | IP66 |
| | IMPACT RATING | IK10 |
| | WARRANTY | Limited Five Year Warranty |

* LED life may vary under actual field conditions due to external factors. Lifetime estimates are generated from actual testing in a controlled environment. Values are conservatively derived from those numbers.

DIMENSIONS

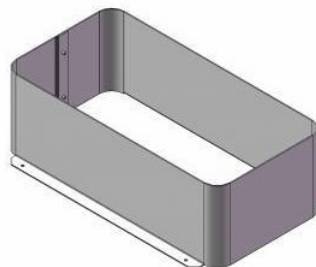
All dimensions are shown in inches unless otherwise noted.



ACCESSORIES

NOTE: Accessories are ordered and shipped separately from luminaire for field installation.

-XX* indicates a painted accessory. See bottom of page for painted accessory ordering information.



OXXQ-SNOOT-XX*

Snoot

ORDERING INFORMATION

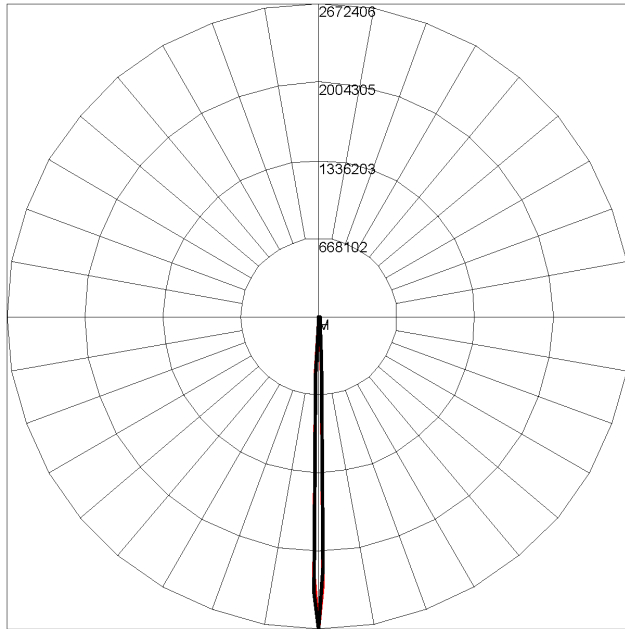
PAINTED ACCESSORIES

| MODEL | | FINISH (*-XX) | | OPTION | |
|------------|-------|---------------|--------------------|--------|-----------------------|
| OXXQ-SNOOT | Snoot | AG | Anthracite Grey | AST | Anti-Saline Treatment |
| | | BL | Black | | |
| | | SG | Griven Silver Grey | | |
| | | WH | White | | |
| | | CC | Custom RAL Color | | |

PHOTOMETRICS - CANDELA DISTRIBUTION

ULTRA SPOT 3.2° - 3000K

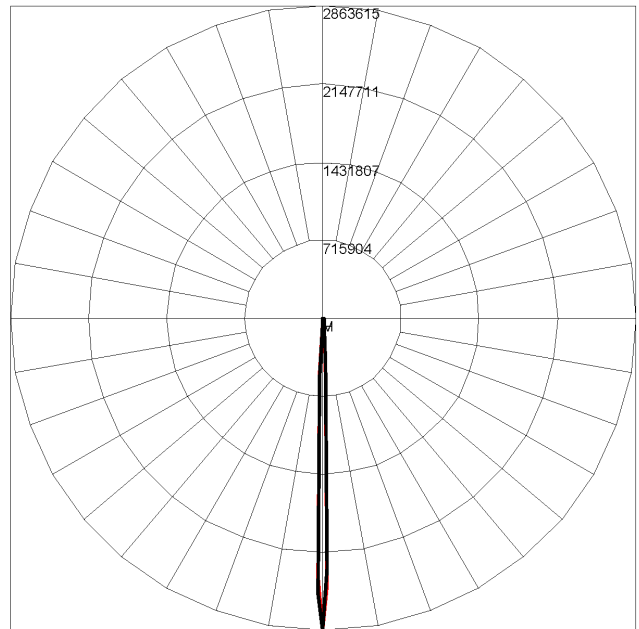
Maximum Candela = 2672406 / 19553 Lumens



Maximum Candela = 2672406.25 Located At Horizontal Angle = 0, Vertical Angle = 0
H - Horizontal Axial Candela
V - Vertical Axial Candela

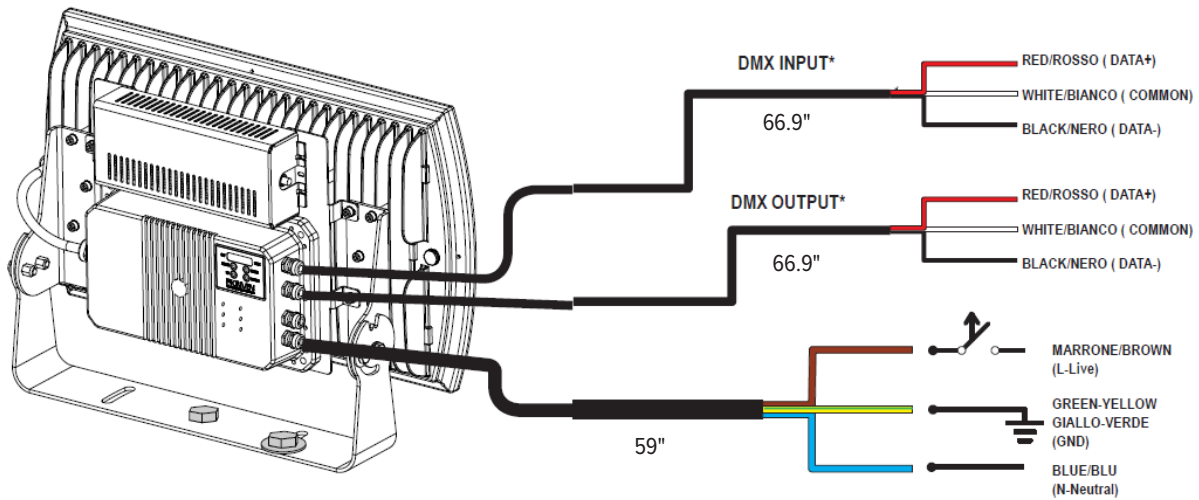
ULTRA SPOT 3.2° - 4000K

Maximum Candela = 2863615 / 20952 Lumens



Maximum Candela = 2863614.5 Located At Horizontal Angle = 0, Vertical Angle = 0
H - Horizontal Axial Candela
V - Vertical Axial Candela

CONNECTIONS



*Contact Factory for 0-10v wiring connection diagram