

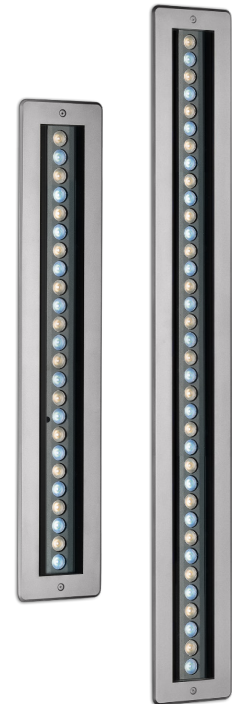
PARADE L RECESSED

Dynamic White



DESCRIPTION

PARADE L recessed linear luminaires are available in two or three foot lengths. Each model features premium quality high-brightness LEDs and a comprehensive selection of eight light distributions. Standard built-in programming capabilities include standalone or master-satellite configurations without the use of external control systems, or operation by remote DMX512 control systems. Recessed housing, trim, and hardware are stainless steel.



Date: _____ Type: _____ Catalog Number: _____

Project Name: _____

ORDERING INFORMATION

LUMINAIRE						
MODEL	CCT	CONTROL	CABLE	VOLTAGE	OPTIC	OPTION
PDL2R Parade L2 Recessed- 2' Length	DW Dynamic White (2700K to 6500K)	DMX-RDM DMX-RDM	M Monocable only (19.7")	UNV 120-277v	SP Spot 8°	LVR Internal Honeycomb Louver
PDL3R Parade L3 Recessed- 3' Length					NB Narrow 10°	
PDL2RPE Parade L2 Recessed Polar Edition- 2' Length					MB Medium 26°	
PDL3RPE Parade L3 Recessed Polar Edition- 3' Length					WB Wide 40°	
					EW Extra Wide 58°	
					ELH Elliptical 42° x 11°	
					ELWH Elliptical Wide 40° x 24°	
					WW Wall Wash 36° x 15° (5° Incline)	

Custom options are available; consult factory for assistance via phone at (864) 487-3535 ext. 258 or via email at DesignServices@EXP-Brands.com.

See Page 4 for ordering information of available and required accessories.



PARADE L RECESSED

Dynamic White



		PARADE L2 RECESSED	PARADE L3 RECESSED
PHYSICAL	HOUSING	Extruded Aluminum	
	LENS	Tempered Glass	
	DRIVER LOCATION	Integral	
	DIMENSIONS (LUMINAIRE + BACK BOX)	26 3/4" L x 5 5/8" W x 4 1/2" H	38 3/4" L x 5 5/8" W x 4 5/8" H
	WEIGHT	15.2 Pounds	21 Pounds
OPERATING TEMPERATURE		-40°F to 122°F (-40°C to 50°C)	

ELECTRICAL	VOLTAGE	Universal 120 to 277 Volts	
	POWER CONSUMPTION	38 Watts	58 Watts
	CURRENT	0.32 Amps at 120 Volts 0.14 Amps at 277 Volts	0.48 Amps at 120 Volts 0.21 Amps at 277 Volts
	CONTROL	DMX-RDM	

PHOTOMETRIC	LED	Dynamic White (2700K to 6500K)
	CRI	70 (Cold White), 80 (Warm White)
	LUMEN MAINTENANCE	L80 > 70,000 Hours at 77°F*

			PARADE L2 RECESSED	PARADE L3 RECESSED		
LIGHT DISTRIBUTIONS	DISTRIBUTION	BEAM ANGLE	LUMENS	EFFICACY	LUMENS	EFFICACY
	SPOT	8°	4220	111	6331	111
	NARROW	10°	3872	102	5808	102
	MEDIUM	26°	3800	100	5700	100
	WIDE	40°	3665	96	5497	96
	EXTRA-WIDE	58°	3029	80	4544	80
	ELLIPTICAL	42° X 11°	3515	93	5274	93
	ELLIPTICAL WIDE	40° X 24°	3514	92	5271	92
	WALL WASH	36° X 15° (5° INCLINE)	3358	88	5038	88

CERTIFICATIONS	SAFETY	ETL Certified for Wet Locations
	INGRESS PROTECTION	IP67
	IMPACT RATING	IK10
	WARRANTY	Five Year Limited Warranty

* LED life may vary under actual field conditions due to external factors. Lifetime estimates are generated from actual testing in a controlled environment. Values are conservatively derived from those numbers.

PARADE L RECESSED

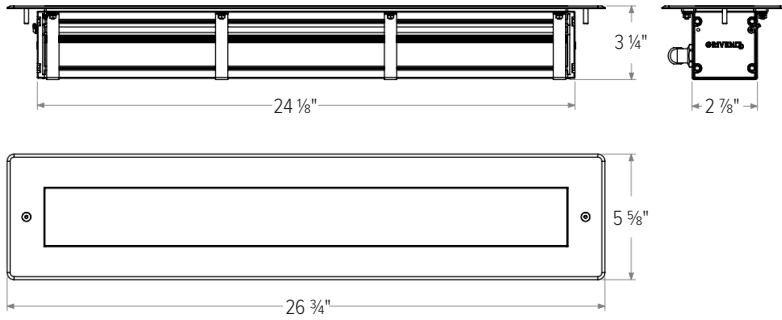
Dynamic White



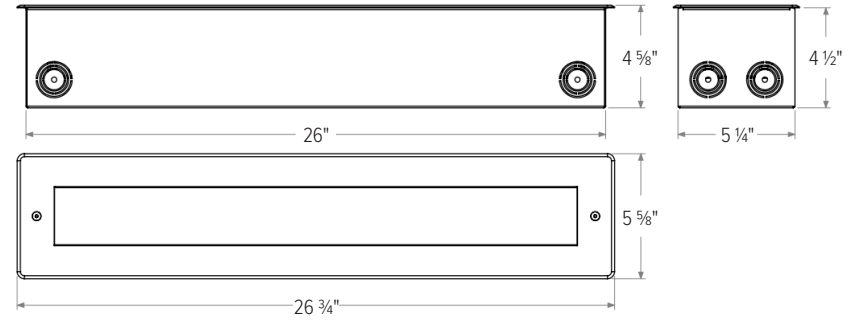
DIMENSIONS

All dimensions are shown in inches unless otherwise noted.

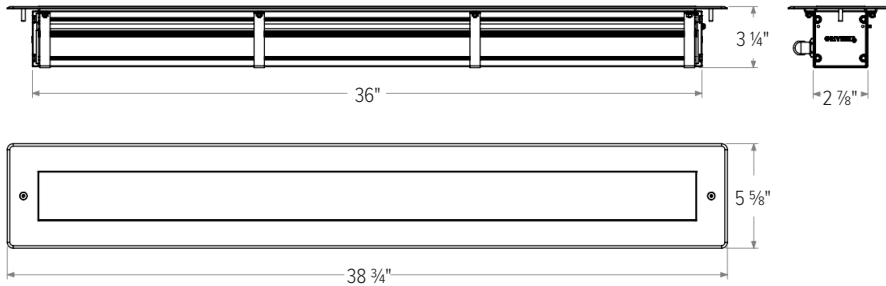
PARADE L2 RECESSED
Luminaire Dimensions



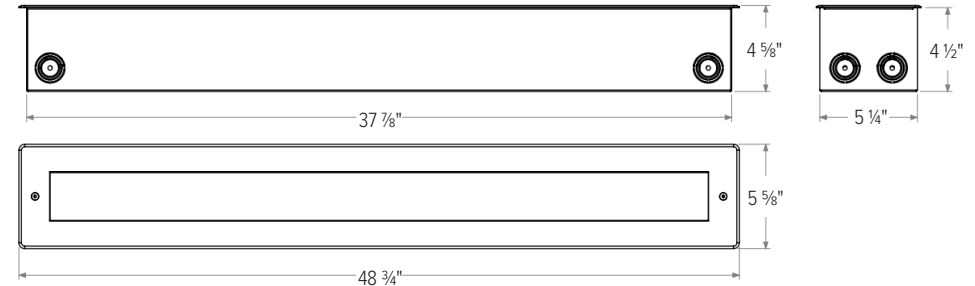
PARADE L2 RECESSED
Back Box Dimensions



PARADE L3 RECESSED
Luminaire Dimensions



PARADE L3 RECESSED
Back Box Dimensions

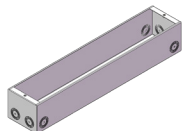


ACCESSORIES

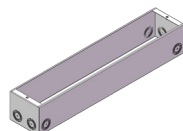
NOTE: Accessories are ordered and shipped separately from luminaire for field installation.



IR-CONFIG-REMOTE
Infrared DMX Configuration Remote



PDL2R-RBB
Parade L2 Recessed Back Box



PDL3R-RBB
Parade L3 Recessed Back Box



GRIVEN-CON-KIT-8287
Connection Kit for "M" Cable Type

ORDERING INFORMATION

UNPAINTED ACCESSORIES

MODEL

IR-CONFIG-REMOTE

Infrared DMX Configuration Remote¹

PDL2R-RBB

Parade L2 Recessed Back Box

PDL3R-RBB

Parade L3 Recessed Back Box

GRIVEN-CON-KIT-8287

Connection Kit for "M" Cable

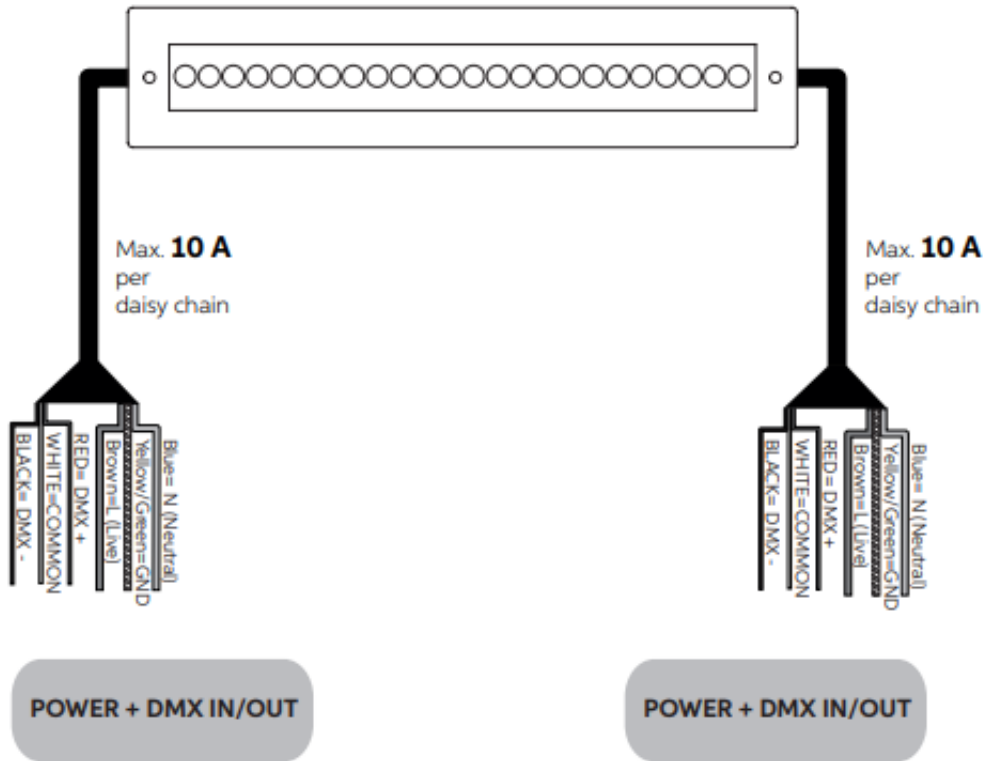
¹Unless an RDM compatible control is used, one IR-CONFIG-REMOTE must always be purchased with one or more DMX/RDM luminaires in order to access DMX addressing.

PARADE L RECESSED

Dynamic White



CONNECTIONS



CUSTOMIZE YOUR EXPERIENCE.

At Experience Brands, we believe every space deserves unique lighting elements. We proudly specialize in crafting solutions that reflect your personal vision. Our expert team is here to collaborate with you to design and implement customized features that elevate your environment.

Ready to Get Started? Email us at: DesignServices@exp-brands.com