

PARADE L RECESSED

RGBW



DESCRIPTION

PARADE L recessed linear luminaires are available in two or three foot lengths. Each model features premium quality high-brightness LEDs and a comprehensive selection of eight light distributions. Standard built-in programming capabilities include standalone or master-satellite configurations without the use of external control systems, or operation by remote DMX512 control systems. Recessed housing, trim, and hardware are stainless steel.



IP67/ IK10 /  / 

Date: _____ Type: _____ Catalog Number: _____

Project Name: _____

ORDERING INFORMATION

LUMINAIRE						
MODEL	CCT	CONTROL †	CABLE	VOLTAGE	OPTIC	OPTION
PDL2R Parade L2 Recessed- 2' Length	RGBW30K RGBW (3000K White)	DMX-RDM DMX-RDM	M Monocable only (19.7")	UNV 120-277v	SP Spot 8°	LVR Internal Honeycomb Louver
PDL3R Parade L3 Recessed- 3' Length	RGBW40K RGBW (4000K White)				NB Narrow 10°	
PDL2RPE Parade L2 Recessed Polar Edition- 2' Length					MB Medium 26°	
PDL3RPE Parade L3 Recessed Polar Edition- 3' Length					WB Wide 40°	
					EW Extra Wide 58°	
					ELH Elliptical 42° x 11°	
					ELWH Elliptical Wide 40° x 24°	
					WW Wall Wash 35° x 15° (5° incline)	

† Consult factory for availability of per-foot resolution.

* Consult factory for availability of additional optical options.

BACK BOX (Required, Ordered Separately)		ACCESSORIES	WIRING ACCESSORIES
PDL2R-RBB	Parade L2 Recessed Back Box	AL1321 ***	Infrared Remote Control
PDL3R-RBB	Parade L3 Recessed Back Box		See separate Wiring and Accessory Application Sheet

*** Unless an RDM compatible control is used, one AL1321 Infrared Remote Control must always be purchased for one or more DMX/RDM luminaires in order to access DMX addressing.

PARADE L RECESSED

RGBW



		PARADE L2R	PARADE L3R			
PHYSICAL	HOUSING	Extruded Aluminum				
	HOUSING SIZE	27" L x 5.5" W x ø4.5"	38.5" L x 5.5" W x ø4.5"			
	WEIGHT	14.5 lbs	20.3 lbs			
ELECTRICAL	POWER CONSUMPTION	38 watts max	59 watts max			
	AMPERAGE	0.32A @ 120VAC 0.15A @ 277VAC	0.50A @ 120VAC 0.22A @ 277VAC			
	EFFICACY	Up to 40.2 lumens per watt				
	LUMEN OUTPUT	1115 to 1643 lumens	1672 to 2538 lumens			
	CONTROL PROTOCOLS *	DMX/RDM Self-Addressing Standalone Master-Satellite DMX/RDM Addressable per foot (Contact Factory) * See separate DMX Mode Application Sheet				
	CABLE LENGTH	DMX In & Out: 19.7 inches				
	OPERATING TEMPERATURE	-40°C to 50°C (-40°F to 122°F)				
PHOTOMETRIC	LED	RGBW (3000K or 4000K White)				
	# LEDS	24	36			
	L70 LUMEN MAINTENANCE	100,000 Hours @ 25°C				
	# DISTRIBUTIONS	Eight				
	LIGHT CONTROL ACCESSORIES	Internal Honeycomb Louver; Consult Factory for Availability of Optional Spreading Diffusers				
LIGHT DISTRIBUTIONS *	DISTRIBUTION	BEAM ANGLE	LUMENS	MAX CANDELA	LUMENS	MAX CANDELA
	SPOT	8°	1643	39,867	2538	63,884
	NARROW	10°	1579	18,504	2440	28,594
	MEDIUM	26°	1584	6,346	2447	9,804
	WIDE	40°	1425	2,593	2201	4,005
	EXTRA WIDE	58°	1115	1,168	1672	5,414
	ELLIPTICAL	42° X 11°	1479	6,586	2285	10,176
	ELLIPTICAL WIDE	40° X 24°	1361	3,458	2102	5,340
WALL WASH (INCLINED 5°)	35° X 15°	1429	6,254	2208	9,664	
* Values based on full RGBW output						
CERTIFICATIONS	SAFETY	ETL Listed for Wet Locations				
	INGRESS PROTECTION	IP67				
	IMPACT RATING	IK10				
	EUROPEAN	RoHS				
ACCESSORIES	INTERNAL HONEYCOMB LOUVER	x			x	
	INFRARED REMOTE CONTROL	x			x	

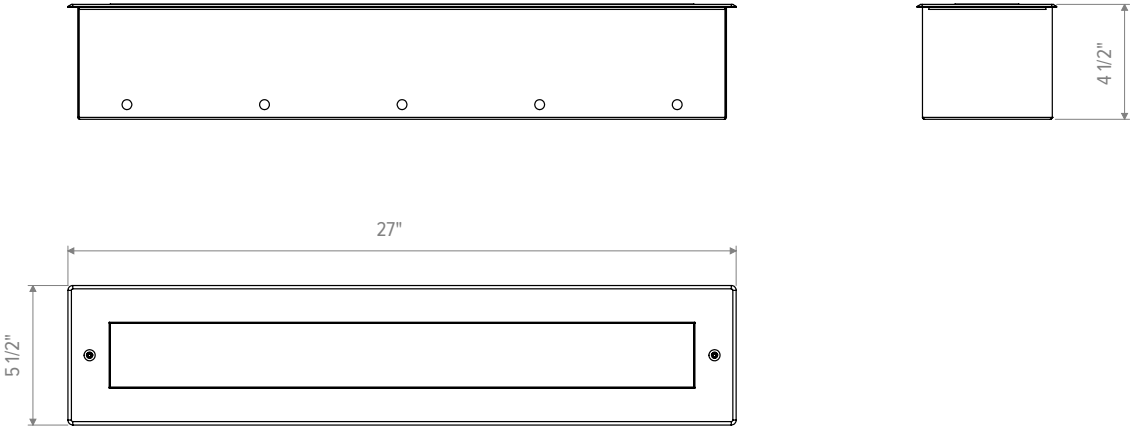
PARADE L RECESSED

RGBW

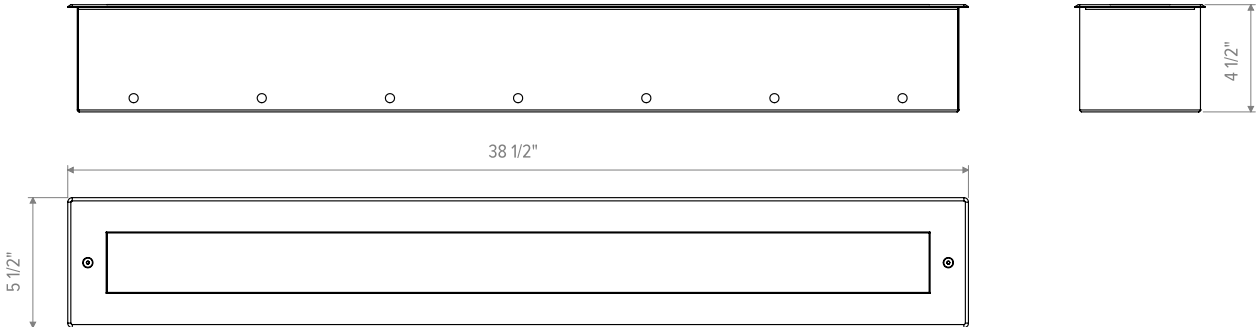


DIMENSIONS All dimensions are shown in inches unless otherwise noted.

PDL2R



PDL3R

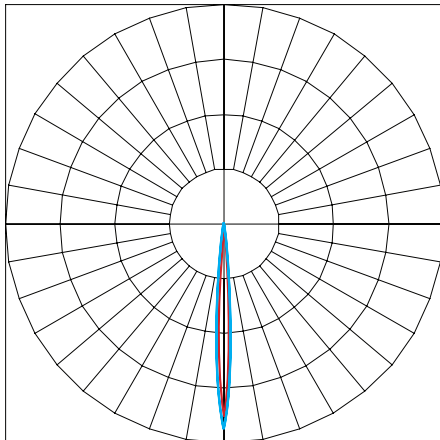


PHOTOMETRICS

Values shown are for PDL2R. Multiply by 1.5 to obtain values for PDL3R.

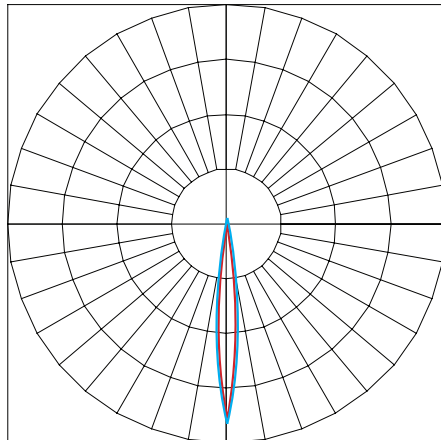
CANDELA DISTRIBUTION

SPOT 8°



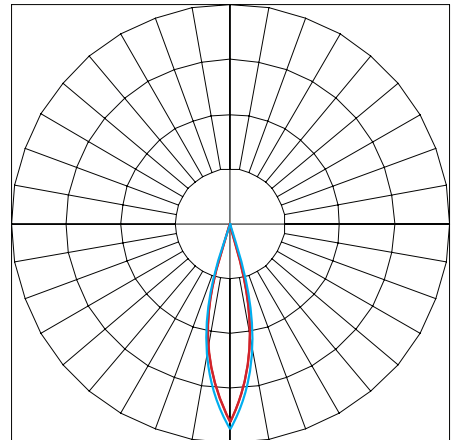
— HORIZONTAL
— VERTICAL CBCP 40083 1643 lm

NARROW 12°



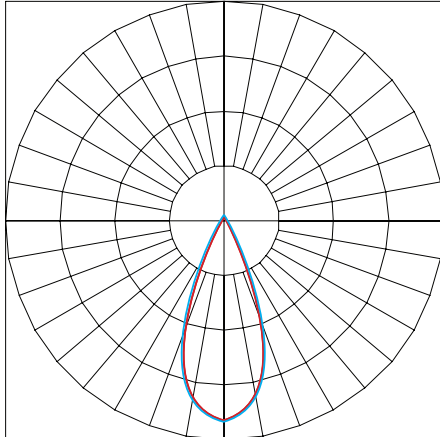
— HORIZONTAL
— VERTICAL CBCP 18596 1579 lm

MEDIUM 26°



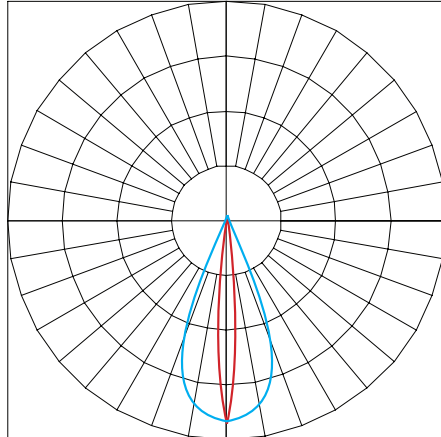
— HORIZONTAL
— VERTICAL CBCP 6368 1584 lm

WIDE 40°



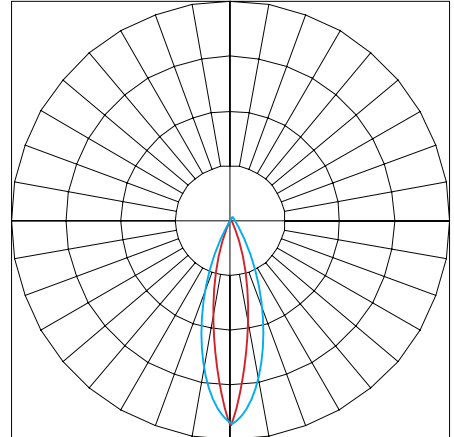
— HORIZONTAL
— VERTICAL CBCP 2594 1425 lm

ELLIPTICAL 42° X 11°



— HORIZONTAL
— VERTICAL CBCP 6614 1479 lm

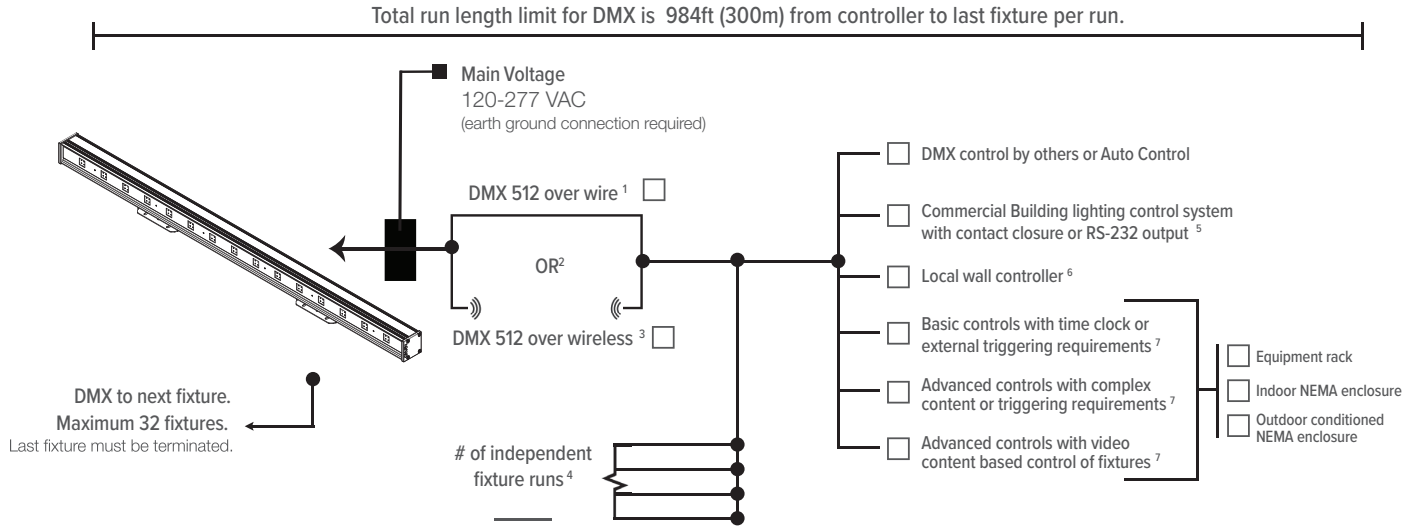
ELLIPTICAL WIDE 40° X 24°



— HORIZONTAL
— VERTICAL CBCP 3490 1361 lm

CONTROL OPTIONS (DMX512, PRIMARY CONTROL PLATFORM)

Contact manufacturer for control system development.

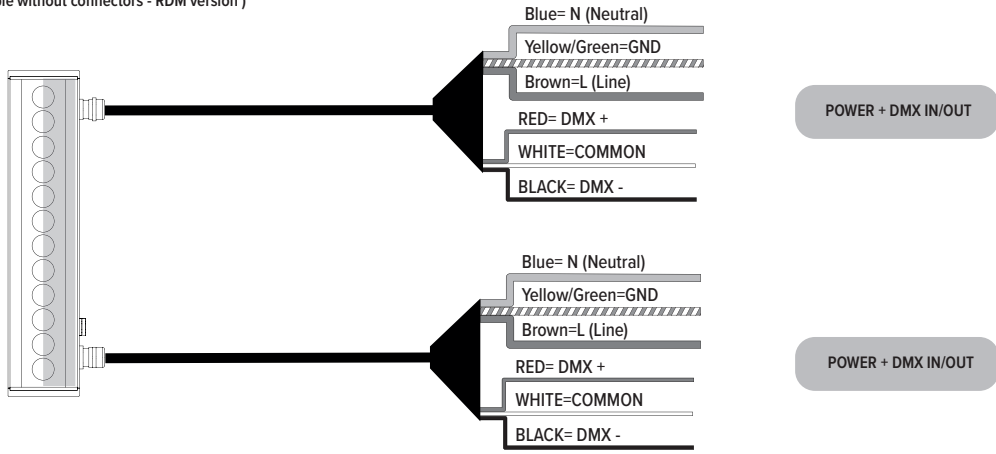


NOTES

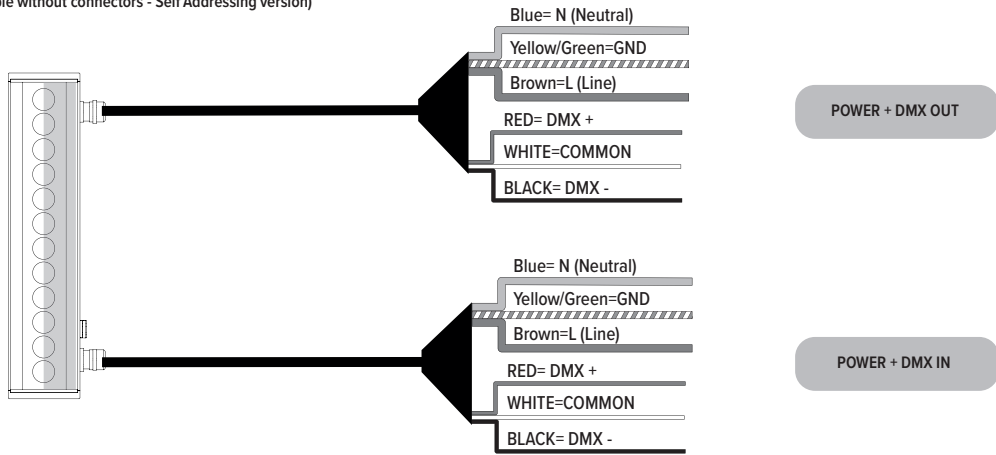
1. Wire specifications are available from factory as well as approved wire for purchase.
2. Other control protocol solutions available. Contact factory for more information.
3. Wireless components are external to fixture. Distance limitations based on antennas chosen and site conditions. Contact factory for more information.
4. Based on maximum of 32 fixtures per run as well as any site constraints on conveyance of data.
5. For example: Lutron, Crestron, Encelium, Douglas, ETC by others. Griven control system will interface with building lighting control system.
6. Local wall controller for small applications. Wall controllers specified separately for larger systems.
7. Contact factory for assistance with specification. Onsite commissioning by Griven of control system is required.

CONNECTIONS

"M" Type cable (Monocable without connectors - RDM version)

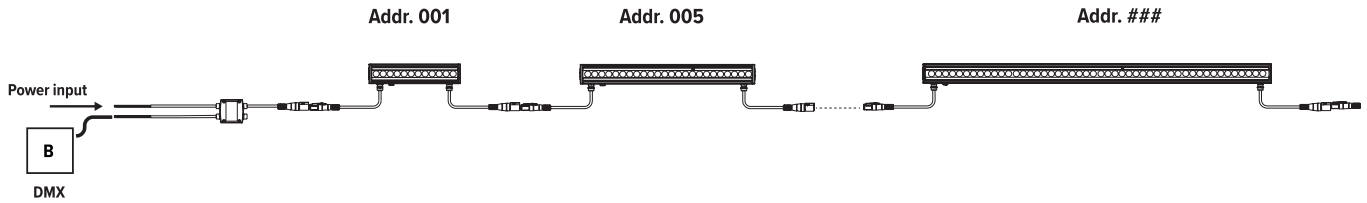


"M" Type cable (Monocable without connectors - Self Addressing version)



OPERATING MODES

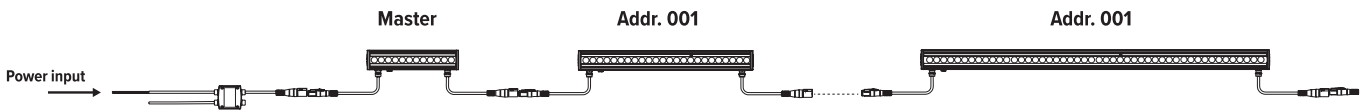
DMX Mode



Example with fixtures set at 4 DMX channels

Master-Slave / Automatic / Fixed color Mode

(Only DMX Mode #1)



WARNING ! in this mode, no other DMX control device must be present along the line.