

DESCRIPTION

RUBY R recessed in grade luminaire offers diverse options for spotlighting or wall grazing through an extensive collection of symmetric, elliptical, and wall washing optics. It is available in dynamic white or static white in 3000K or 4000K color temperatures. Programming is easily accomplished via a remote infrared controller and will operate in DMX, automatic, or master-satellite modes for expanded versatility. The 11" diameter luminaire has an overall depth of less than six inches, making it suitable for a wide variety of installation conditions for interior or exterior applications. All hardware is stainless steel.



IP66 / IK09 / CE /  <sub>c</sub> <sub>us</sub>

Date: \_\_\_\_\_ Type: \_\_\_\_\_ Catalog Number: \_\_\_\_\_

Project Name: \_\_\_\_\_



ORDERING INFORMATION

LUMINAIRE					
MODEL	CCT	CONTROL	CABLE	VOLTAGE	OPTIC
RUBYR Ruby Recessed	DW Dynamic White (2700K to 6500K)	DMX-RDM DMX/RDM	S Power In (7.9 in.), DMX In, DMX Out (59 in.)	UNV 120 - 277v	SP Spot 12°
	30K 3000K				NB Narrow 15°
	40K 4000K				MB Medium 24°
					WB Wide 47°
					EW Extra-Wide 58°
					ELH Elliptical Horizontal 40° x 14°
					ELWH Elliptical-Wide Horizontal 38° x 23°
<b>MOUNTING ACCESSORIES (REQUIRED, ORDER SEPARATELY)</b>					
MODEL					
RUBYR-RBB Ruby R Recessed Back Box					
					WW Wall Wash/Asymmetric

See Page 4 for ordering information of available accessories.

RUBY RECESSED		
PHYSICAL	HOUSING	Stainless Steel Flange With Die-Cast Aluminum Body
	LENS	PMMA with Tempered Glass Screen
	LOAD BEARING CAPACITY	4409 Pounds
	IN-GROUND RATING	Drive-Over Rated
	DRIVER LOCATION	Integral
	DIMENSIONS	ø11" x 4¾" Depth
	WEIGHT	10.8 Pounds
	OPERATING TEMPERATURE	-40°F to 122°F (-40°C to 50°C)

ELECTRICAL	POWER	36 Watts
	CURRENT	0.3 amps at 120 volts 0.13 amps at 277 volts
	CONTROL	DMX/RDM* <small>*Note: One Infrared Configuration Remote must be ordered unless another RDM compatible control is used. See page 4 for more information.</small>
	CABLE	DMX Cable
	CABLE LENGTH	39.3"

PHOTOMETRIC	LED	Dynamic White (3000K-6500K)	Static White 3000K
	DELIVERED LUMEN OUTPUT	up to 3556 lumens	up to 3446 lumens
	EFFICACY	up to 99 lumens per watt	up to 96 lumens per watt

LIGHT DISTRIBUTIONS	DISTRIBUTION	BEAM ANGLE	DYNAMIC WHITE (2700K TO 6500K)		STATIC WHITE 3000K	
			LUMENS	EFFICACY	LUMENS	EFFICACY
			SPOT	12°	3556	99
NARROW	15°	3367	94	3263	91	
MEDIUM	24°	3373	94	3269	91	
WIDE	47°	3407	95	3303	92	
EXTRA WIDE	58°	3418	95	3312	92	
ELLIPTICAL	40° x 14°	3326	92	3222	90	
ELLIPTICAL WIDE	38° x 23°	3025	84	2931	81	
WALL WASH	36° x 19°	2853	79	2630	73	

Values based on full output.

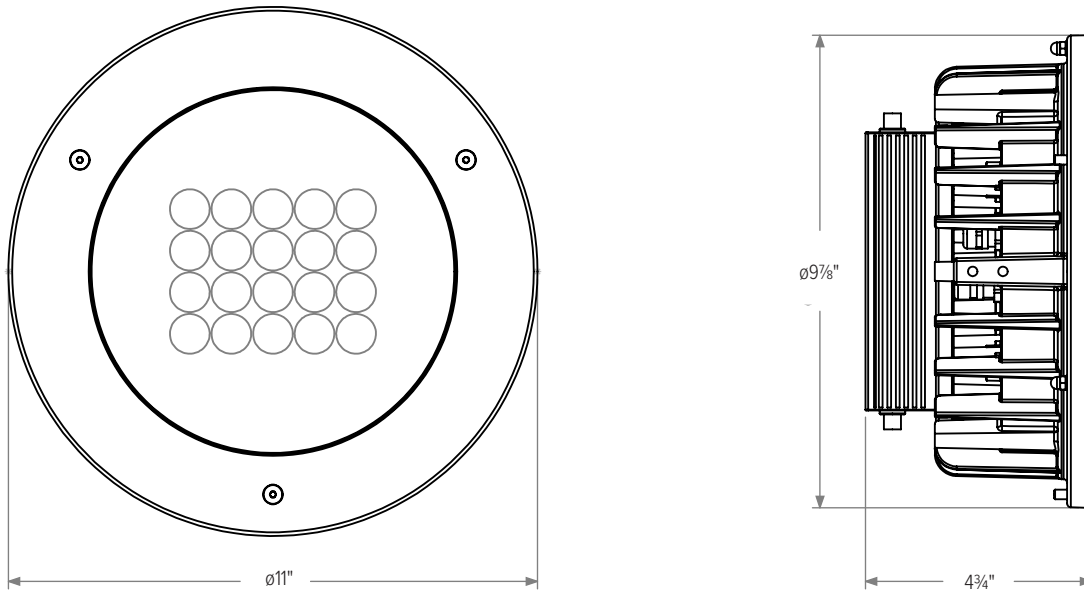
CERTIFICATIONS	SAFETY	CSA / cETL Certified
	INGRESS PROTECTION	IP67
	IMPACT RATING	IK09
	WARRANTY	Five Year Limited Warranty

\* LED life may vary under actual field conditions due to external factors. Lifetime estimates are generated from actual testing in a controlled environment. Values are conservatively derived from those numbers.

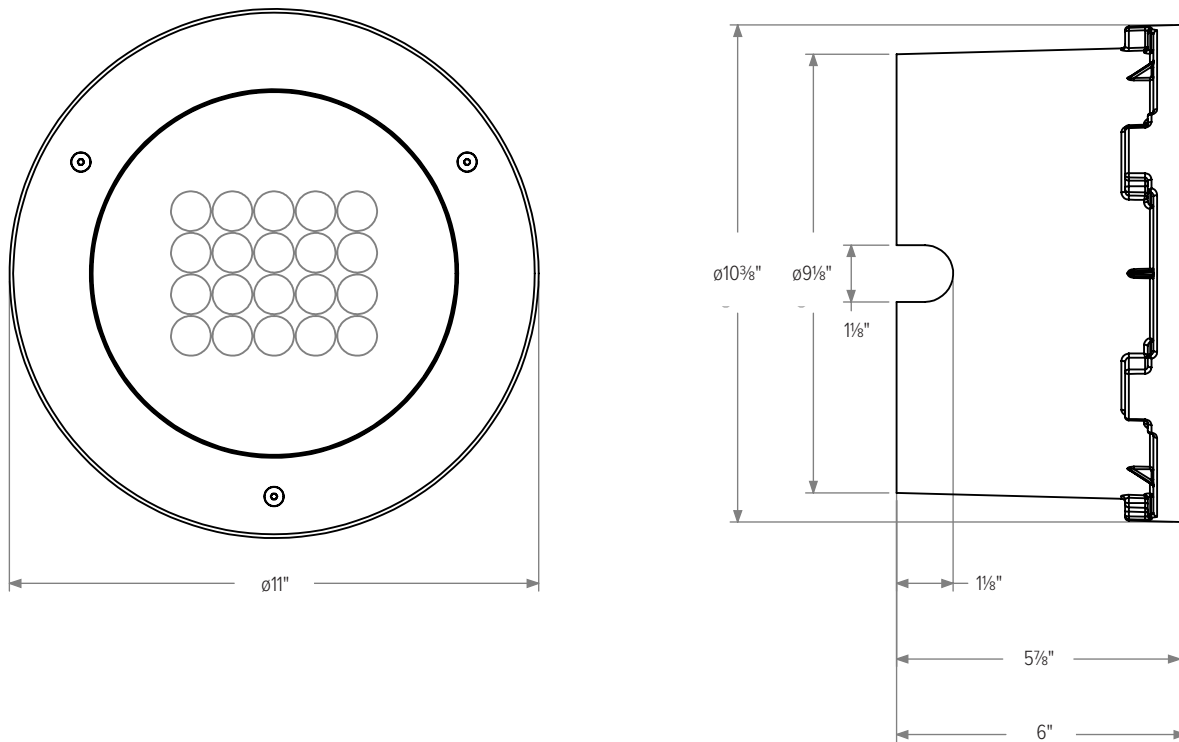
DIMENSIONS

All dimensions are shown in inches unless otherwise noted.

RUBY R



RUBY R WITH RECESSED ROUGH-IN BOX



ACCESSORIES

NOTE: Accessories are ordered and shipped separately from luminaire for field installation.



RUBYR-RRB

Formwork/Recessed Rough-In Box  
(Required, Ordered Separately)

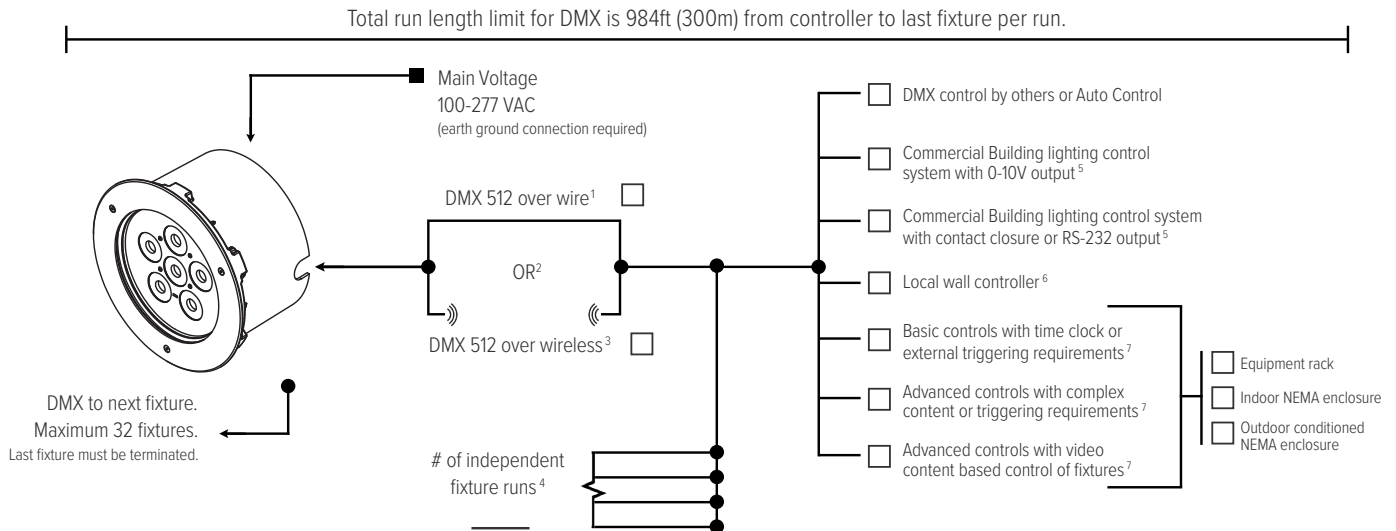


IR-CONFIG-REMOTE

Infrared DMX Configuration Remote  
(Required for DMX Configuration Unless  
Another RDM Compatible Control is Used)

CONTROL OPTIONS (DMX512, PRIMARY CONTROL PLATFORM)

Contact manufacturer for control system development.



Notes

1. Wire specifications are available from factory as well as approved wire for purchase.
2. Other control protocol solutions available. Contact factory for more information.
3. Wireless components are external to fixture. Distance limitations based on antennas chosen and site conditions. Contact factory for more information.
4. Based on maximum of 32 fixtures per run as well as any site constraints on conveyance of data.
5. For example: Lutron, Crestron, Encelium, Douglas, ETC by others. Griven control system will interface with building lighting control system.
6. Local wall controller for small applications. Wall controllers specified separately for larger systems.
7. Contact factory for assistance with specification. Onsite commissioning by Griven of control system is required.

