
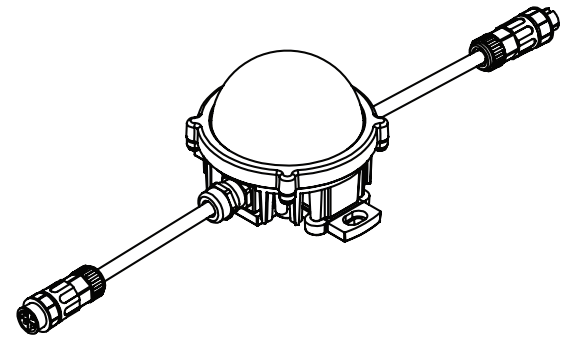


PROJECT	TYPE
SPECIFIER	DATE
ORDER #	QTY

GRAPH-I-CELL is a single pixel direct view luminaire that may be grouped in multiple units to display low resolution graphics, videos, or dynamic patterns. The low voltage, self-addressing fixture is die-cast aluminum and features six high brightness LEDs. The fully sealed luminaire operates as an individually controlled node via DMX and integrates into existing architecture with minimal effort and materials. Power and data are combined within a single cable for ease of wiring and interconnection of many units. The domed lens is available in two frosted variations for close or distant viewing. The IP65 rated luminaire is suitable for a wide range of exterior or interior applications. Monochrome versions are also available on request.

PRODUCT SPECIFICATIONS

LUMEN OUTPUT	316 lumens RGB
PITCH	5.2" minimum
LUMINANCE	13770 cd/m ² (nits)
LUMEN MAINTENANCE	100,000 hours L70 @ 25°C*
COLOR	RGB, CW (6300K), WW (3000K) (see pg 4 for customization options)
OPERATING TEMPERATURE	-30°C to 40°C (-22°F to 104°F)
HOUSING	Aluminum and opaline polymer body
MOUNTING	Two fastener tabs per node for surface mounting
WEIGHT	LED module: 1.15 lbs (0.52 Kg) Electronic driver: 8.2 lbs (3.7 Kg)
CERTIFICATION	
INGRESS PROTECTION	Wet location rated IP65
IMPACT RATING	IK10
CONTROL	DMX 512, G-data (2048 channels), Wireless and 0-10V interfaces available
ADDITIONAL FEATURES	Auto addressing / Automatic overtemperature protection



* LED life may vary under actual field conditions due to external factors. Lifetime estimates are generated from actual testing in a controlled environment, Griven values are conservatively derived from those numbers.

ELECTRICAL SPECIFICATIONS

INPUT VOLTAGE	100-277 VAC @ 50-60Hz
POWER CONSUMPTION	13W maximum (1 module full RGB) ; maximum 20 nodes per power supply
POWER FACTOR	>.98 @ 115VAC, >.94 @ 277VAC (power supply)

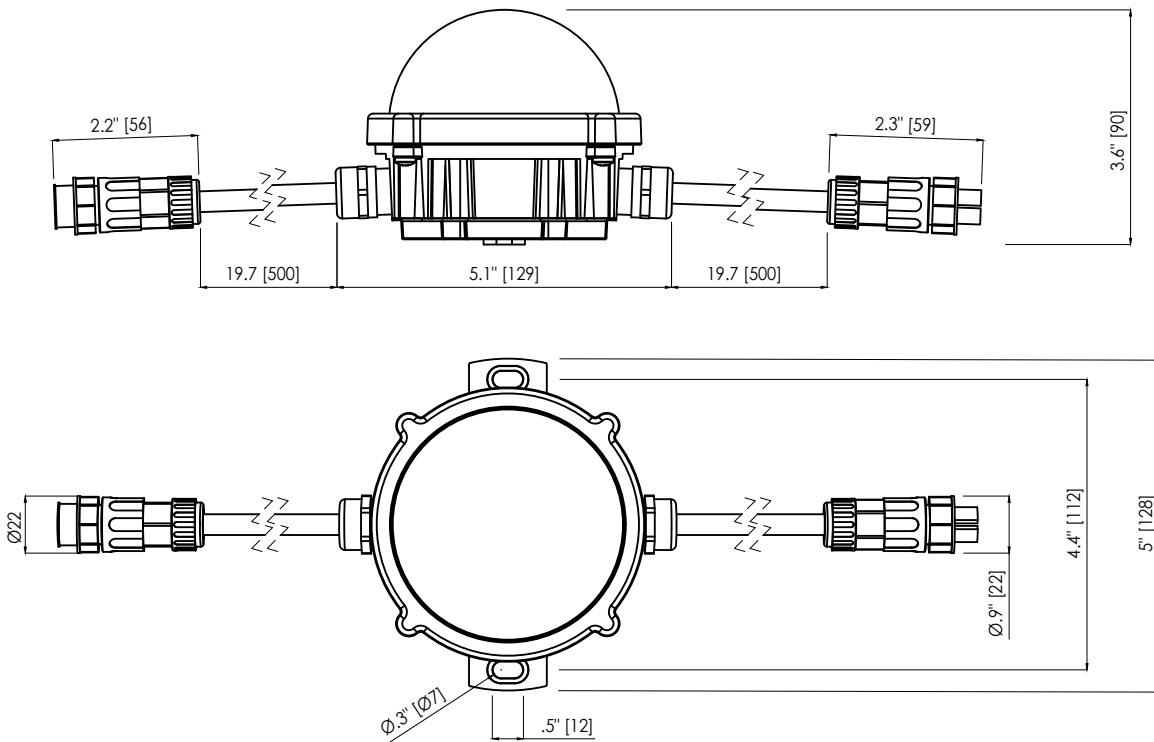
IP65 / IK10 /  / 



HOW TO ORDER

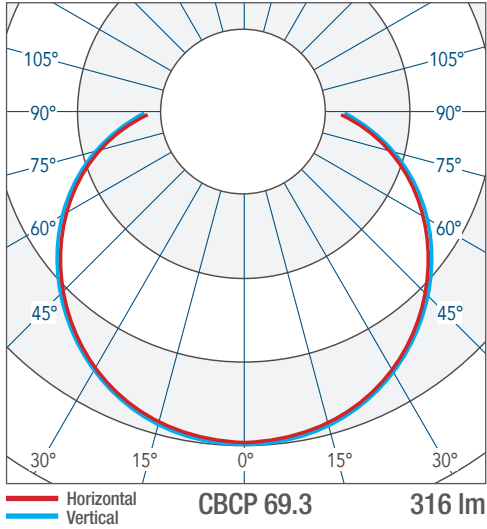
GRI130		UNV		
PART	COLOR	VOLTAGE	DIFFUSER	FINISH
	RGB	UNV 100-277V	SD Standard	SG Silver Gray
	CW 6300K		ED Extra Diffuse	CC Custom Color
	WW 3000K			SGM Silver Gray Marine Grade
	CCW Custom White			CCMG Custom Color Marine Grade
	CCM Custom Monochrome			

DIMENSIONAL DRAWINGS



PHOTOMETRICS

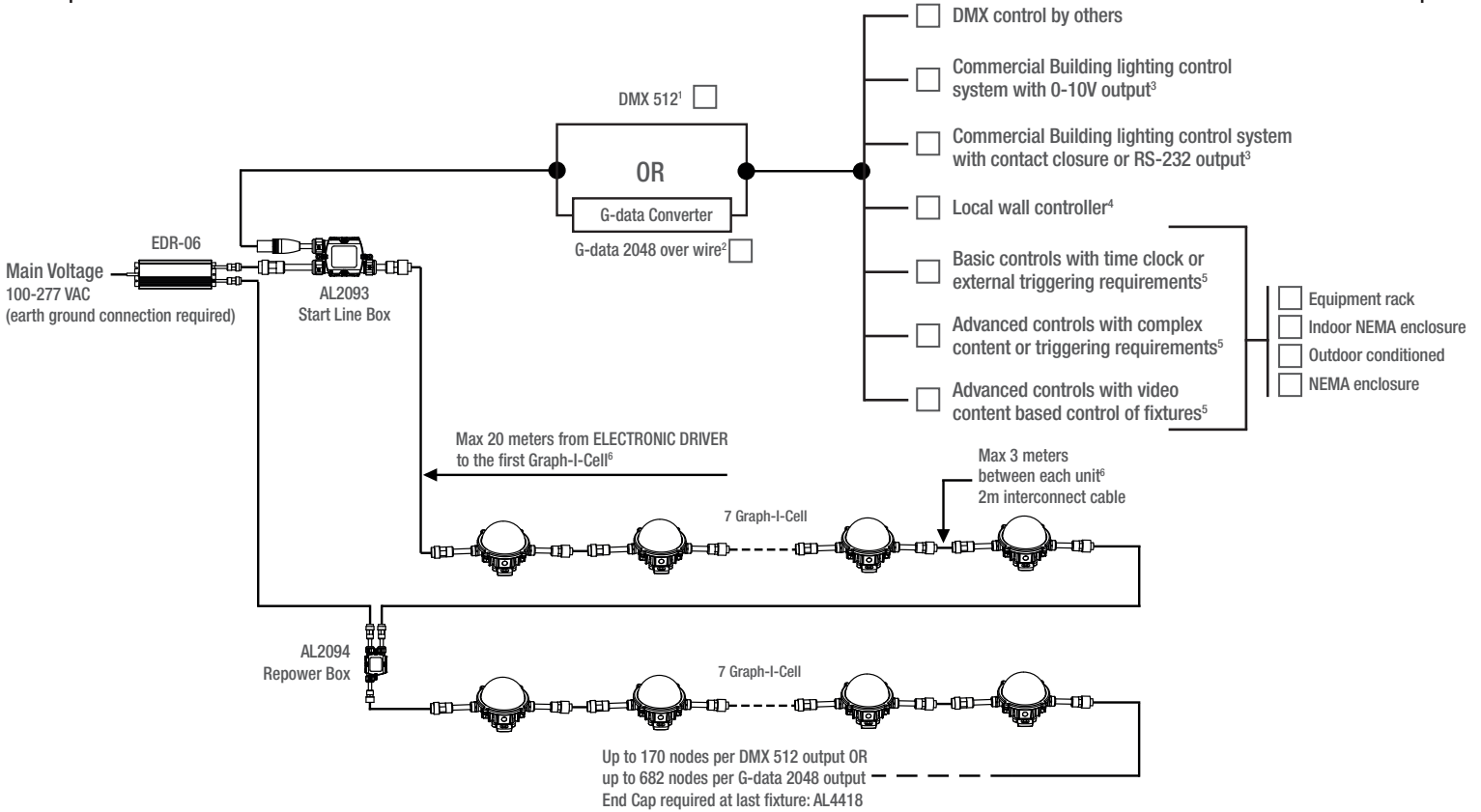
OPALINE DOME (RGB) 180°



CONTROL OPTIONS

Contact manufacturer for control system development.

Total run length limit for DMX is 984ft (300m) or G-data 492ft (150m) from controller to first node.



NOTES

1. Wired or wireless DMX available. Wire specifications are available from factory as well as approved wire for purchase.
2. Griven proprietary protocol output from Artnet input. Not available with some control options. Contact factory for more details.
3. For example: Lutron, Crestron, Encelium, Douglas, ETC by others. Griven control system will interface with building lighting control system.
4. Local wall controller for small applications. Wall controllers specified separately for larger systems.
5. Contact factory for assistance with specification. Onsite commissioning by Griven of control system is required.
6. Based on 1.5mm² cable cross section. Contact factory for assistance in developing alternate configurations.

PRODUCT OPTIONS



MARINE GRADE COATING

Maximum corrosion resistance for installations near salt or brackish water.



CUSTOM WHITE LIGHT

Choose the white light you need for your project. Contact Griven USA to confirm availability of a custom CCT.



CUSTOM MONOCHROME

Fixtures with dedicated color LEDs available. Contact Griven USA to confirm availability of a custom color.

