


PROJECT	TYPE
SPECIFIER	DATE
ORDER #	QTY

RUBY R recessed in grade luminaire offers diverse options for spotlighting or wall grazing through an extensive collection of symmetric, elliptical, and wall washing optics. It is available in RGBW, dynamic white, warm white, or cool white. Programming is easily accomplished via a remote infrared controller and will operate in DMX, automatic, or master-satellite modes for expanded versatility. The 11" diameter luminaire has an overall depth of less than six inches, making it suitable for a wide variety of installation conditions for interior or exterior applications. All hardware is stainless steel.

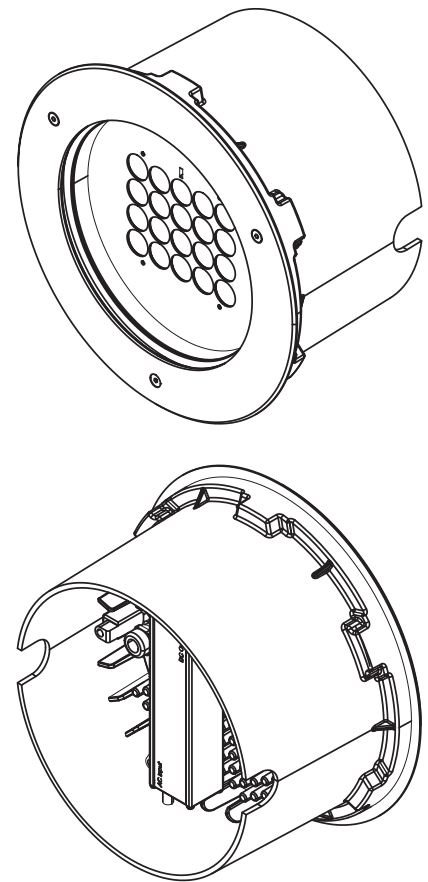
## PRODUCT SPECIFICATIONS

LUMEN OUTPUT	2238 lumens @ 7° CW (see pg 3 for output values of all standard colors)
EFFICACY	60.5 (lm/W) CW
LUMEN MAINTENANCE	100,000 hours L70 @ 25°C*
COLOR	RGBW (6500K white), DW (2700-6500K), CW (6300K), WW (3000K) (see pg 4 for customization options)
OPTICS	7°, 11°, 21°, 43°, 69°, 40° x 11°, 40° x 20°, Wall Wash (Additional optics available upon request)
OPERATING TEMPERATURE	-40° to 122° F (-40° to 50°C)
HOUSING	Die-cast aluminum body with powder coat
MOUNTING	Yoke mount with locking hinge (custom mounting available upon request)
WEIGHT	10.1 lbs. (4.6 kg)
CERTIFICATION	
INGRESS PROTECTION	Wet location rated IP66
IMPACT RATING	IK09
CONTROL	Auto Control, DMX 512 (RDM E1.20), Wireless and 0-10V interfaces available
ADDITIONAL FEATURES	Automatic overtemperature protection / Keypad interface

\* LED life may vary under actual field conditions due to external factors. Lifetime estimates are generated from actual testing in a controlled environment, Griven values are conservatively derived from those numbers.

## ELECTRICAL SPECIFICATIONS

INPUT VOLTAGE	100-277 VAC @ 50-60Hz
POWER CONSUMPTION	37W .32A @ 115VAC, .14A @ 277VAC (RGBW)
POWER FACTOR	>.98 @ 115VAC, >.92 @ 277VAC
PROTECTION	Self-resetting fuse

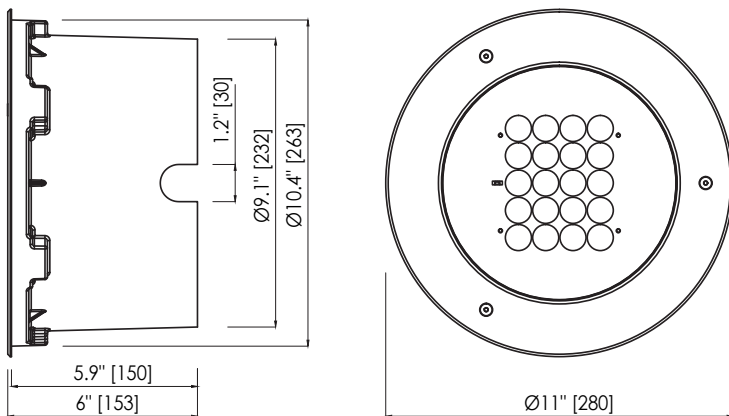


IP66 / IK09 / CE / 

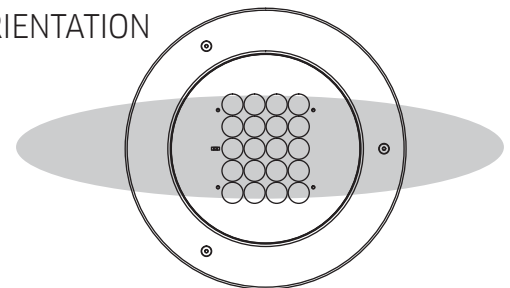
## HOW TO ORDER

RB280		UNV			
PART	COLOR	VOLTAGE	OPTIC	ORIENTATION	OPTIONS
	RGBW	UNV 100-277V	SP Spot 7°	H Horizontal	SD Spreading Diffuser (consult factory)
	DW 2700-6500K		NB Narrow 11°	V Vertical	ATS Anti-Slip Treatment
	CW 6300K		MB Medium 21		
	WW 3000K		WB Wide 43°		
	CCW Custom White		EXWB Extra Wide 69°		
	CCM Custom Monochrome		ELLB Elliptical 40° x 11°		
			ELWB Elliptical Wide 40° x 20°		
			WW Wall Wash/ Assymmetric		

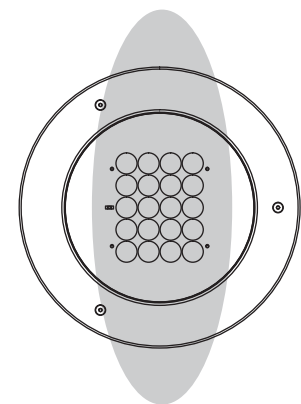
## DIMENSIONAL DRAWINGS



## OPTIC ORIENTATION



HORIZONTAL MODE (Standard)



VERTICAL MODE (On Request)

## PHOTOMETRICS

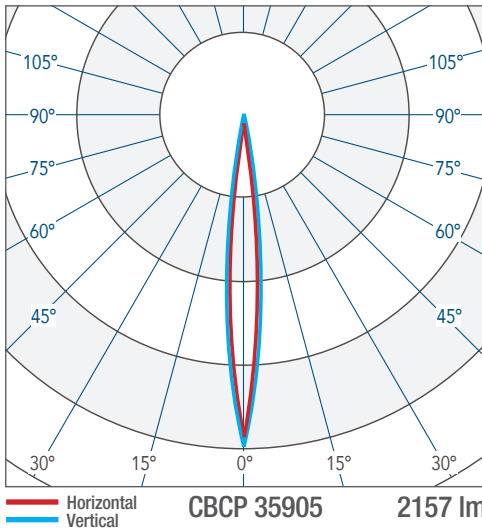
### LIGHT OUTPUT

Photometric data based on cool white LEDs. Use multiplier to determine lumen and CBCP output for RGBW, DW, or WW.

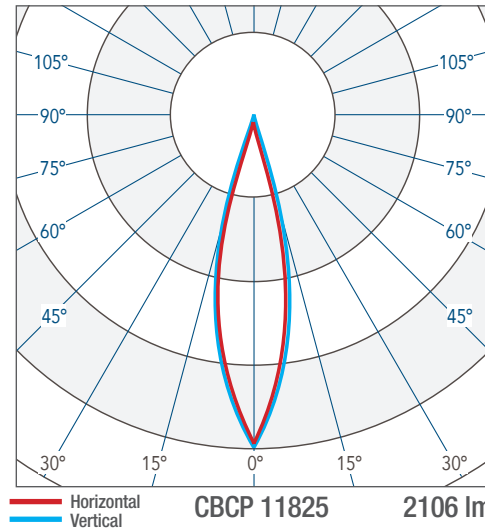
COLOR	OUTPUT MULTIPLIER
RGBW (6500K White)	.63
DW (2700-6500K)	.85
CW (6300K)	1.00
WW (3000K)	.70

CANDELA DISTRIBUTION (Optical data not currently available for Wall Wash optic)

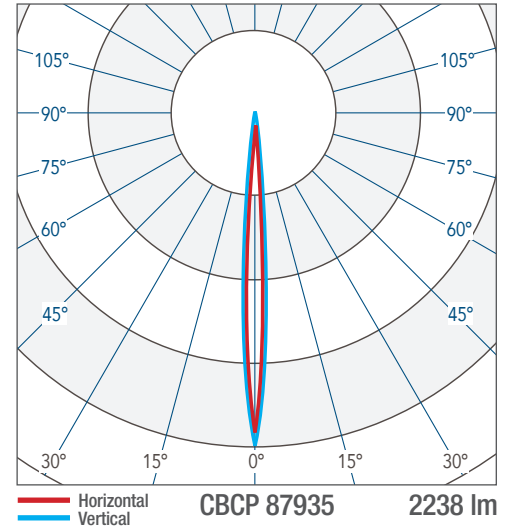
### NARROW (CW) 11°



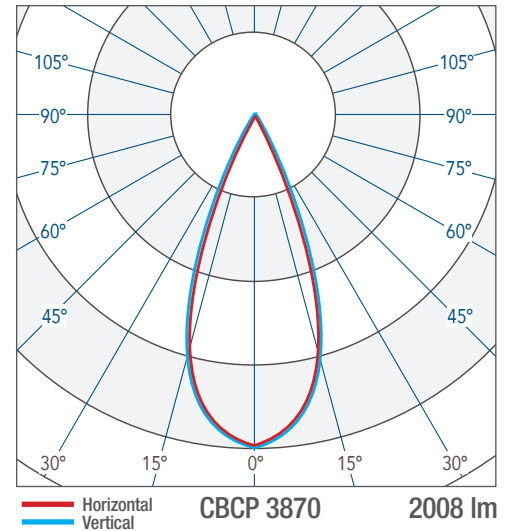
### MEDIUM (CW) 21°



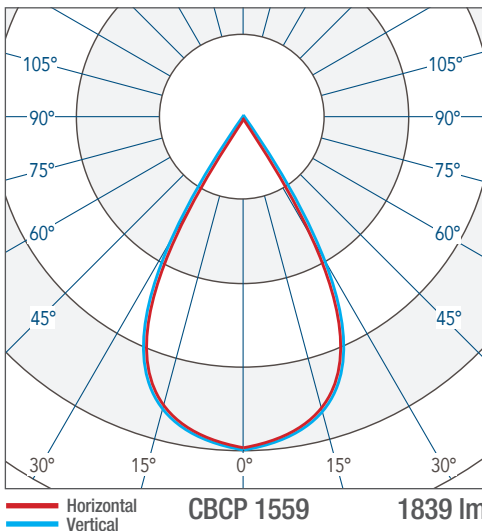
### SPOT (CW) 7°



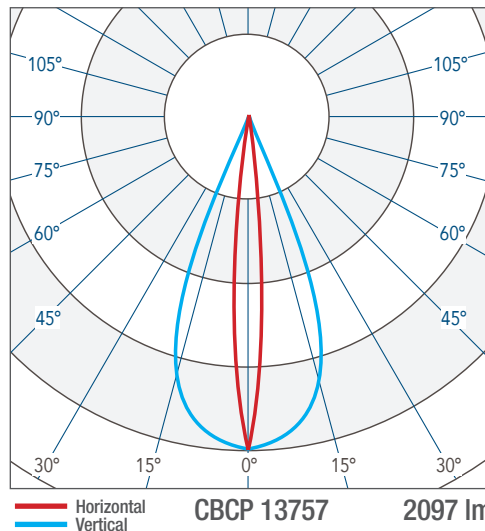
### WIDE (CW) 43°



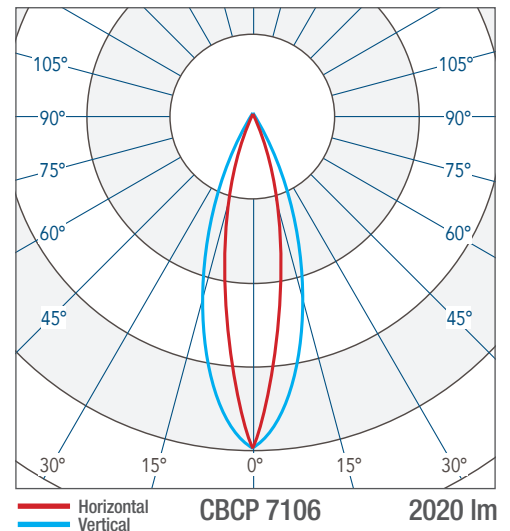
### EXTRA WIDE (CW) 69°



### ELLIPTICAL (CW) 40° x 11°



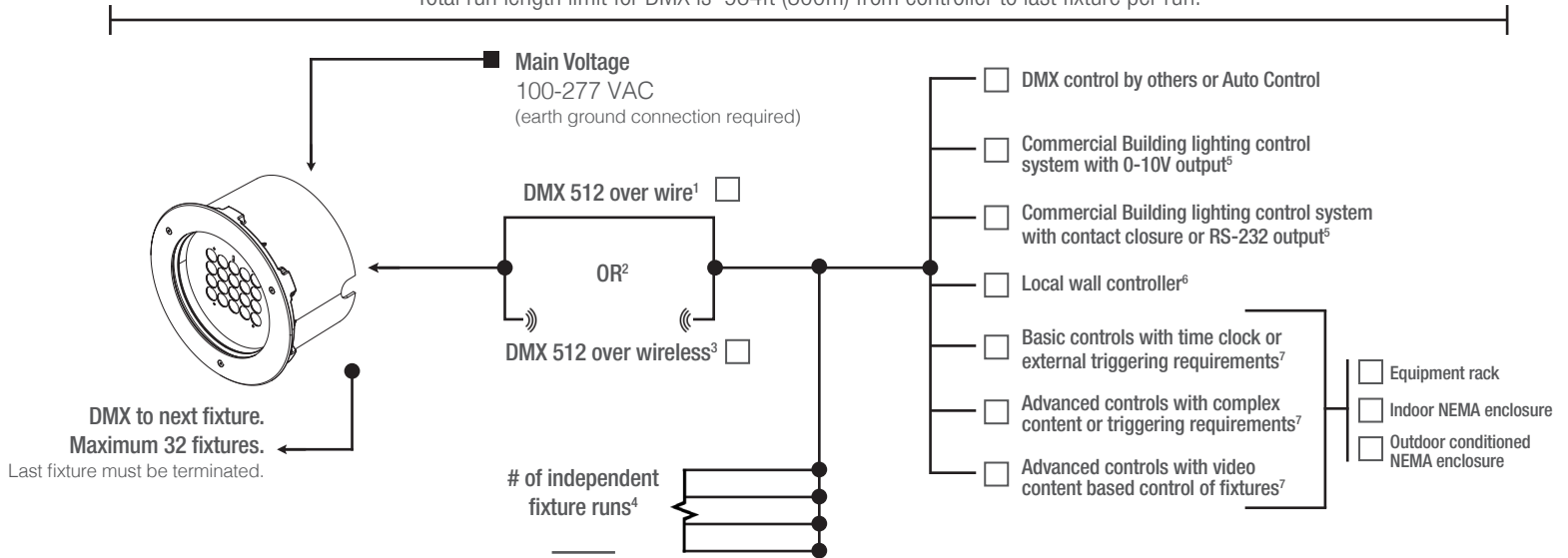
### ELLIPTICAL WIDE (CW) 40° x 20°



## CONTROL OPTIONS (DMX512, PRIMARY CONTROL PLATFORM)

Contact manufacturer for control system development.

Total run length limit for DMX is 984ft (300m) from controller to last fixture per run.



### NOTES

1. Wire specifications are available from factory as well as approved wire for purchase.
2. Other control protocol solutions available. Contact factory for more information.
3. Wireless components are external to fixture. Distance limitations based on antennas chosen and site conditions. Contact factory for more information.
4. Based on maximum of 32 fixtures per run as well as any site constraints on conveyance of data.
5. For example: Lutron, Crestron, Encelium, Douglas, ETC by others. Griven control system will interface with building lighting control system.
6. Local wall controller for small applications. Wall controllers specified separately for larger systems.
7. Contact factory for assistance with specification. Onsite commissioning by Griven of control system is required.

## PRODUCT OPTIONS



### SPREADING DIFFUSER

Die cut spreading diffusers can be added to fixture. Factory sealed in fixture for highest performance and durability. Consult factory.



### CUSTOM WHITE LIGHT

Choose the white light you need for your project. Contact Griven USA to confirm availability of a custom CCT.



### CUSTOM MONOCHROME

Fixtures with dedicated color LEDs available. Contact Griven USA to confirm availability of a custom color.

