

CAPITAL 100 US

Dynamic White



DESCRIPTION

CAPITAL 100 US accentuates the designer’s palette with an ultra-narrow 4° beam using 20 high-power LEDs fitted with precision optics. Grazing of vertical columnar features or illumination of objects at distance both benefit from the high-performance of this luminaire.



Date: _____ Type: _____ Catalog Number: _____

Project Name: _____

ORDERING INFORMATION

LUMINAIRE							
MODEL	COLOR	CONTROL	VOLTAGE	OPTIC *	FINISH §	CABLE	OPTION
CP100US Capital 100 US	DW Dynamic White (2700K to 6500K)	DMX-RDM DMX/RDM	UNV 120 - 277V	US Ultra Spot 3.2°	AG Anthracite Grey	S Power in (7.9 in.), DMX in, DMX out (59 in.)	3G 3G Mounting Yoke
					BL Black	M Monocable only (19.7 in.)	EB300 Extended 300mm Yoke
					SG Griven Silver Grey	C Monocable with connectors (19.7 in.)	EB410 Extended 410mm Yoke
					WH White		
					CC Custom Color		
					§ Contact factory for marine grade (anti-saline) finish		

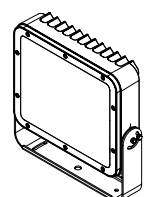
		CAPITAL 100 US
PHYSICAL	HOUSING	Die-cast aluminum
	HOUSING DIMENSIONS	11-1/8"w x 9"h x 3-1/4"d
	OVERALL DIMENSIONS	11-1/8"w x 11-1/8"h x 3-1/4"d
	WEIGHT	11.2 lbs
	EPA	0.79 ft ²
	OPERATING TEMPERATURE	-40°C to 50°C (-40°F to 122°F)

PHOTOMETRIC	LED	Dynamic White (2700K to 6500K)
	# LEDS	20 high power LEDs
	DELIVERED LUMEN OUTPUT	4021 lumens
	EFFICACY	Up to 78 lumens per watt
	L70 LUMEN MAINTENANCE	100,000 Hours @ 25°C
	# DISTRIBUTIONS	One
	LIGHT CONTROL ACCESSORIES	Visor, Snoot, Spreading Diffusers (Contact Factory)

LIGHT DISTRIBUTIONS*	DISTRIBUTION	BEAM ANGLE	LUMENS	MAX CANDELA
	ULTRA SPOT	3.2°	4021	547,084

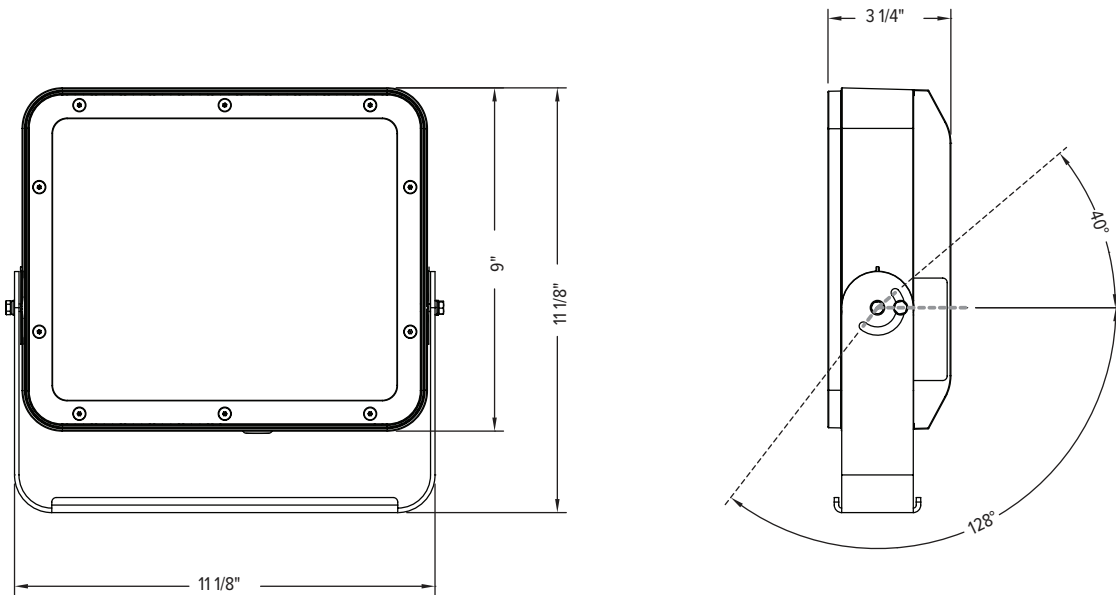
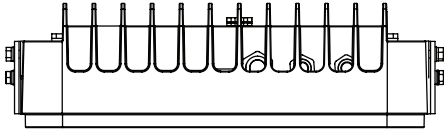
ELECTRICAL <small>* Values based on full output</small>	POWER CONSUMPTION	51 watts max
	AMPERAGE	0.4 A @ 120VAC 0.2 A @ 277VAC
	CONTROL	DMX-RDM. Includes onboard standalone sequencing or master-satellite operation without DMX control systems when programmed with infra-red configuration remote (Ordering code AL1321)
	MODES	

CERTIFICATIONS	SAFETY	ETL Listed for Wet Locations
	INGRESS PROTECTION	IP67
	IMPACT RATING	IK09
	EUROPEAN	RoHS

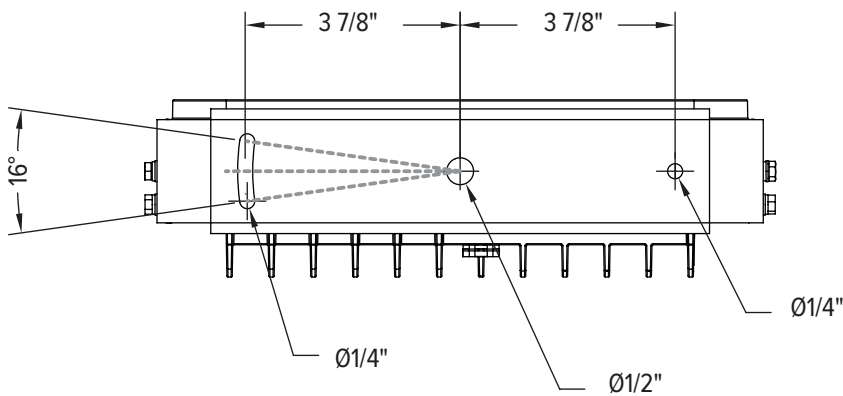


DIMENSIONS

All dimensions are shown in inches unless otherwise noted.



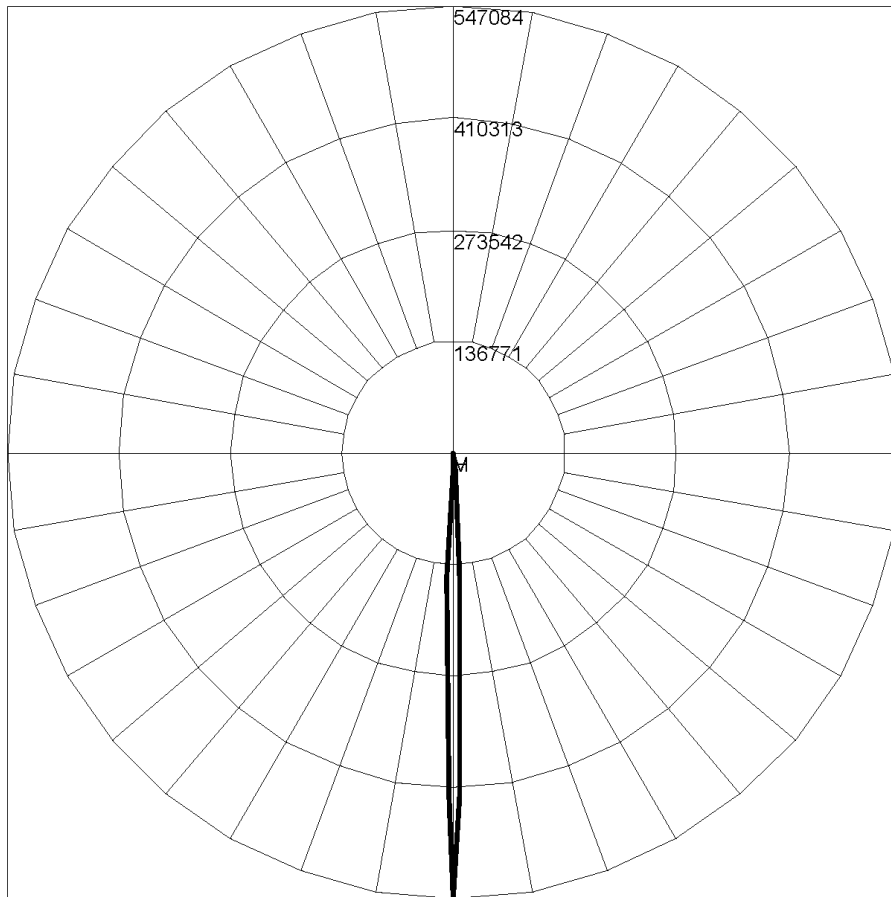
MOUNTING



PHOTOMETRICS - DYNAMIC WHITE CANDELA DISTRIBUTION 

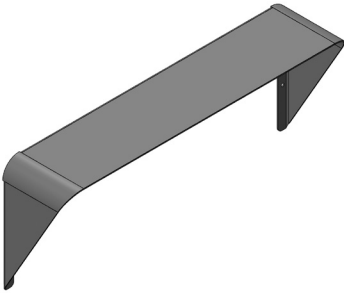
ULTRA SPOT 3.2°

Maximum Candela = 547084 / 4021 lms per luminaire

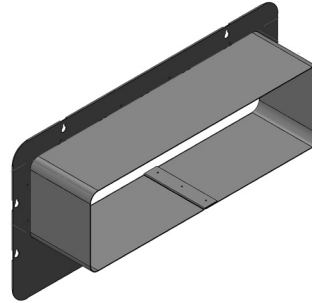


Maximum Candela = 547084.2 Located At Horizontal Angle = 0, Vertical Angle = 0
H - Horizontal Axial Candela
V - Vertical Axial Candela

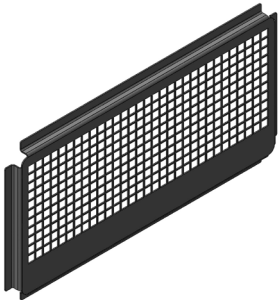
ACCESSORIES



AL8232- XX*
Visor



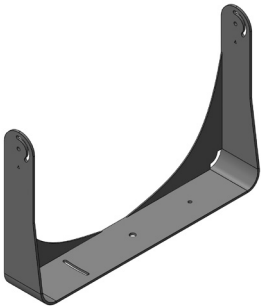
AL8233- XX*
Snoot



AL8234- XX*
Wire Guard



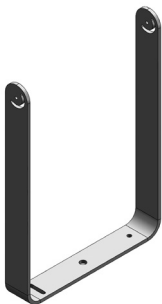
AL1321
Infrared Configuration Remote



AL8258- XX*
3G Mounting Yoke



AL8227- XX*
300mm Yoke



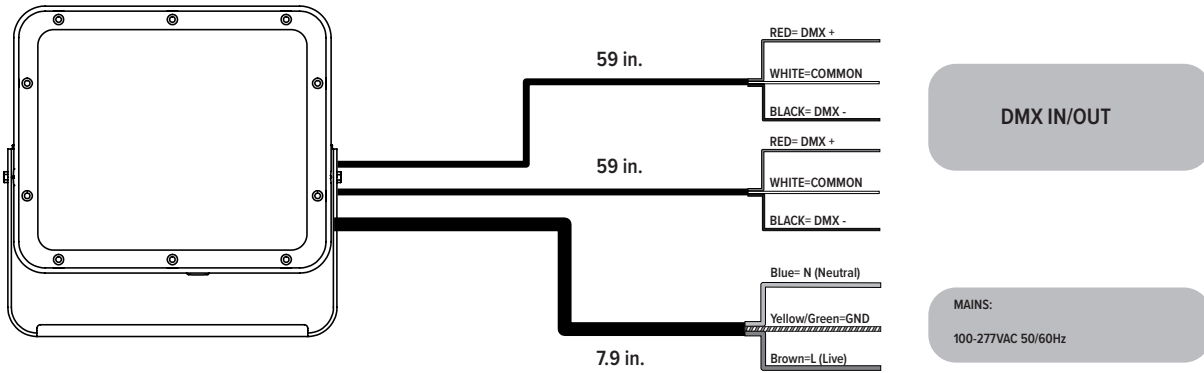
AL8228- XX*
410 mm Yoke

XX*- ACCESSORY FINISHES

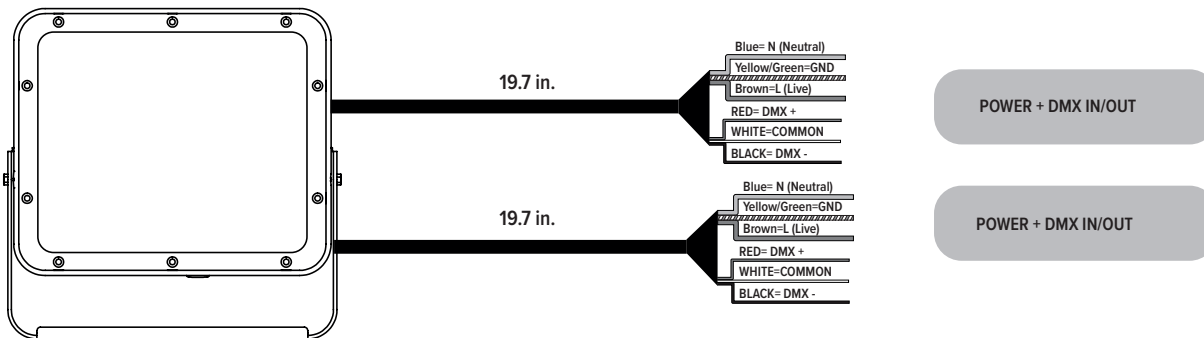
AG	Anthracite Grey
BL	Black
SG	Griven Silver Grey
WH	White
CC	Custom Color

Connection

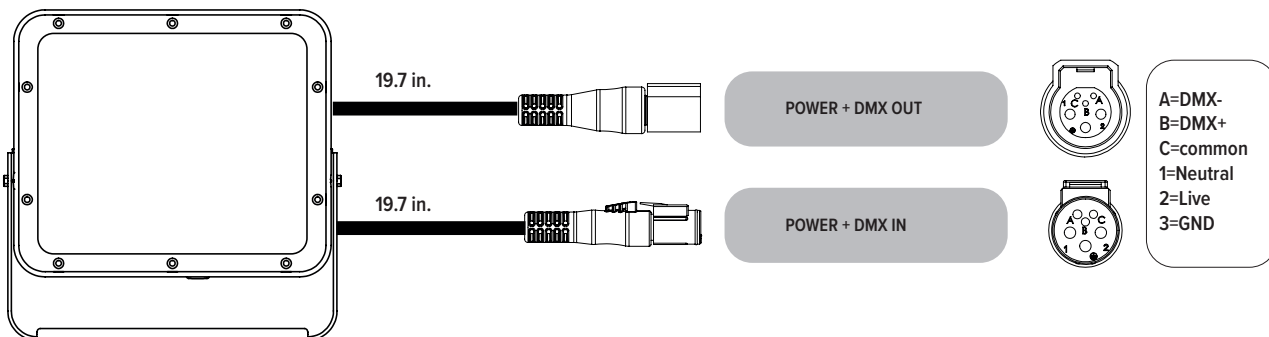
“S” type cable (Power in, DMX In, DMX Out)



“M” type cable (Monocable without connectors)



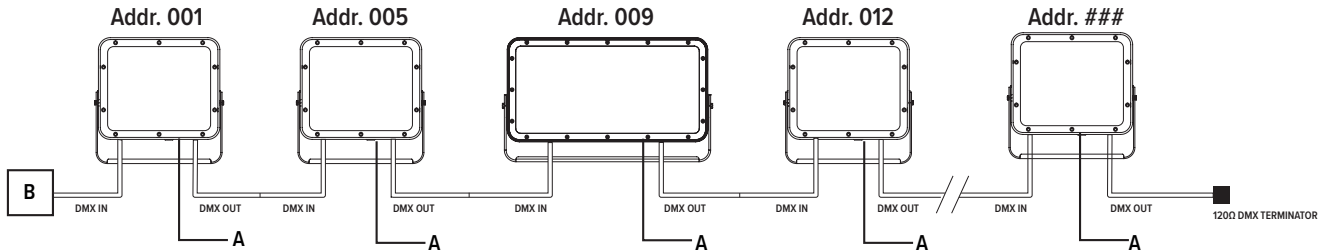
“C” type cable (Monocable + connectors)



Note: the power and signal connections of S and M cable types can be carried out by using the connection kit included in the packing box. Follow the instructions provided along with the connection kit.

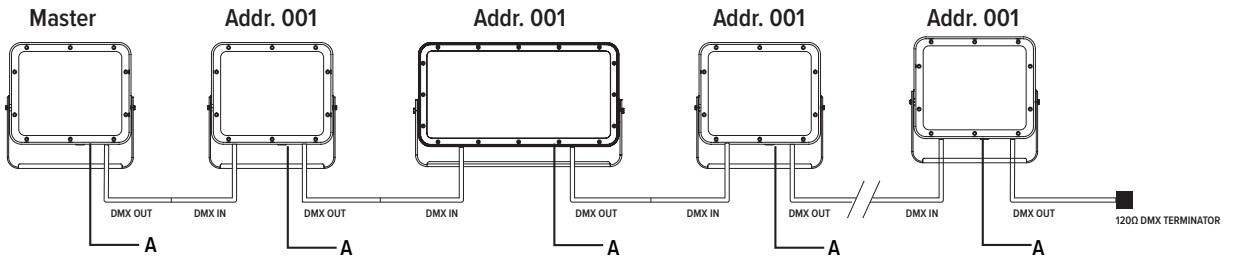
Operating modes

DMX Mode



Example with fixtures set to 4 DMX channels

Master-Slave / Automatic / Fixed color Mode (Only DMX Mode #1)



WARNING ! in this mode, no DMX control device must be present along the line.