

DESCRIPTION

CAPITAL 200 US accentuates the designer’s palette with an ultra-narrow 4° beam using 40 high-power LEDs fitted with precision optics. Grazing of vertical columnar features or illumination of objects at distance both benefit from the high-performance of this luminaire.



Date: _____ Type: _____ Catalog Number: _____

Project Name: _____

ORDERING INFORMATION

| LUMINAIRE | | | | | | | |
|---------------------------|----------------------------|--------------------|-------------------|-----------------------|---|---|------------------------|
| MODEL | COLOR | CONTROL | VOLTAGE | OPTIC | FINISH § | CABLE | OPTION |
| CP200US Capital 200 US | RGBW RGBW (4000K White) | DMX-RDM DMX/RDM | UNV 120 - 277V | US Ultra Spot 3.2° | AG Anthracite Grey | S Power in (7.9 in.), DMX in, DMX out (59 in.) | 3G 3G Mounting Yoke |
| | | | | | BL Black | M Monocable only (19.7 in.) | |
| | | | | | SG Griven Silver Grey | C Monocable with connectors (19.7 in.) | |
| | | | | | WH White | | |
| | | | | | CC Custom Color | | |
| | | | | | § Contact factory for marine grade (anti-saline) finish | | |

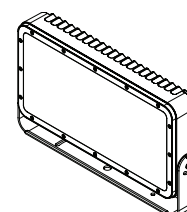
| | | CAPITAL 200 US |
|----------|-----------------------|--------------------------------|
| PHYSICAL | HOUSING | Die-cast aluminum |
| | HOUSING DIMENSIONS | 18.70"w x 8.94"h x 3.54"d |
| | OVERALL DIMENSIONS | 18.70"w x 10.88"h x 3.54"d |
| | WEIGHT | 21 lbs |
| | EPA | 1.33 ft ² |
| | OPERATING TEMPERATURE | -40°C to 50°C (-40°F to 122°F) |

| | | |
|-------------|---------------------------|---|
| PHOTOMETRIC | LED | RGBW (4000K) |
| | # LEDS | 40 high power LEDs |
| | DELIVERED LUMEN OUTPUT | 4479 lumens |
| | EFFICACY | 46 lumens per watt |
| | L70 LUMEN MAINTENANCE | 100,000 Hours @ 25°C |
| | # DISTRIBUTIONS | Ultra Spot |
| | LIGHT CONTROL ACCESSORIES | Visor, Snoot, Wire Guard, Spreading Diffusers (Contact Factory) |

| LIGHT DISTRIBUTIONS* | DISTRIBUTION | BEAM ANGLE | LUMENS | MAX CANDELA |
|-------------------------------|--------------|------------|--------|-------------|
| * Values based on full output | ULTRA SPOT | 3.2° | 4479 | 609,376 |

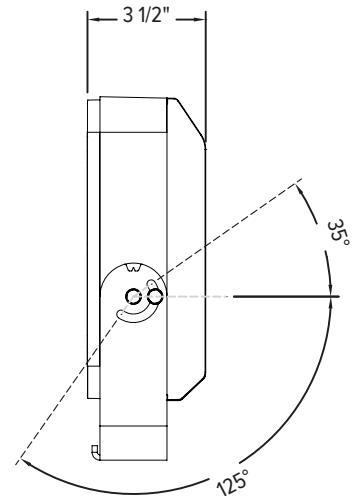
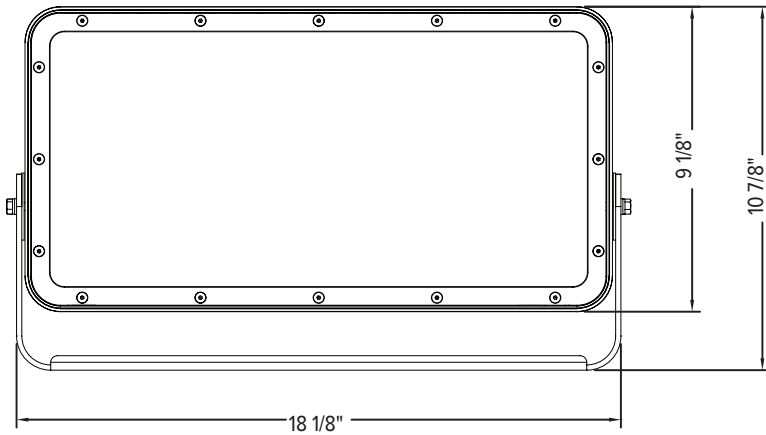
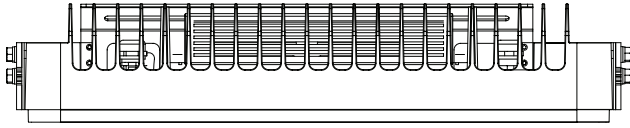
| | | |
|------------|-------------------|---|
| ELECTRICAL | POWER CONSUMPTION | 106 watts max |
| | AMPERAGE | 1.0A @ 120V or 0.4A @ 277V |
| | CONTROL | DMX/RDM. Includes onboard standalone sequencing or master-satellite operation without DMX control systems when programmed with infra-red configuration remote (Ordering code AL1321) |
| | MODES | |

| | | |
|----------------|--------------------|------------------------------|
| CERTIFICATIONS | SAFETY | ETL Listed for Wet Locations |
| | INGRESS PROTECTION | IP67 |
| | IMPACT RATING | IK09 |
| | EUROPEAN | RoHS |

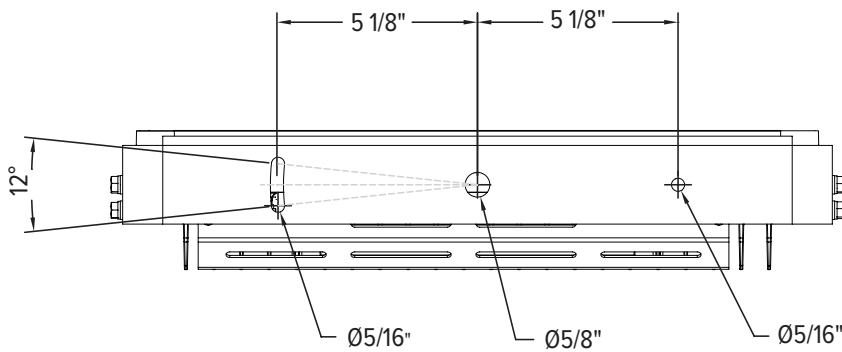


DIMENSIONS

All dimensions are shown in inches unless otherwise noted.



MOUNTING

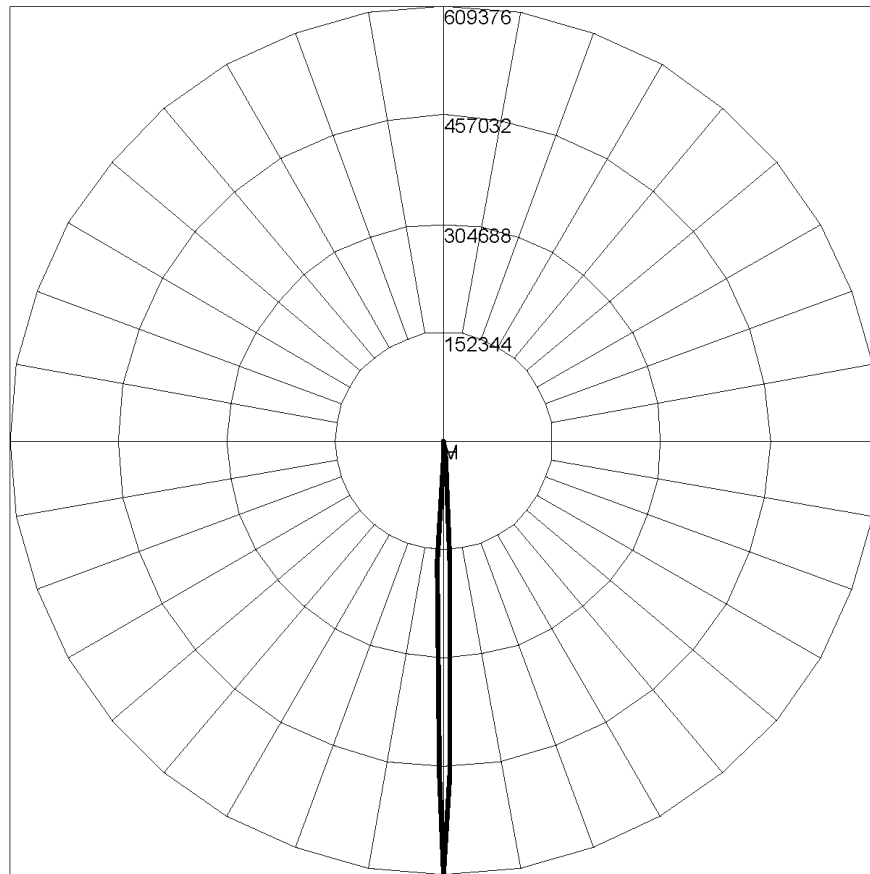


PHOTOMETRICS - RGBW CANDELA DISTRIBUTION

— HORIZONTAL
— VERTICAL

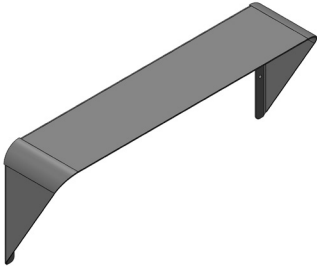
ULTRA SPOT 3.2°

Maximum Candela = 609376 / 4479 lms

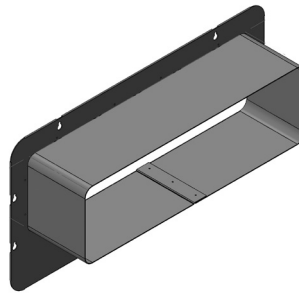


Maximum Candela = 609376.09 Located At Horizontal Angle = 0, Vertical Angle = 0
H - Horizontal Axial Candela
V - Vertical Axial Candela

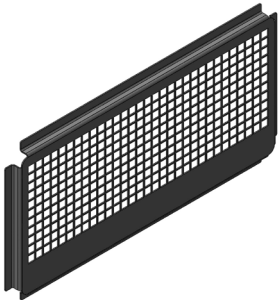
ACCESSORIES



AL8229-XX*
Visor



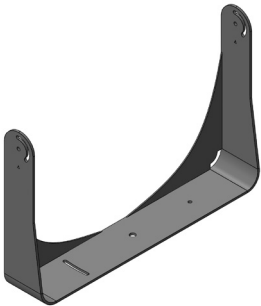
AL8230-XX*
Snoot



AL8231-XX*
Wire Guard



AL1321
Infrared Configuration Remote



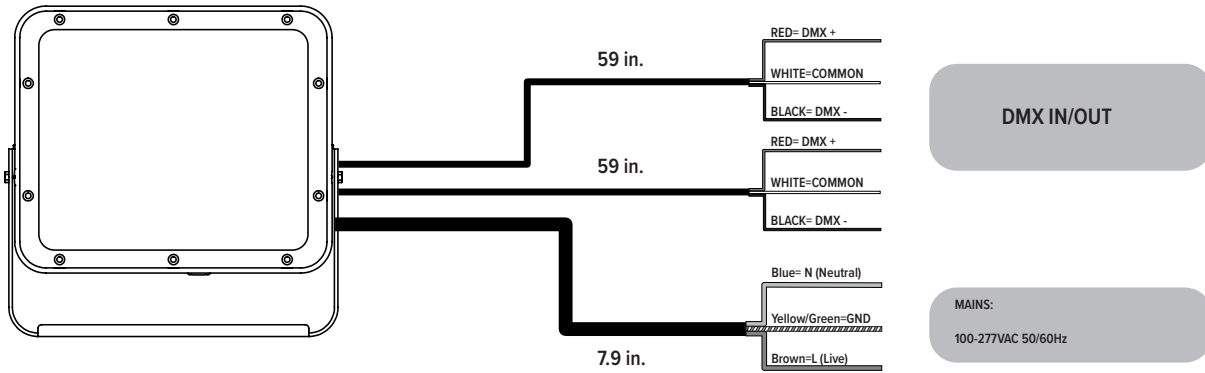
AL8259-XX*
3G Mounting Yoke

XX*- ACCESSORY FINISHES

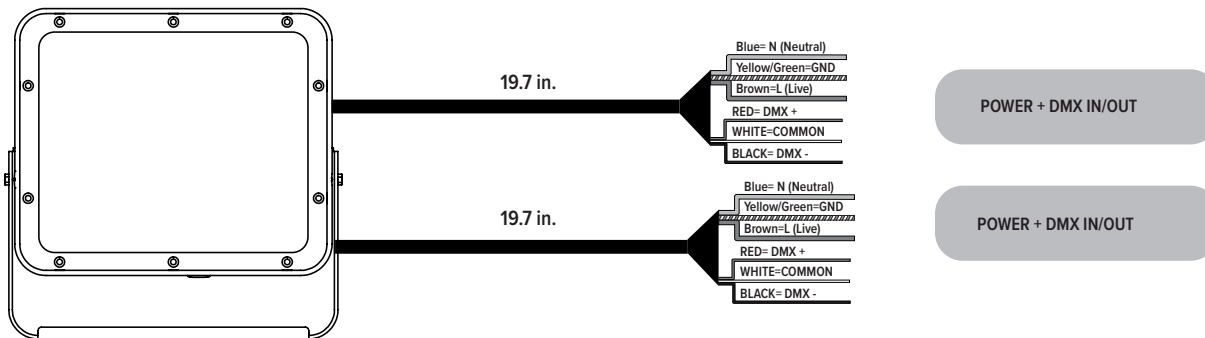
| | |
|----|--------------------|
| AG | Anthracite Grey |
| BL | Black |
| SG | Griven Silver Grey |
| WH | White |
| CC | Custom Color |

Connection

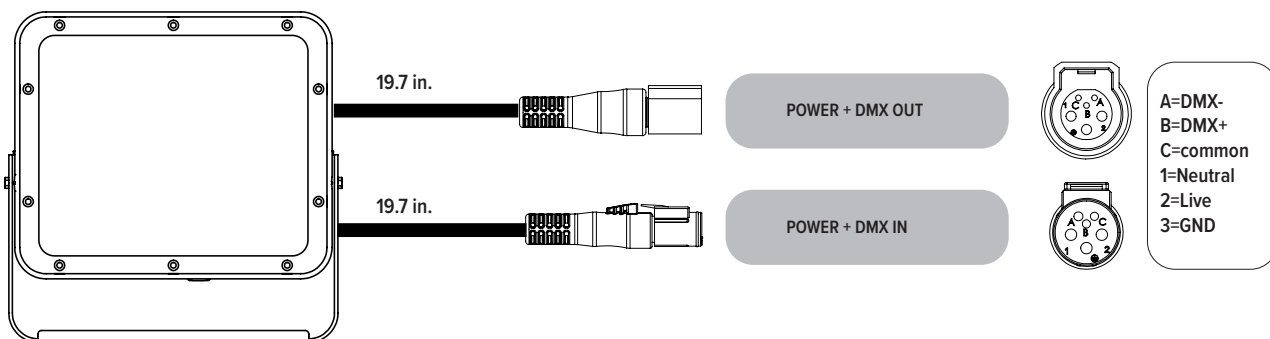
“S” type cable (Power in, DMX In, DMX Out)



“M” type cable (Monocable without connectors)



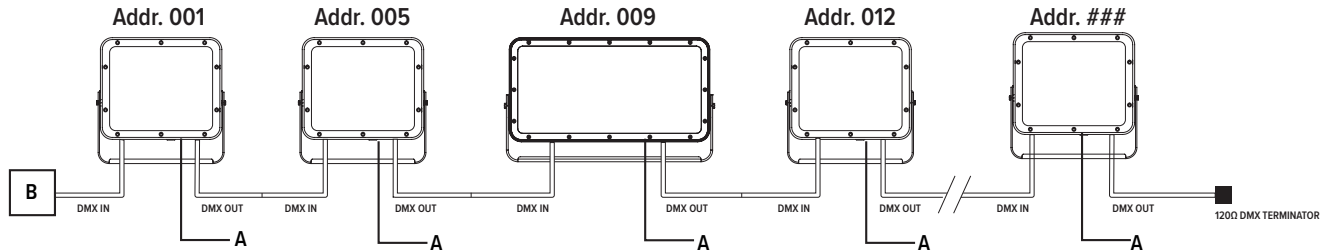
“C” type cable (Monocable + connectors)



Note: the power and signal connections of S and M cable types can be carried out by using the connection kit included in the packing box. Follow the instructions provided along with the connection kit.

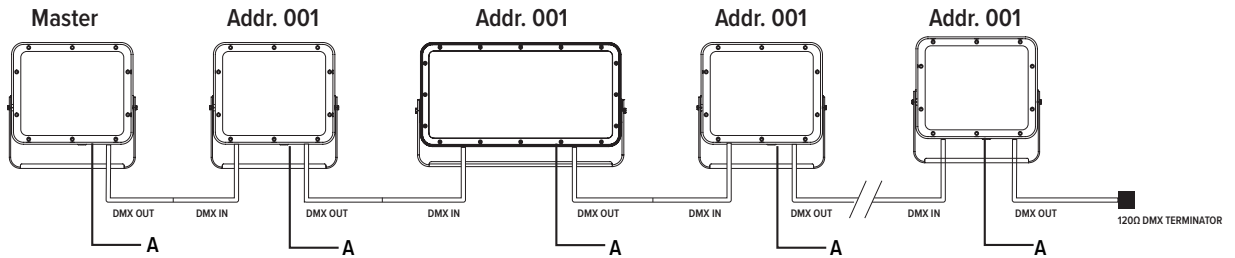
Operating modes

DMX Mode



Example with fixtures set to 4 DMX channels

Master-Slave / Automatic / Fixed color Mode (Only DMX Mode #1)



WARNING ! in this mode, no DMX control device must be present along the line.