

DESCRIPTION

CAPITAL 100 delivers remarkable performance from a strikingly compact body. Tailored to the demanding needs of the most imaginative architectural lighting specifications, this flexible and highly versatile floodlight is suitable for a variety of installations where a reduced mounting footprint is desired.





Date: \_\_\_\_\_ Type: \_\_\_\_\_ Catalog Number: \_\_\_\_\_

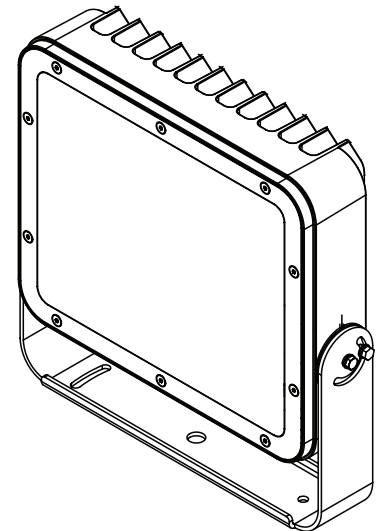
Project Name: \_\_\_\_\_

ORDERING INFORMATION

LUMINAIRE						
MODEL	COLOR	VOLTAGE	OPTIC *	FINISH §	CABLE	OPTION
CP100 Capital 100	WW Warm White (3000K)	UNV - 120 - 277V	SP - Spot 8°	AG - Anthracite Grey	S - Power in, DMX in, DMX out	3G - 3G Mounting Yoke
	NW Neutral White (4000K)		NB - Narrow 12°	BL - Black	M - Monocable only	EB300 - Extended 300mm Yoke
	CW Cool White (6500K)		MB - Medium 23°	SG - Griven Silver Grey	C - Monocable with connectors	EB410 - Extended 410mm Yoke
			WB - Wide 43°	WH - White		
			EW - Extra Wide 58°	CC - Custom Color		
			ELH - Elliptical Horizontal 42° h x 10° v	§ Contact factory for marine grade finish		
			ELV - Elliptical Vertical 10° h x 42° v			
			ELWH - Elliptical Wide Horizontal 39° h x 20° v			
			ELWV - Elliptical Wide Vertical 20° h x 39° v			
			WW - Wall Wash 36° h x 15° v			
			* Contact factory for internal spreading diffusers			

PRODUCT SPECIFICATIONS

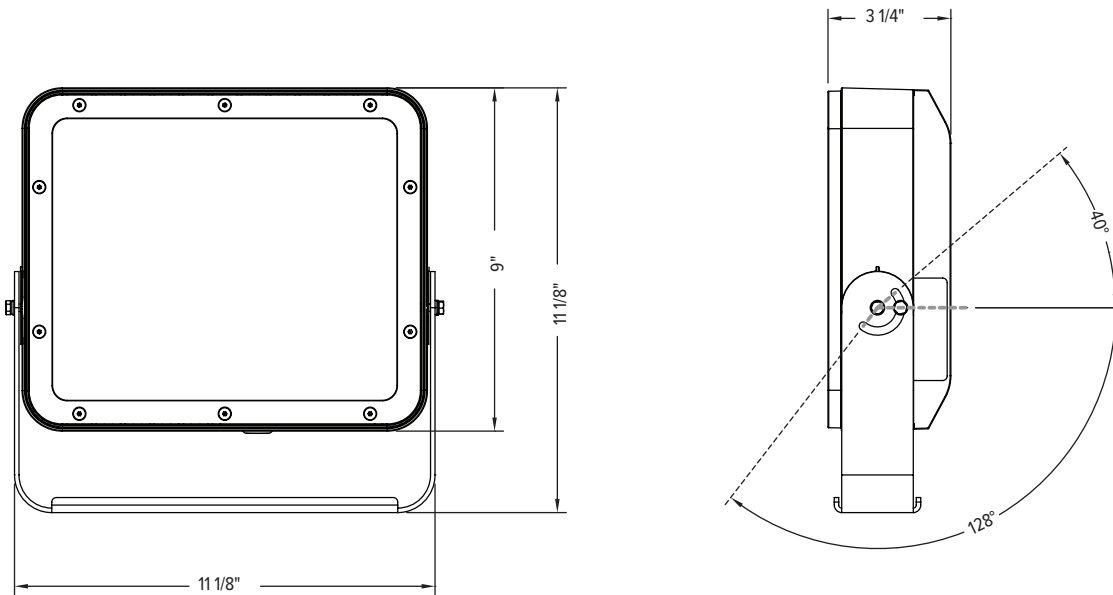
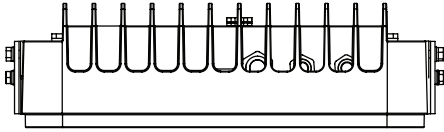
Housing	Die-cast aluminum body
Mounting	Yoke mount with locking hinge. 3G and extended mounting yokes in 300mm and 410mm lengths ship installed when ordered as luminaire option.
Optics	Spot 12°, Narrow 15°, Medium 25°, Wide 47°, Extra Wide 58°, Elliptical 39°h x 14°v, Elliptical Wide 37°h x 23°v, Wall Wash 38°h x 19°v w/ 5° incline
Color	Static Warm (3000K) / Neutral (4000K) / Cool (6500K)
Lumen Output	Up to 7665 lumens depending on distribution
Power Consumption	0.31A @ 230V / 69W max
Efficacy	Up to 111 lumens per watt
Lumen Maintenance	100,000 hours L70 @ 25°C*
Operating Temperature	-40°C to 50°C (-40°F to 122°F)
Weight / EPA	12lbs / 0.79ft <sup>2</sup>
Certification	<b>IK09 / CE</b> /  / 
Ingress Protection	IP67
Control	DMX-RDM, standalone onboard sequencing, or master-satellite operation



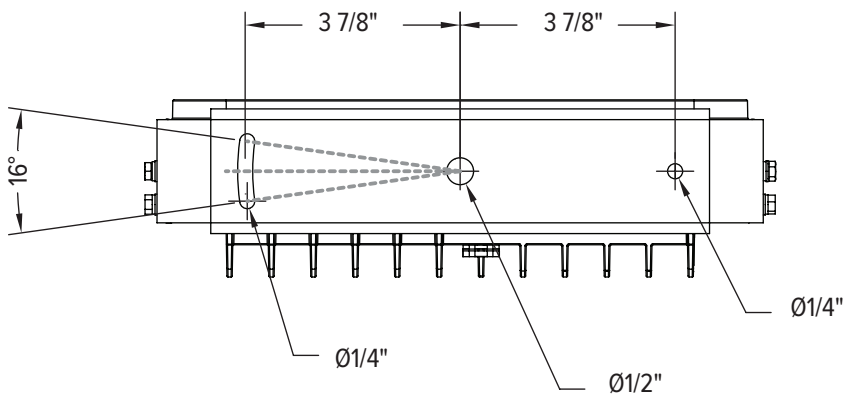
\* LED life may vary under actual field conditions due to external factors. Lifetime estimates are generated from actual testing in a controlled environment. Griven values are conservatively derived from those numbers.

DIMENSIONS

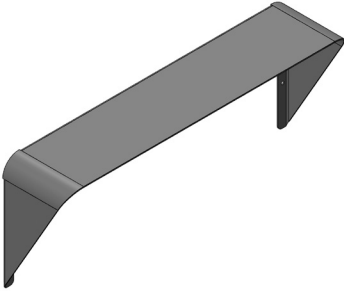
All dimensions are shown in inches unless otherwise noted.



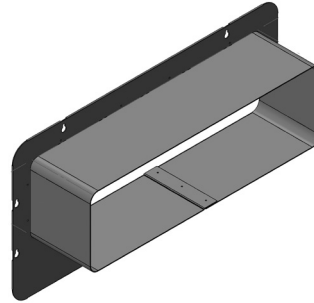
MOUNTING



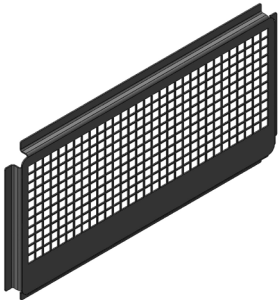
ACCESSORIES



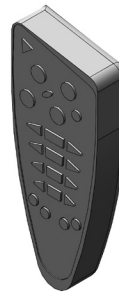
**AL8232**  
Visor



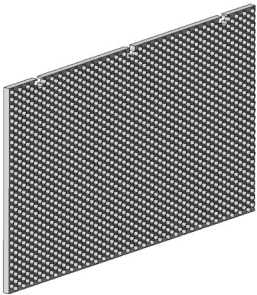
**AL8233**  
Snoot



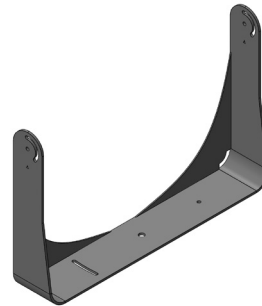
**AL8234**  
Wire Guard



**AL1321**  
Infrared Remote Control



**AL8272**  
Honeycomb Louver



**AL8258**  
3G Mounting Yoke



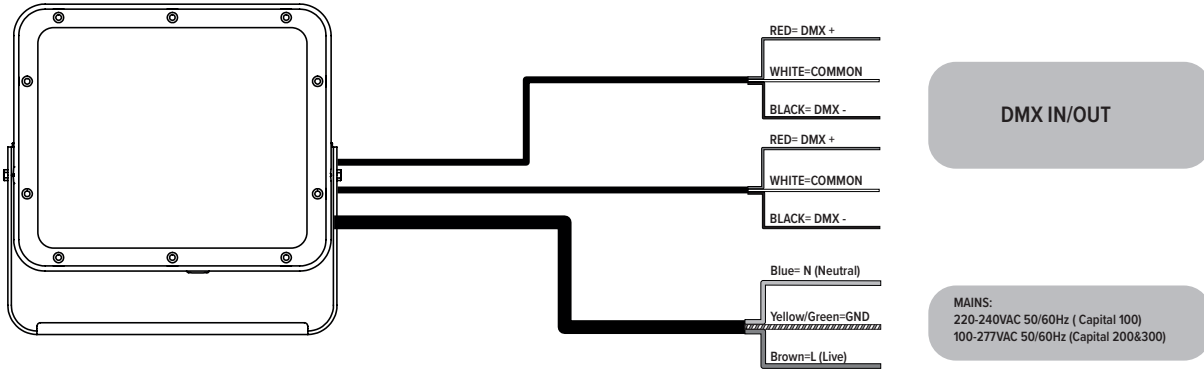
**AL8227**  
300mm Yoke



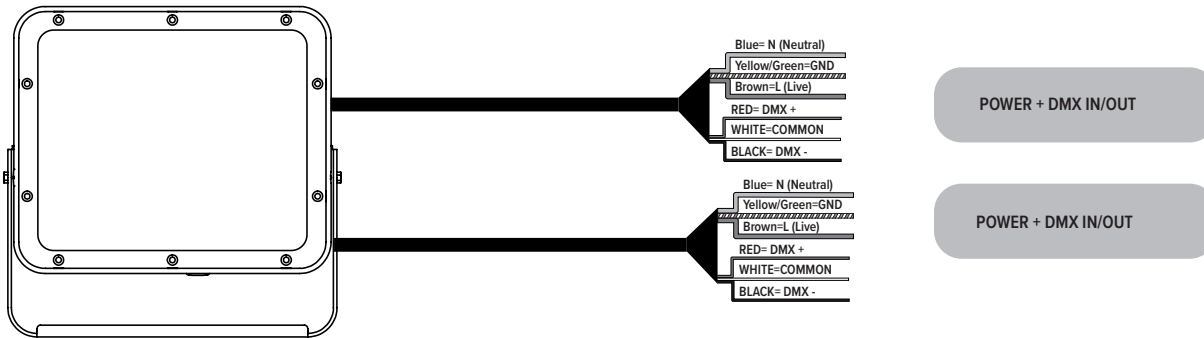
**AL8228**  
410 mm Yoke

Connection

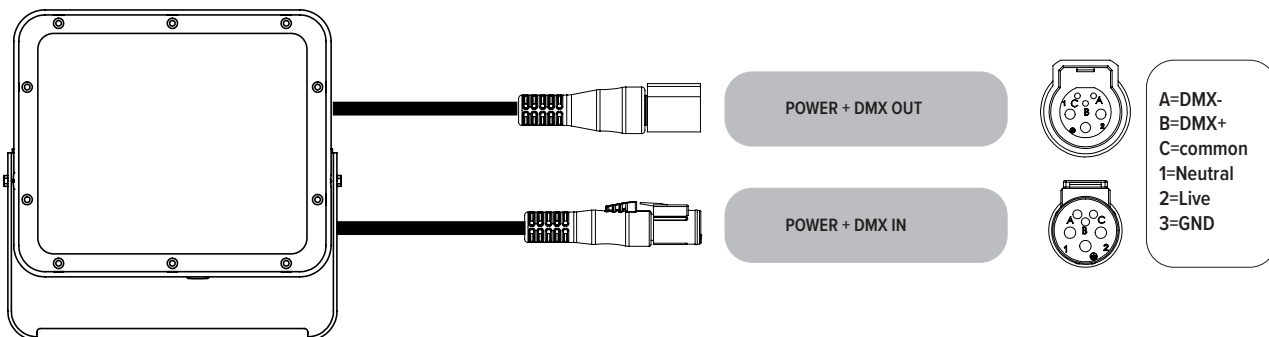
“S” type cable ( Power in, DMX In, DMX Out )



“M” type cable ( Monocable without connectors )



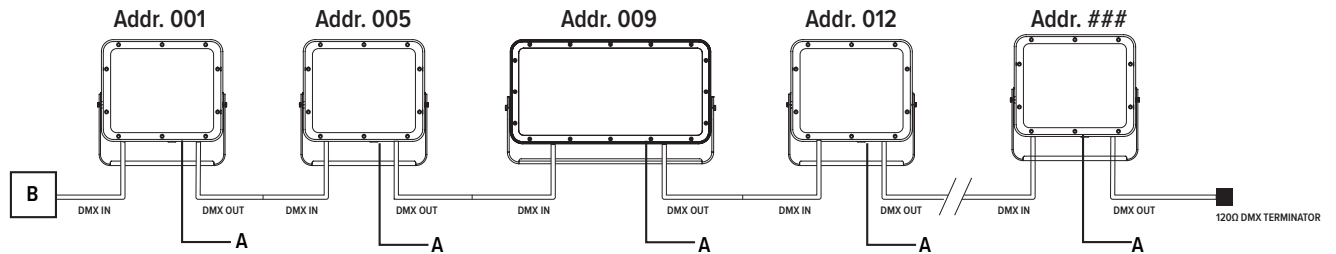
“C” type cable ( Monocable + connectors )



Note: the power and signal connections of S and M cable types can be carried out by using the connection kit included in the packing box. Follow the instructions provided along with the connection kit.

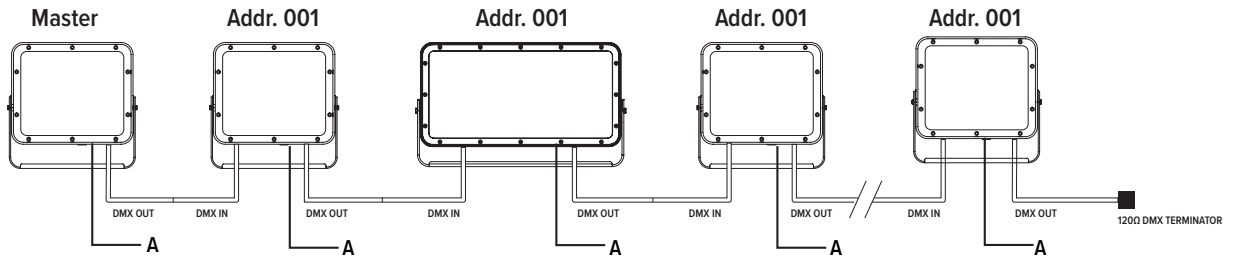
Operating modes

DMX Mode



Example with fixtures set to 4 DMX channels

Master-Slave / Automatic / Fixed color Mode ( Only DMX Mode #1 )



**WARNING !** in this mode, no DMX control device must be present along the line.